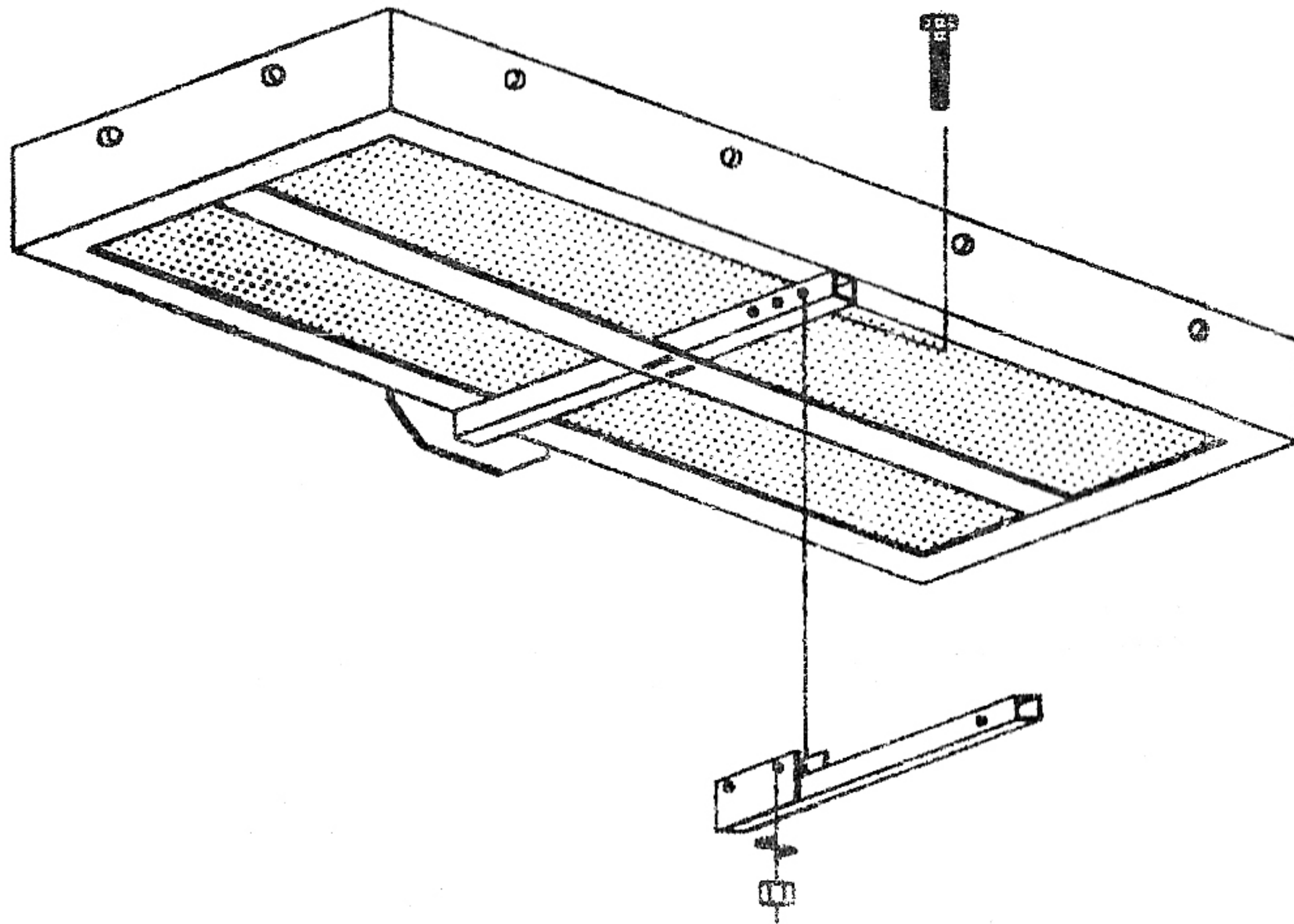


49001

INSTALLATION INSTRUCTIONS

1. Line up holes on basket with receiver tube part that inserts into hitch receiver.
2. Insert 1/2"-13 bolts through holes in 1/4" plate and through holes in basket.
3. Install receiver tube into hitch receiver then pin.



HARDWARE LIST

- 2 - 5/8"-11 x 3 1/2" Bolts
- 2 - 5/8" Lock Washers
- 2 - 5/8"-11 Nuts

FIT LIST

WARNING: ALTHOUGH THIS HITCH IS DESIGNED TO SAFELY CARRY THE LOADS SPECIFIED, UNDER NO CIRCUMSTANCES DO WE RECOMMEND EXCEEDING THE TOWING VEHICLE MANUFACTURER'S RECOMMENDED TOWING CAPABILITIES. ALWAYS USE SAFETY CHAINS AND TRAVEL AT A SAFE SPEED.

