

## To fold

1. Undo the four touch-fastening straps (5).
2. Fold the canopy supports (8) flat.
3. Pull up both side locks (2).
4. Fold the pet stroller.
5. Secure the side safety lock (1).

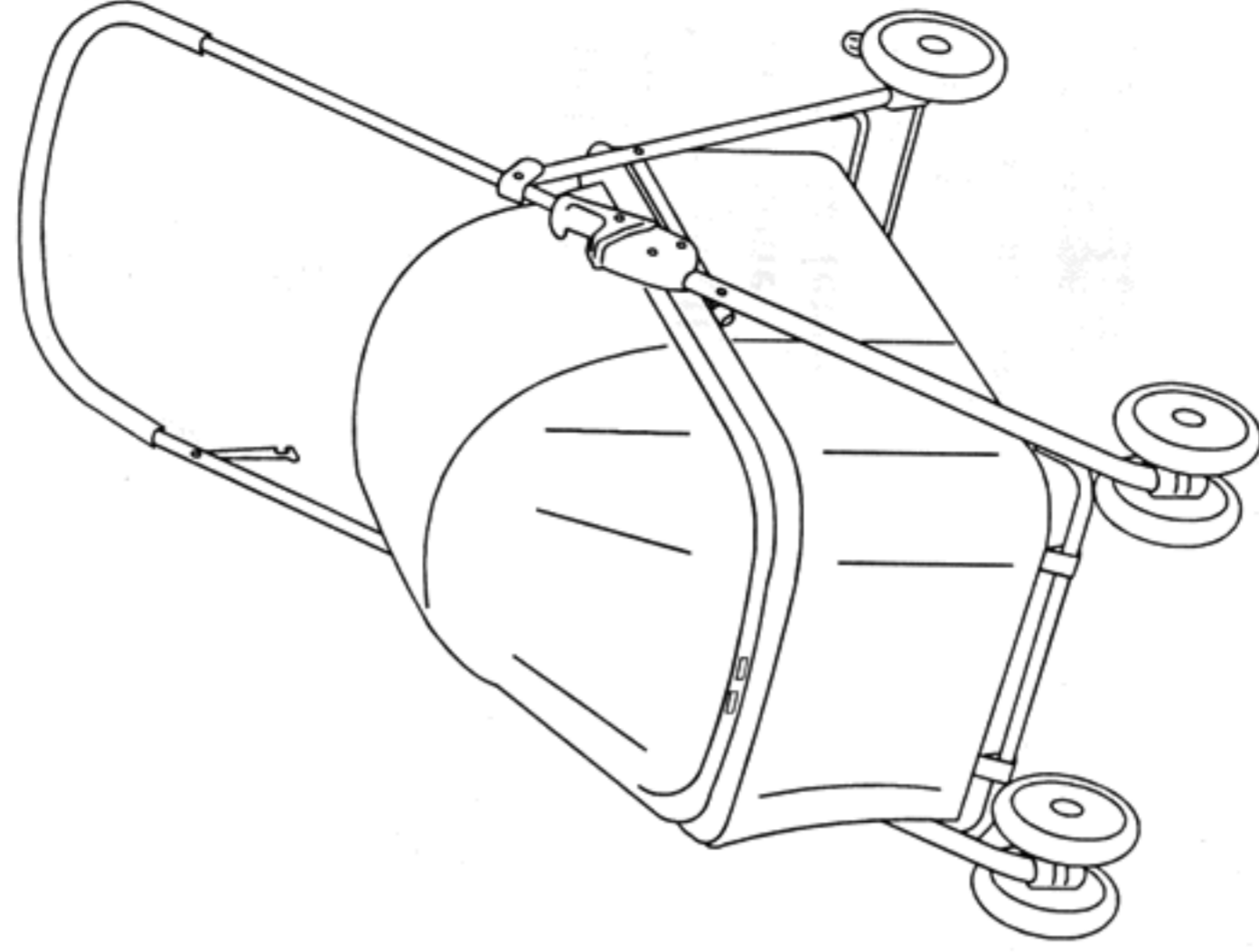


## Cleaning and maintenance

1. Undo the four touch-fastening straps (5).
2. Release the upper rim of the pet carrier from the four half moon clips (3) on the main frame (4) of the pet stroller.
3. Unscrew the four screws in the main frame and remove the canopy supports (7).
4. Slide off the lining.
5. Undo the touch-fastening straps (5) and remove the hard base.
6. Wipe clean the main cover with a damp cloth.
7. Unzip cushion cover, remove sponge inner and hand wash cover in lukewarm water.

Please read these instructions carefully before use and keep in a safe place for future reference.

# PET STROLLER USE INSTRUCTION



## Important

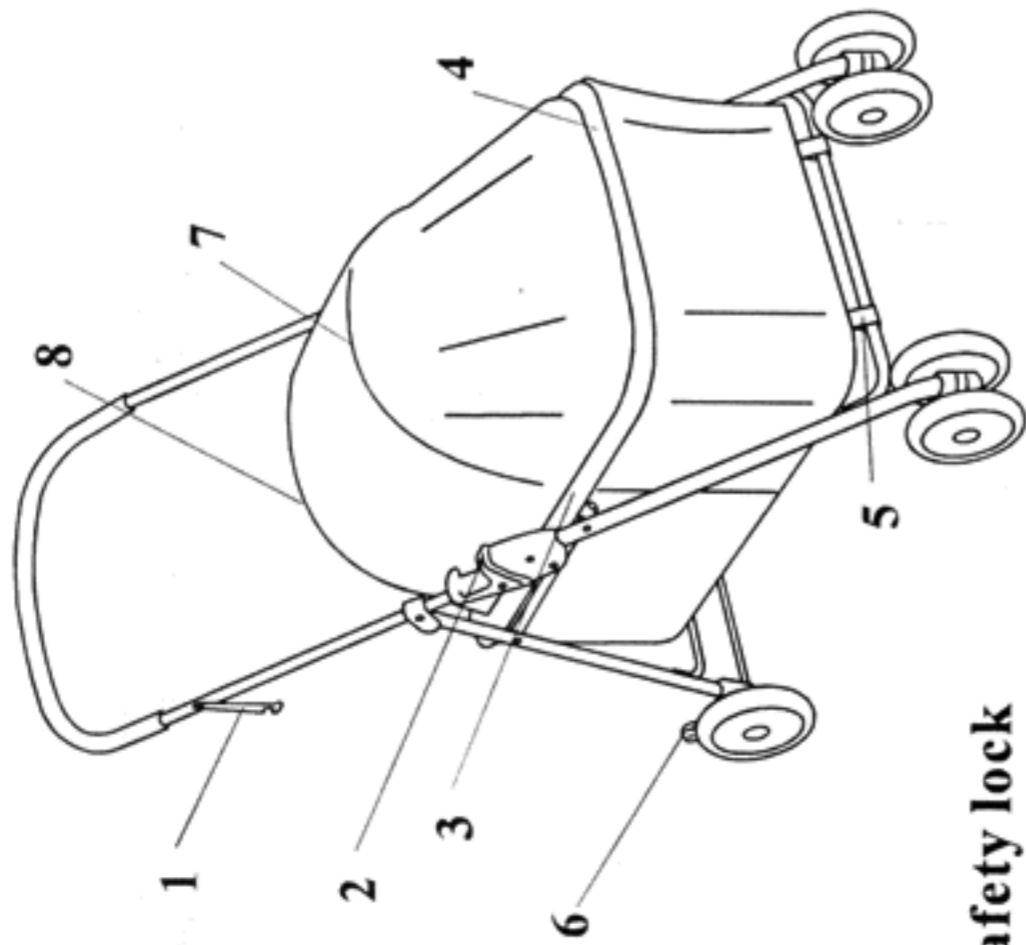
1. Never leave your pet alone in the pet stroller
2. Always apply the brakes when the pet stroller is stationary
3. Never leave the pet stroller on an uneven surface
4. Never leave the pet stroller near fire or in any other potentially dangerous environment
5. The pet stroller's maximum pet weight is 11kgs
6. Do not use the pet stroller if any part is broken or missing

## PACKING LIST

No	PARTS NAME	QTY.
1	Main frame	1
2	Front wheels	2
3	Axle component	1
4	Canopy body	1
5	Sponge cushion	1
6	Use instruction	1

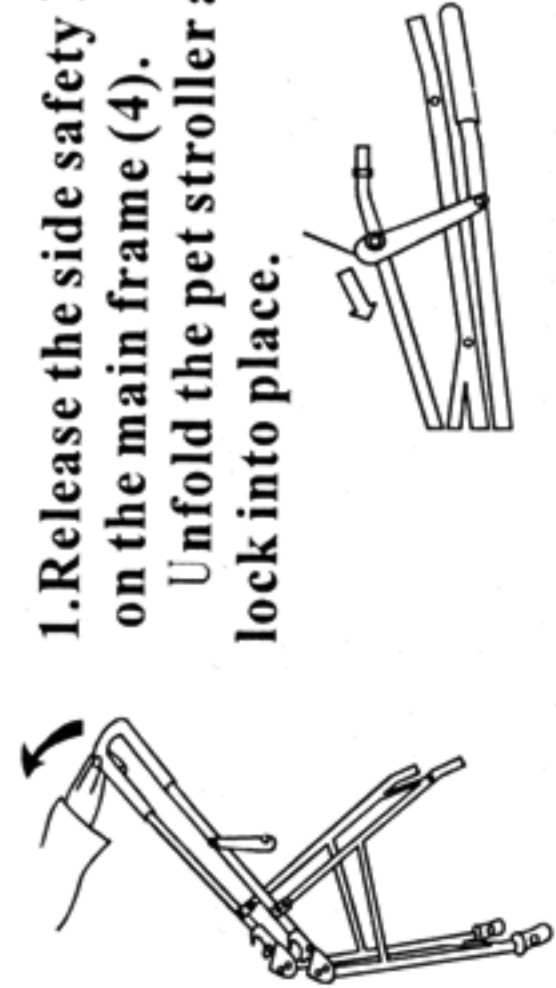
The pet stroller has been specifically designed for taking pets to the vet and for taking elderly or nervous pets with hip or general mobility problems, on outings. The stroller is lightweight and easy to manoeuvre, and comes complete with a removable pet carrier.

## Parts



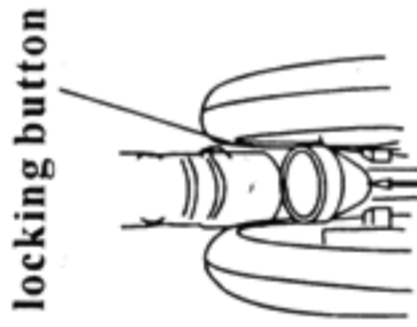
1. Safety lock
2. Side locks
3. Half moon clips
4. Main frame
5. Touch-fastening straps
6. Brakes
7. Canopy supports
8. Canopy supports

## To open

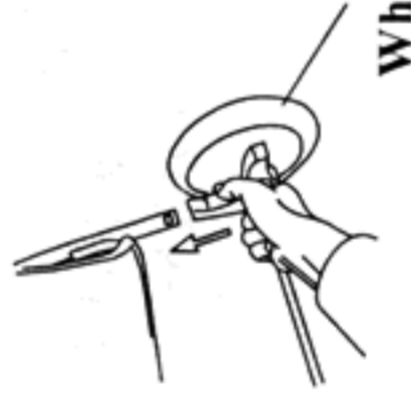
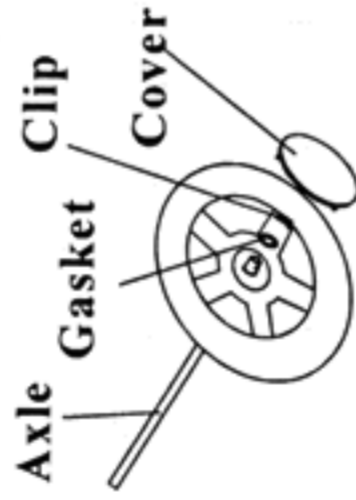


1. Release the side safety lock (1) on the main frame (4).  
Unfold the pet stroller and lock into place.

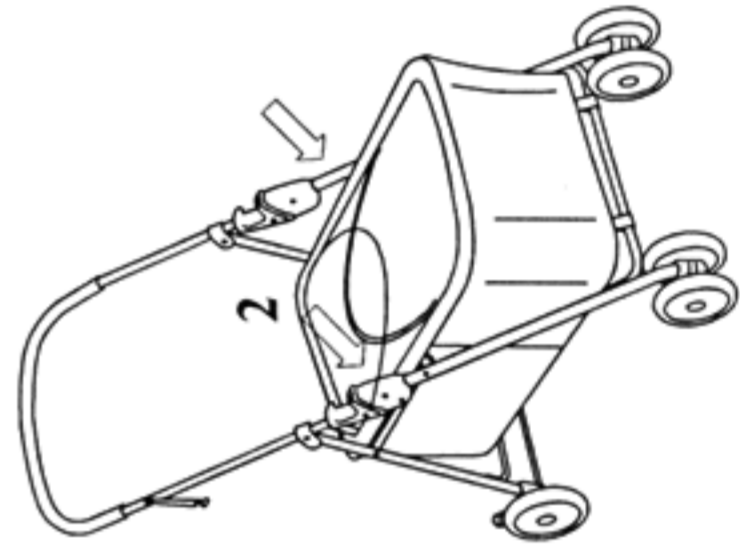
2. Assemble the front wheels: as the arrowhead shows, insert the front wheels assembly onto the front wheel frame until the locking button of the front wheel frame spring out.  
(To disassemble: press the locking button down and remove the assembly.)



3. Push the rear wheels, gasket, clip, cover assembly into the axle. And then push it assembly into the frame until spring out on the assembly.  
(To disassemble: press the spring on the rear wheel frame and remove the assembly.)

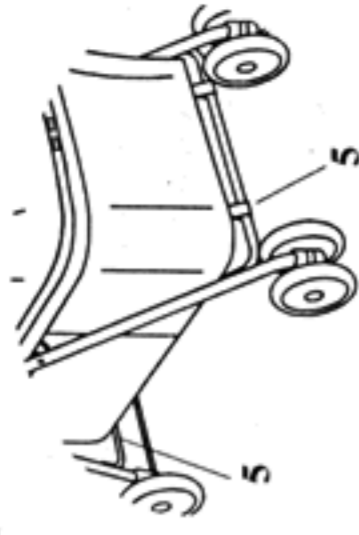


Wheel



4. Insert the pet carrier into the main frame (4)

5. Secure the pet carrier into the four half moon clips (3) on either side of the main frame (4) of the pet stroller



6. Secure the four touch-fastening straps (5) onto the frame of the pet carrier front and back

## Brakes

1. For your pet's safety, always apply the brakes (6) when the pet stroller is stationary



2. Lock the rear wheels by simply pushing down the brake levers on either side