

# Warning

A warning indicates a potentially hazardous situation which, if not avoided, could result in death or serious injury.

1. Read all instructions and save them for later reference.
2. Follow all warnings and instructions marked on the product.
3. Do not stand on the Versa-Haul.
4. Do not ride any vehicle during loading.
5. Store Versa-Haul carrier in a safe place.
6. Do not exceed vehicle tongue weight rating.
7. The connection for this model was designed based on government specifications. It fits onto a 2" bumper of a military issue Humvee.
8. Improper use of carrier could result in death or serious injury.
9. Do not put Versahaul onto a 5th wheel trailer or any other kind of trailer.
10. **VH-MI carrying capacity is limited to 700 lbs. max. Your vehicle suspension and hitch may limit the hauling capacity of the carrier.** For more information on vehicles and hauling capacities, visit [www.versahaul.com](http://www.versahaul.com)

## Manufacturer Information

Manufacturer's Name: BNK, Inc.

Manufacturer's Address:

BNK, Inc.  
9341 S. St. Rd. 39  
Winamac, IN 46996  
(574) 278-7149

Product Name: Versa-Haul

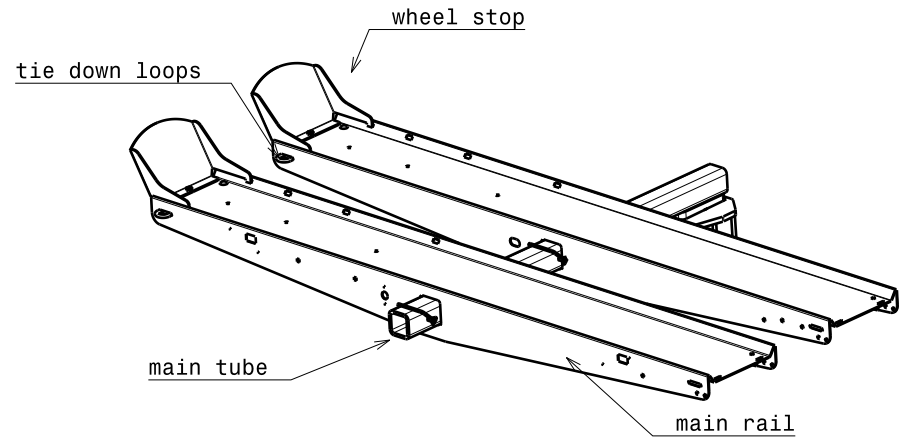
Product Description: Military Issue Carrier

Model Number(s): VH-MI

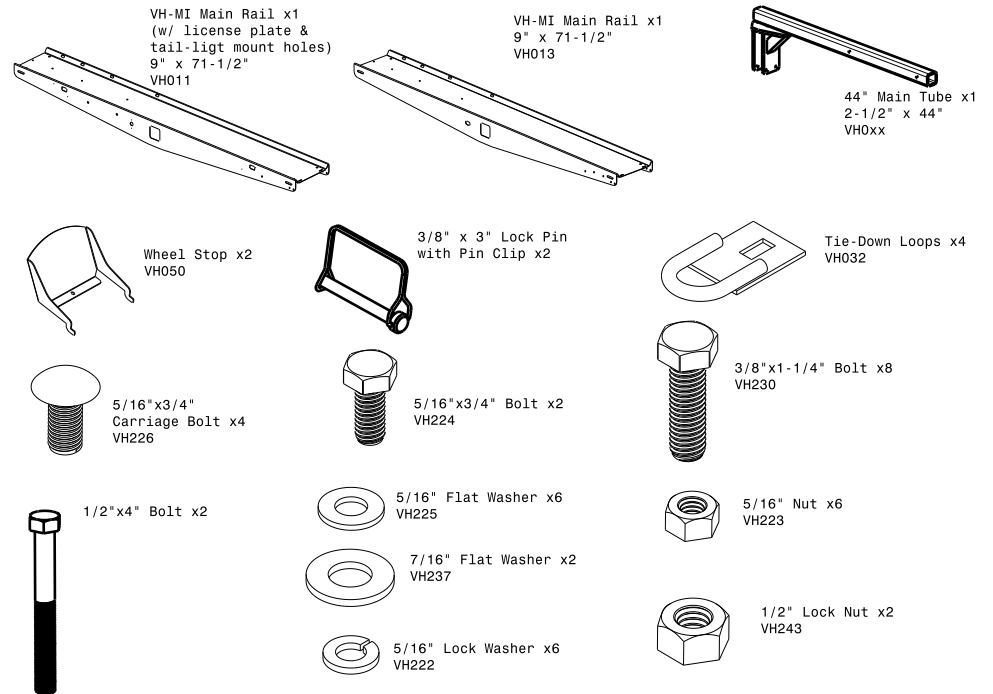
Serial number \_\_\_\_\_

(please fill in serial number affixed to Versa-Haul)

## VH-MI Instruction Booklet

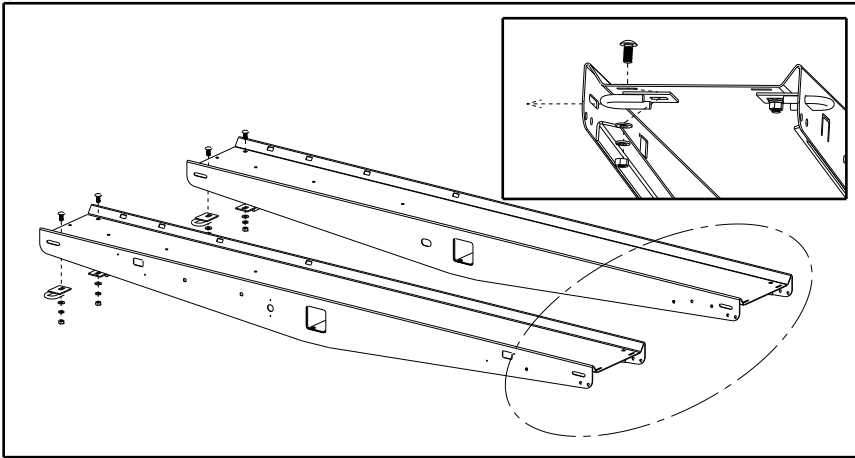


### Parts:



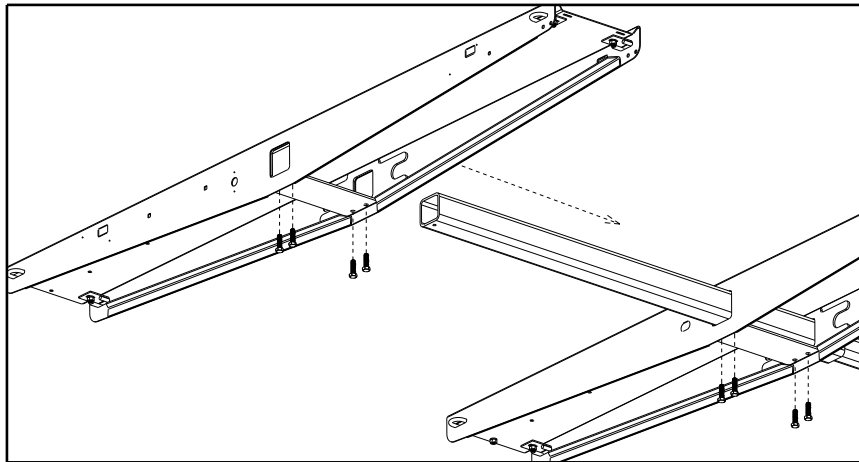
Tools Needed: 9/16" Socket,  
1/2" Wrench,  
5/16" Wrench

### STEP 1



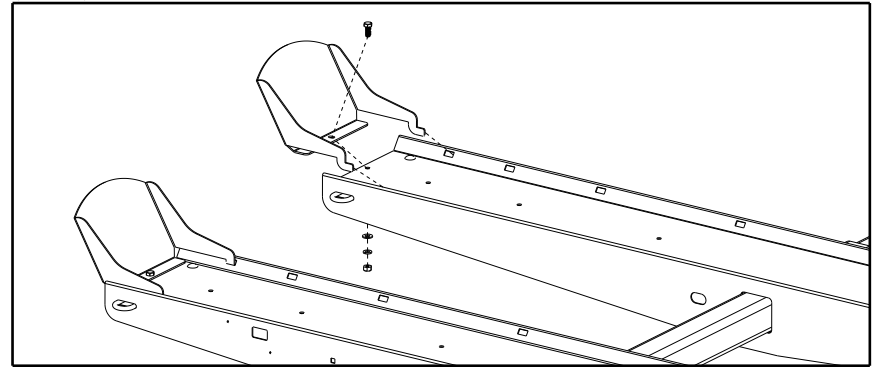
Insert the Tie Down Loops into the Main Rail and fasten them with the 5/16" x 3/4" Carriage Bolts, Flat Washers, Lock Washers, and Nuts in that order. Insert the Loops from the inside of the rail. The circled area is where the ramps will be installed. These instructions are on a separate page.

### STEP 2



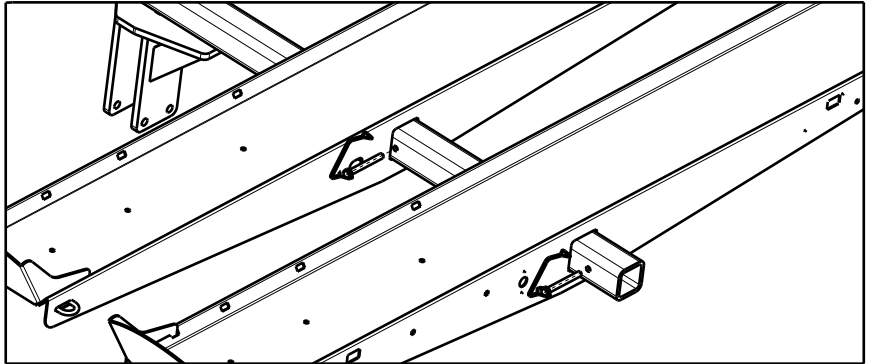
Insert the Main Tube into the Main Rails. Make sure the main rail with tail-light mount holes and license plate holes is to the rear when on vehicle. Slide the main rails to desired spacing and lock tight with the 3/8"x1-1/4" Bolts.

### STEP 3



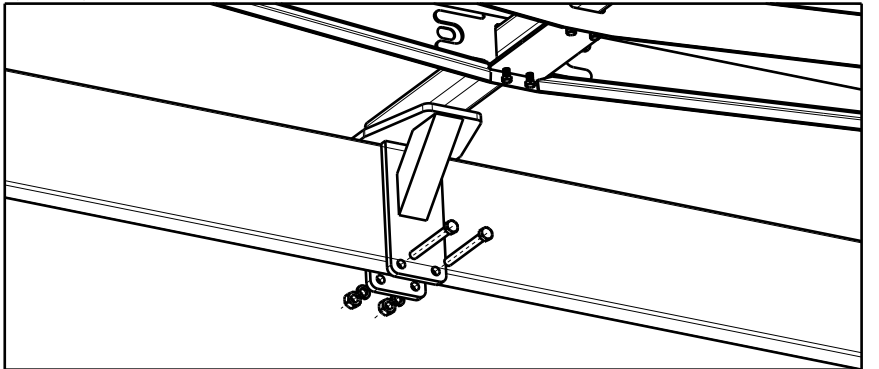
Insert the Wheel Stop into the slots on the top of the Main Rail at the appropriate position and fasten with 5/16" Bolt, Flat Washer, Lock Washer, and Nut.

### STEP 4



As a safety precaution, install the two Square Lock pins through the main tube. Close and lock them to ensure the main rails will not come loose.

### STEP 5



To attach the assembled VersaHaul to your vehicle first, slide the mounting bracket of the main tube onto the bumper. Once in place, use the 7/16" washers with the 1/2" nuts, and 4" bolts to secure the carrier in place on the vehicle.