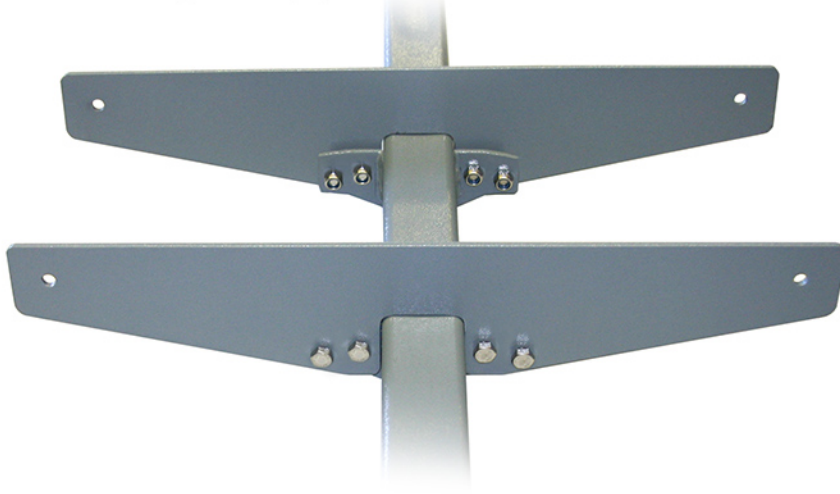




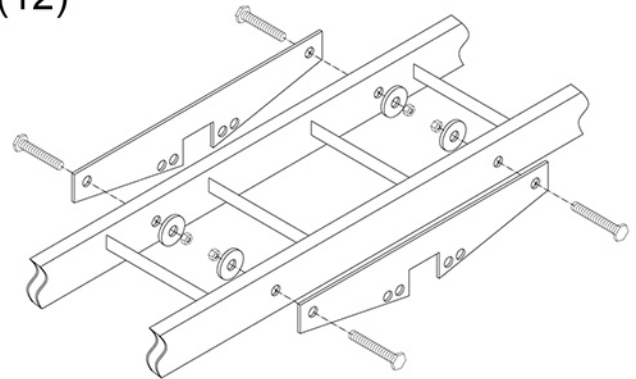
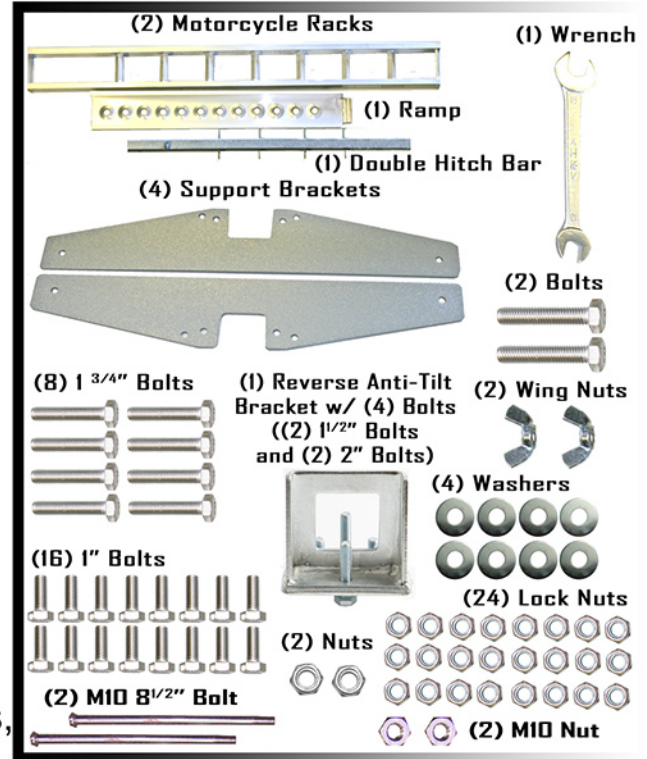
## Assembly Instructions

Step 1. Install the support brackets onto the hitch on the outside of welded brackets using the (8) 1" bolts. (Leave bolts hand tight)



Step 2. Place motorcycle rack in between support brackets and install (4) 1 3/4" bolts, washers & nuts. Securely tighten all (12) support bracket bolts. Install the other carrier platform 180° of 1st carrier platform & repeat Steps 1 & 2.

## *Parts List*



Step 3. Slide reverse anti-tilt bracket over hitch bar with the flat side of the bracket towards the vehicle. Slide the rack into the trailer hitch, install the hitch pin (not included), then tighten (4) reverse anti-tilt bolts evenly. They will pinch the bracket on the collar on the hitch preventing excessive movement of the rack.





## Assembly Instructions (cont'd)

Step 4. Ramp stores on either side of the motorcycle rack with the supplied (2) wing nuts, (2) bolts, & (2) nuts.

Step 5. The optional small wheel adaptor bolt can be inserted into the front of the motorcycle rack to make the front wheel gap smaller.



**WARNING:** Push motorcycle up the carrier with a helper - **NEVER** ride motorcycle onto the carrier!



Secure Motorcycle to rack using 2 ratchet straps attached to handlebars & 2 straps attached to rear frame of bike