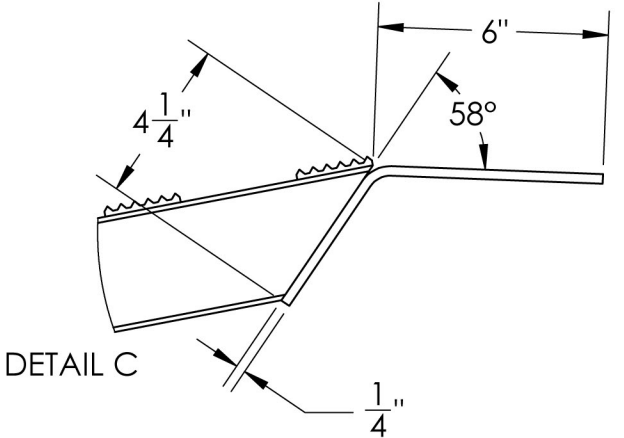
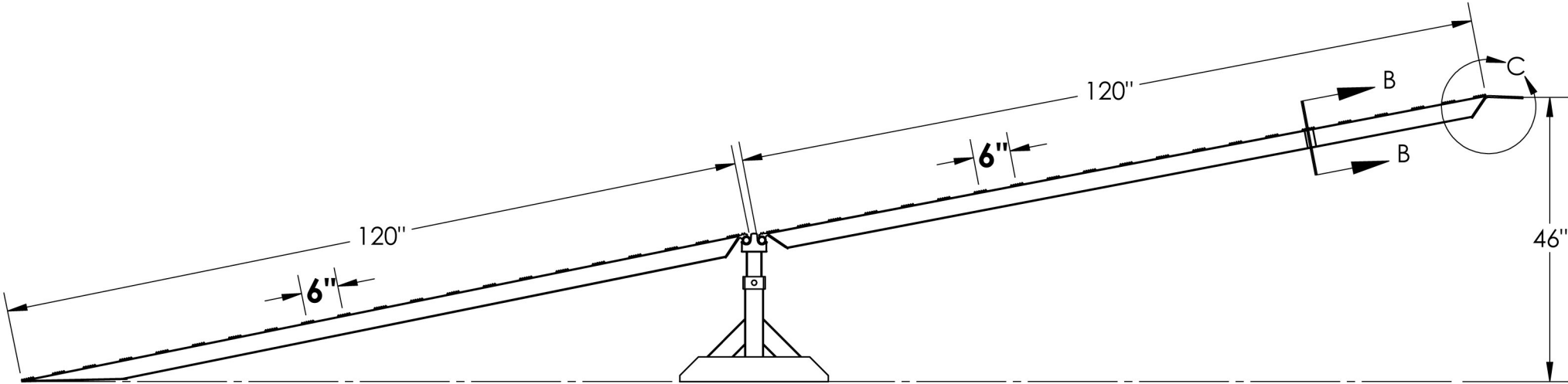


SECTION B-B



DETAIL C



**Q4541 One Piece Adjustable Stand**

**96" Max Width**