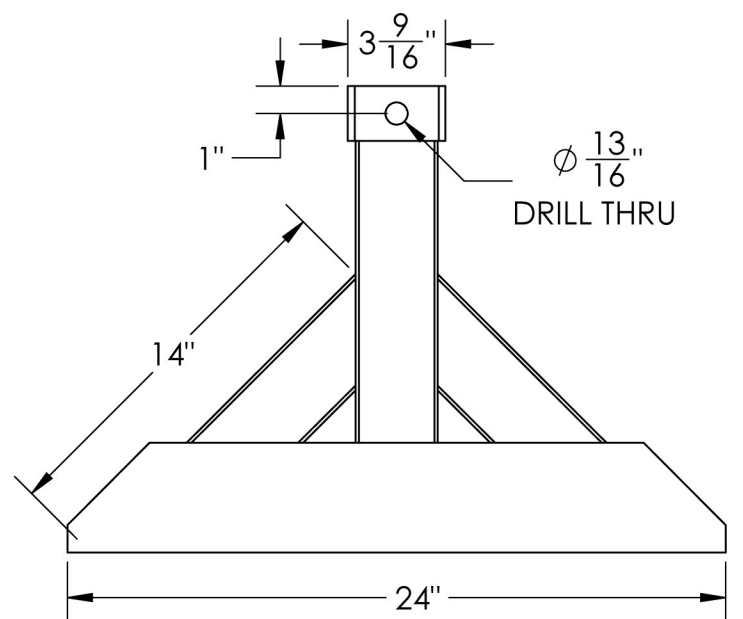
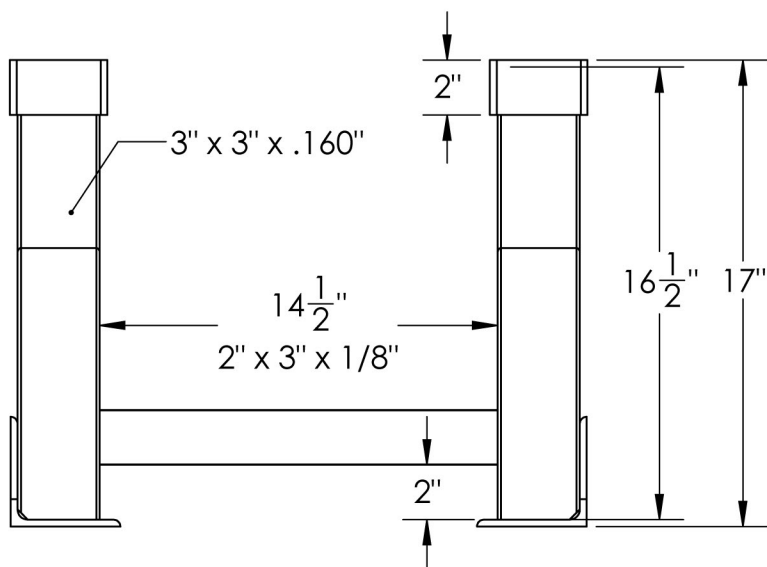
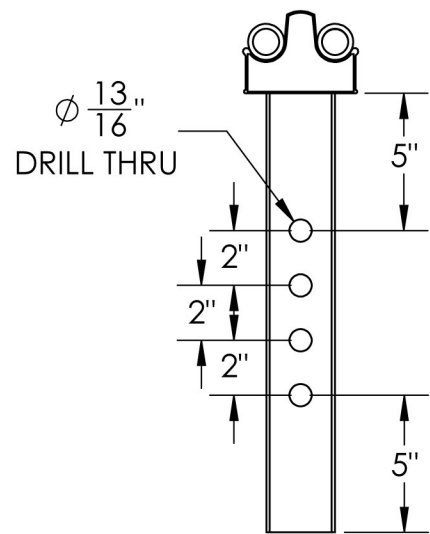
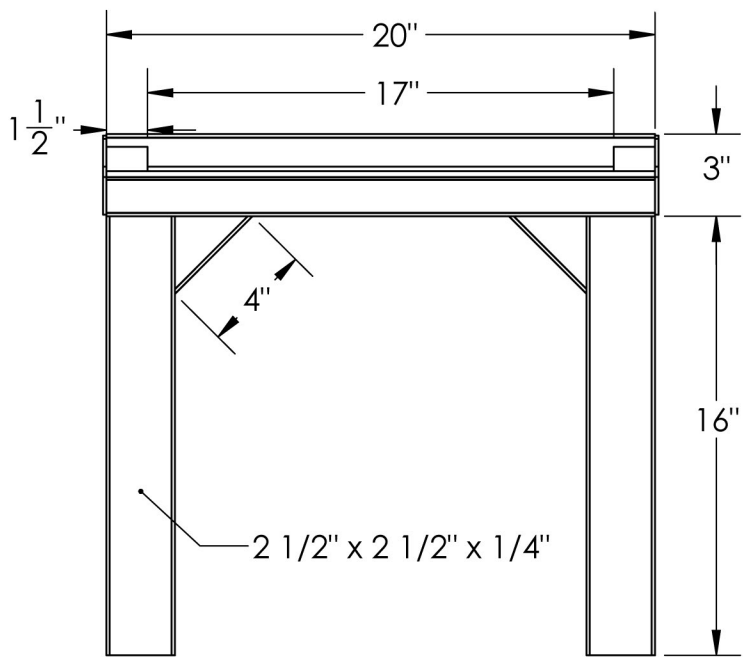


**Q5310 INDIVIDUAL STANDS
(2) 24" - 30" ADJUSTABLE**

Specifications	
Length	120" + 120"
Width	20"
Capacity	5000 lbs. max axle
Weight	70 lbs. each



Specifications	
Capacity	7000 lbs. max axle
Weight	36 lbs. each