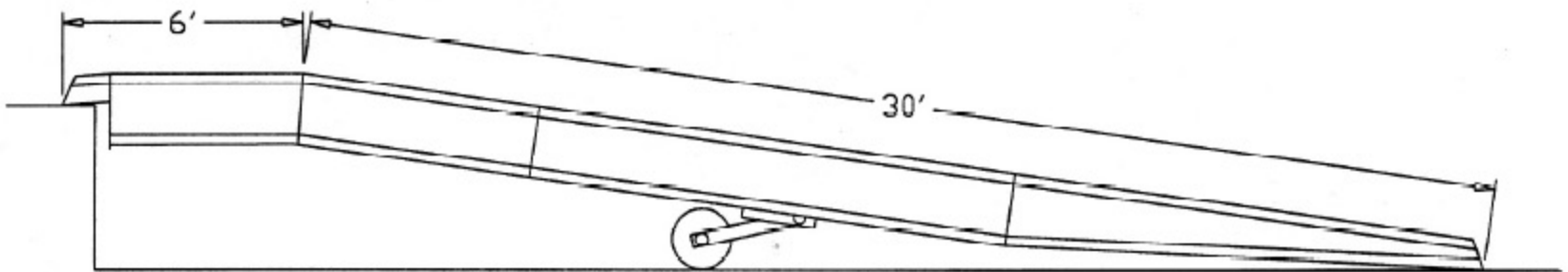


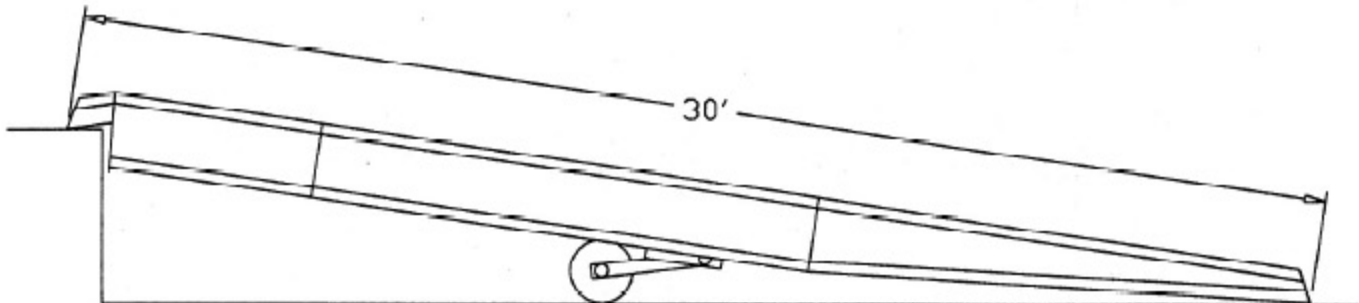
STEEL YARDRAMPS MODEL SYS

RAMP TYPE	30' STRAIGHT	36'L W/6' LEVEL-OFF
Wheel Diameter	18"	18"
Raised Lip Height	78"	69"
Lowered Lip Height	37"	35"
% of Grade @ 50" Height	14%	14%
Curb Heights	8"	8"
Carrier End Treadplate	30" Reinforced apron with 15" Lip	
Approach Apron	60" Reinforced Apron	



20SYS8436L

- 6' LEVEL OFF
- 36' LENGTH
- 84" OVERALL WIDTH (USEABLE WIDTH IS 6" LESS)
- STEEL YARDRAMP STEEL GRATING
- 20,000 LB CAPACITY



20SYS7030

- STRAIGHT
- 30' LENGTH
- 70" WIDTH (USEABLE WIDTH IS 6" LESS)
- STEEL YARDRAMP STEEL GRATING
- 20,000 LB CAPACITY