

# HITCH MOUNTED MOBILITY CARRIER

---

MC400, MC500

332100, 332200



## Operator's Manual

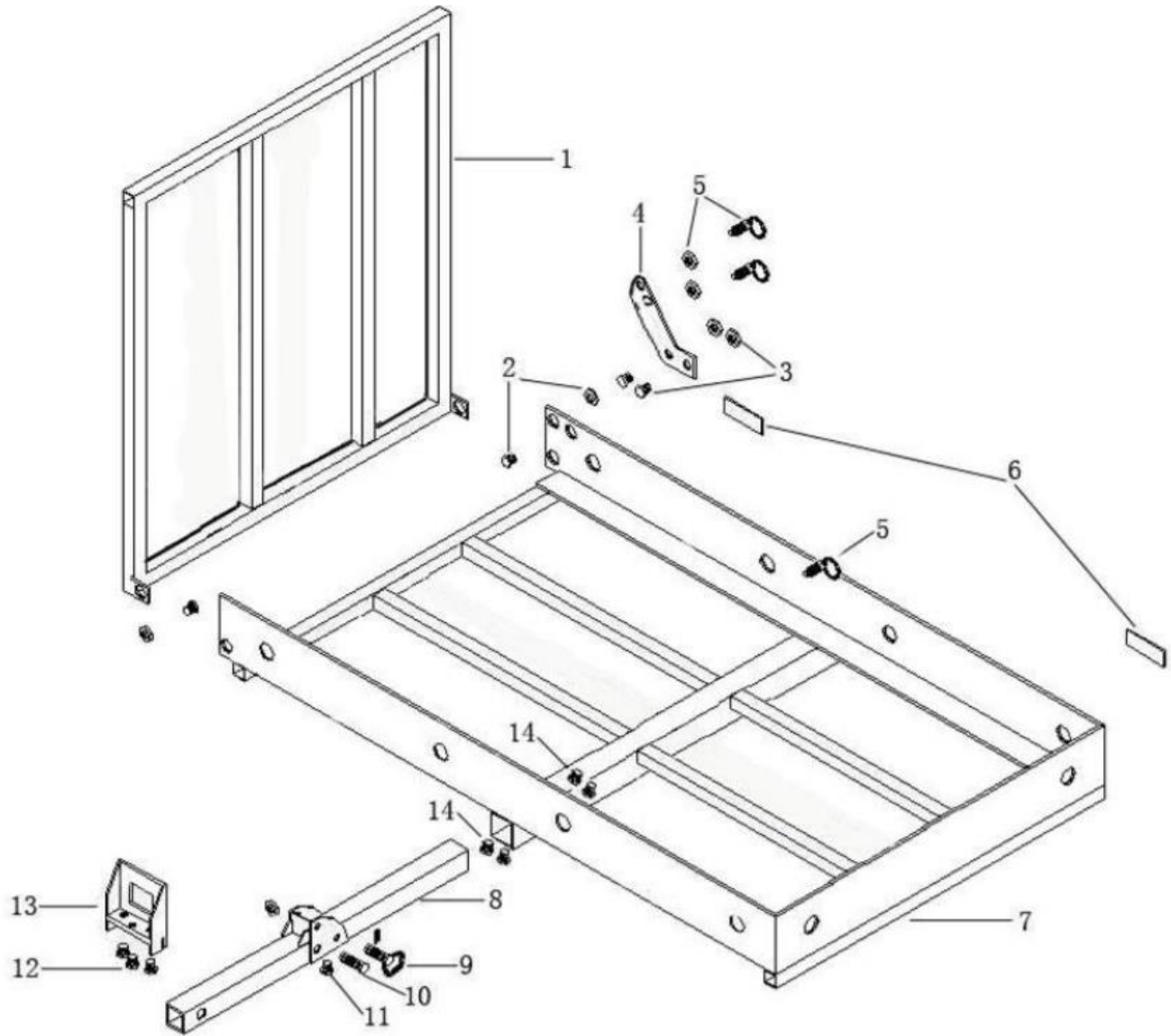
**TITAN**  
RAMPS



Read the Operator's Manual entirely. When you see this symbol, the subsequent instructions and warnings are serious follow without exception. Your life and the lives of others depend on it!

**PARTS DIAGRAM / EXPLODED VIEW – MC400**

---



**SPECIFICATIONS:**

- Weight Capacity: 400 lb.
- Not for use with 1.25-inch hitches
- Maximum Loading Height - Height suggests to 1 meter

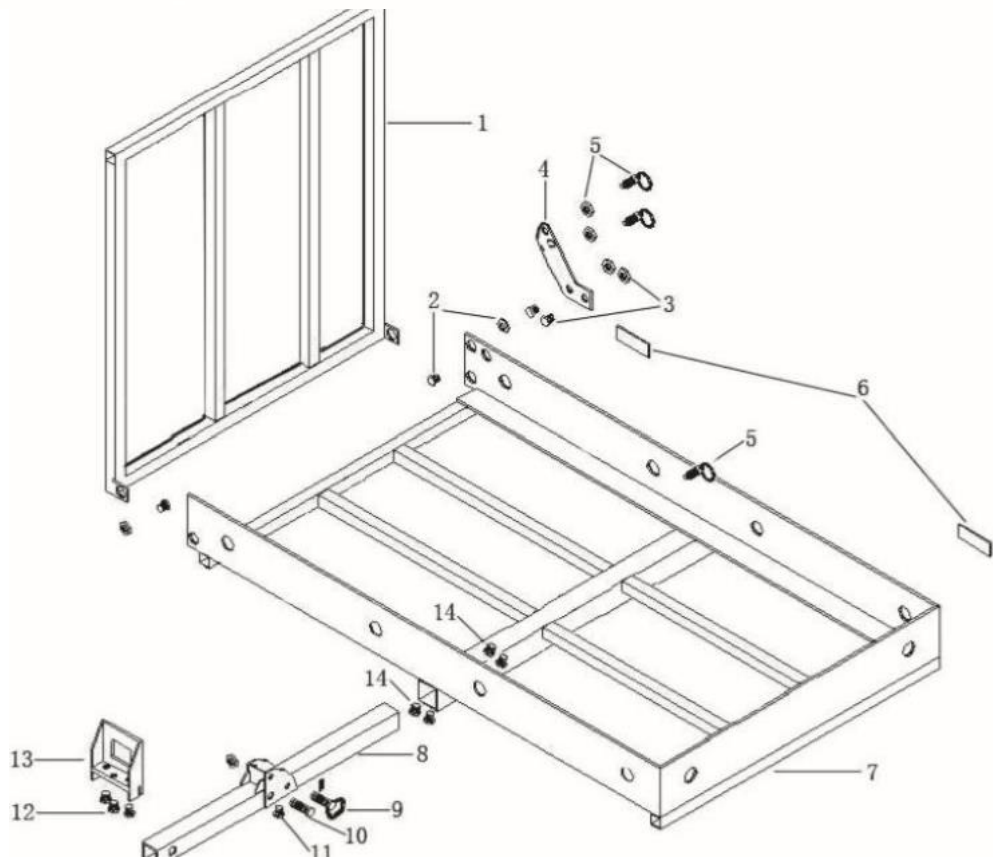
**PARTS DIAGRAM / EXPLODED VIEW – MC400**

---

<b>KEY</b>	<b>BOX</b>	<b>DESCRIPTION</b>	<b>QTY</b>
(1)	1	RAMP	1
(2)	1	RAMP BOLT SETS	2
(3)	1	CARRIAGE BOLT SETS	2
(4)	1	RAMP BRACKET	1
(5)	1	SPRING PULL PIN	3
(6)	1	REFLECTOR	2
(7)	1	CARRIER TRAY	1
(8)	1	HITCH	1
(9)	1	HITCH PIN	2
(10)	1	BOLT M12x70	1
(11)	1	ADJUSTMENT BOLT	1
(12)	1	BOLT M10x30	3
(13)	1	ANTI-TILT LOCK BRACKET	1
(14)	1	LOCK BOLT	4

# PARTS DIAGRAM/EXPLODED VIEW – MC500

---



**PARTS DIAGRAM / EXPLODED VIEW – MC500**

---

<b>KEY</b>	<b>BOX</b>	<b>DESCRIPTION</b>	<b>QTY</b>
(1)	1	RAMP	1
(2)	1	RAMP BOLT ASSEMBLY	2
(3)	1	CARRIAGE BOLT SETS	2
(4)	1	RAMP BRACKET	1
(5)	1	SPRING PULL PIN	3
(6)	1	REFLECTOR	2
(7)	1	CARRIER TRAY	1
(8)	1	RECEIVER BAR (GEAR)	1
(9)	1	HITCH PIN	2
(10)	1	BOLT M12x70	1
(11)	1	ADJUSTMENT BOLT	1
(12)	1	BOLT M10x30	3
(13)	1	ANTI-TILT LOCK BRACKET	1
(14)	1	LOCK BOLT	4

## WARNING!

**A warning indicates a potentially dangerous situation, which if not avoided, could result in death or serious injury.**

1. Read all instructions and save them for future reference.
2. Follow all warnings and instructions marked on the product.
3. Do not ride any vehicle while loading onto the carrier.
4. Do not stand on the carrier.
5. Never exceed vehicle tongue weight ratings
6. Always store the carrier in a safe place.
7. Improper use, storage or installation of carrier could result in death or serious injury.
8. Do not put the product on any kinds of trailers
9. Carrying capacity is limited to 500lbs max.

## SPECIFICATIONS

- Weight Capacity: 500 lb.
- Receiver Size – 2"
- Maximum Loading Height - **Height suggest to 1 meter**

## UNPACKING

---

When unpacking, make sure that item is intact and undamaged. If any parts are missing or broken, please call the distributor as soon as possible.

## ASSEMBLY INSTRUCTIONS

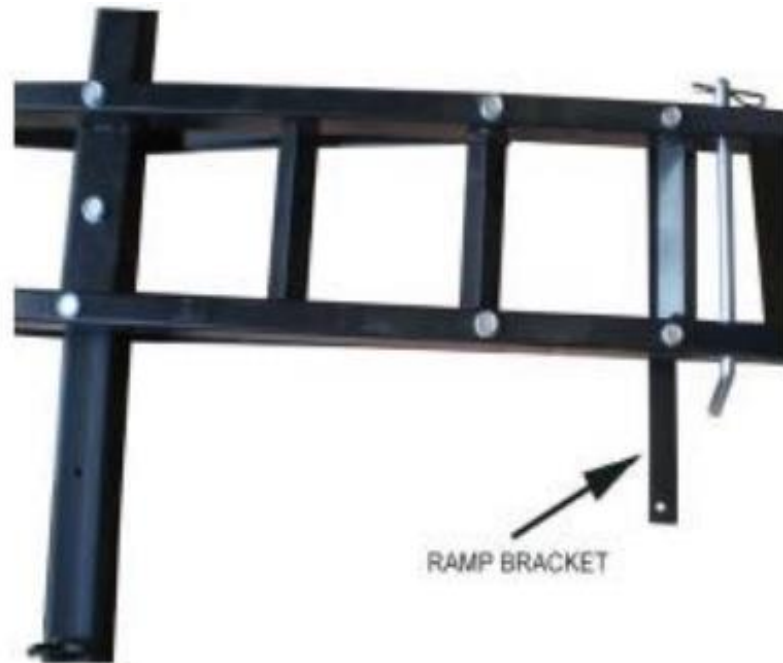
---

### STEP 1

Put the motorcycle rack onto the hitch bar and secure the rack by bolts and nuts. And then assemble the support brackets on the rack, tighten all the bolts until secure.

### STEP 2

Secure the ramp bracket on the rack.

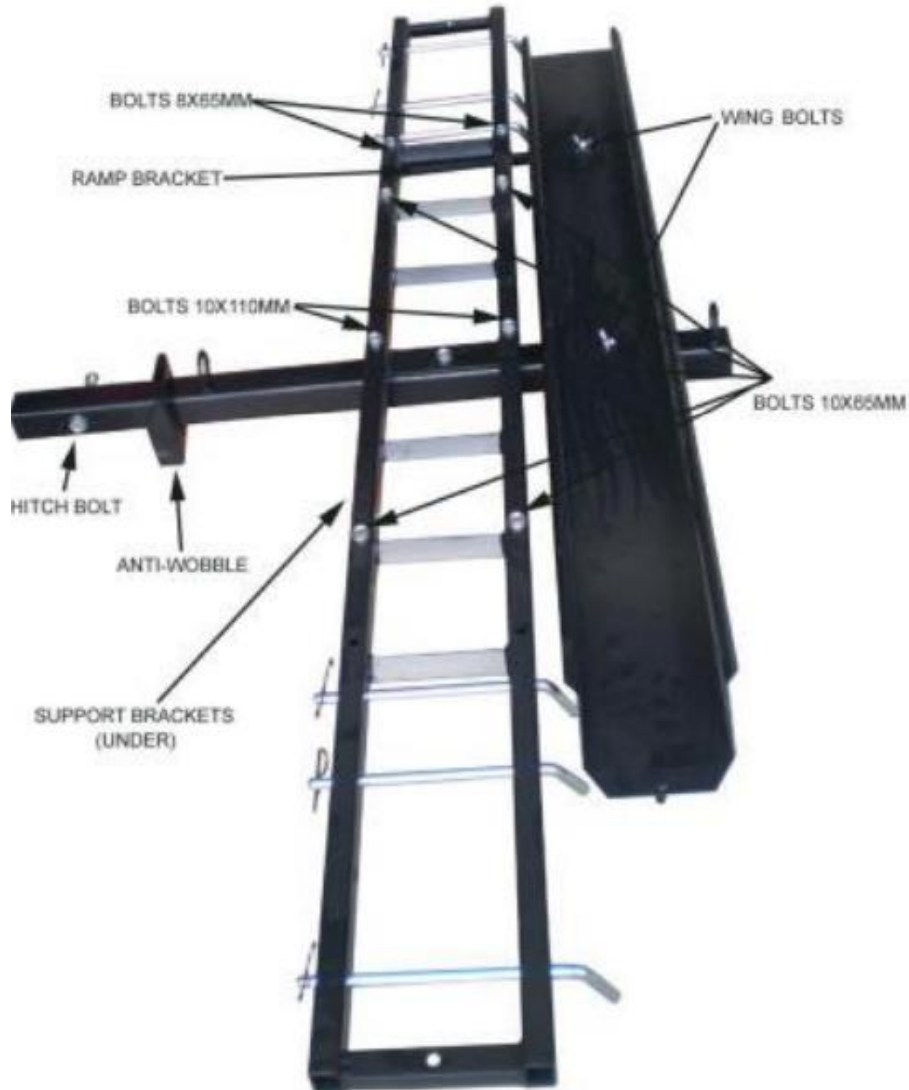


## ASSEMBLY INSTRUCTIONS

---

### STEP 3

Put the ramp onto the ramp bracket and use wing nuts to secure.



### STEP 4

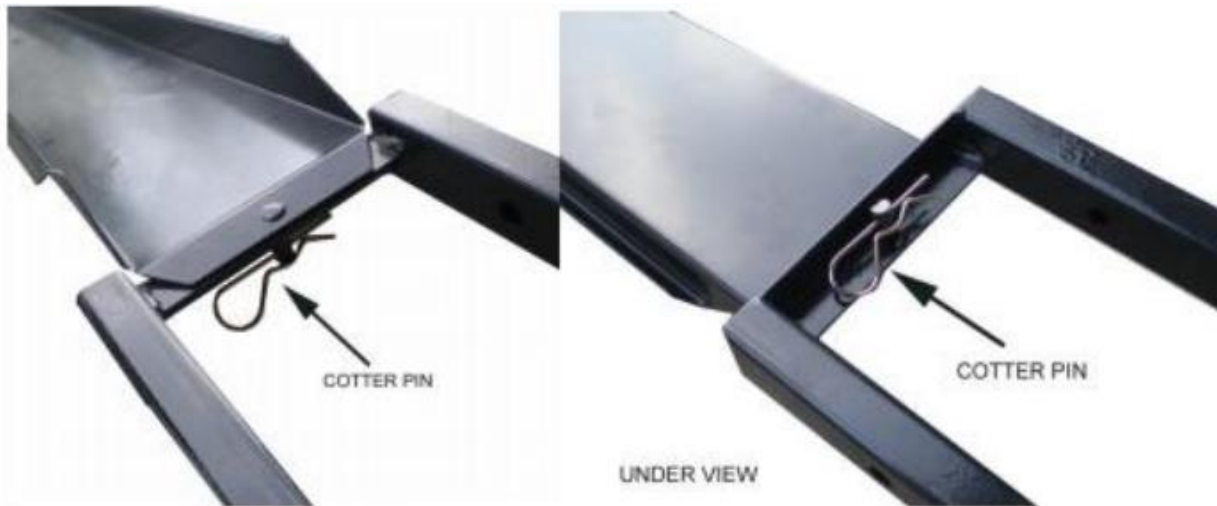
Slide the anti-wobble bracket over hitch bar with the flat side of the bracket away from the vehicle. Slide the motorcycle carrier into the vehicle hitch, install the hitch pin (not included), then tighten anti-wobble bolts evenly.



## OPERATION

---

1. Adjust the long pins so that motorcycle weight will be centered on the platform. Some larger wheels will require long pin to be left off entirely.
2. Remove the ramp.
3. Hook ramp to lip on right side of rack. The ramp must be secured by cotter pin, see the photos.



4. Put motorcycle in neutral and, with an assistant, push it up the ramp. Stop when front wheel reaches center of platform and have assistant support motorcycle.
5. Push motorcycle completely onto carrier.
6. Secure motorcycle by ratcheting tie downs.
7. Use ratcheting tie downs to compress motorcycles' suspension evenly until there is no possibility of motorcycle coming loose.
8. Return ramp to mounted position and secure with wing bolts.
9. Attach any needed makers and/or lights to carrier and motorcycle as required by vehicle codes.

## MAINTENANCE

---

1. BEFORE EACH USE, inspect the general condition of the carrier. Check for loose screws, misalignment, or binding of moving parts, cracked or broken parts and any other condition that may affect its safe operation.
2. AFTER USE, clean surfaces with clean cloth.

## ACKNOWLEDGEMENT OF RISK AND RELEASE OF LIABILITY

---

The use of any equipment, including this one, involves the potential risk of injury. Apart from any warranty claim that might be presented for a claimed defect in material or workmanship of the product, you accept and assume full responsibility for any and all injuries, damages (both economic and non-economic), and losses of any type, which may occur, and you fully and forever release and discharge Titan, its insurers, employees, officers, directors, associates, and agents from any and all claims, demands, damages, rights of action, or causes of action, present or future, whether the same be known or unknown, anticipated, or unanticipated, resulting from or arising out of the use of said equipment.

This equipment must be used with care by capable and competent individuals under supervision, if necessary.

## TITAN LIMITED WARRANTY: TERMS, EXCLUSIONS AND LIMITATIONS OF REMEDIES

---

This product comes with a one (1) year limited warranty that can be found at [www.titanramps.com/warranty.html](http://www.titanramps.com/warranty.html). Please review the same for all details regarding the Titan Limited Warranty.

**THE TITAN LIMITED WARRANTY FOUND AT [WWW.TITANRAMPS.COM/WARRANTY.HTML](http://www.titanramps.com/warranty.html) IS EXCLUSIVE AND IS IN LIEU OF ALL OTHER WARRANTIES, EXPRESS OR IMPLIED, INCLUDING ANY IMPLIED WARRANTY OF MERCHANTABILITY AND/OR FITNESS FOR A PARTICULAR PURPOSE, EACH OF WHICH IS HEREBY DISCLAIMED.**



**NEED HELP? CONTACT US FIRST.**

**1-800-605-7555**

[info@titanramps.com](mailto:info@titanramps.com)

[www.titanramps.com](http://www.titanramps.com)

© 2021 Titan Brands