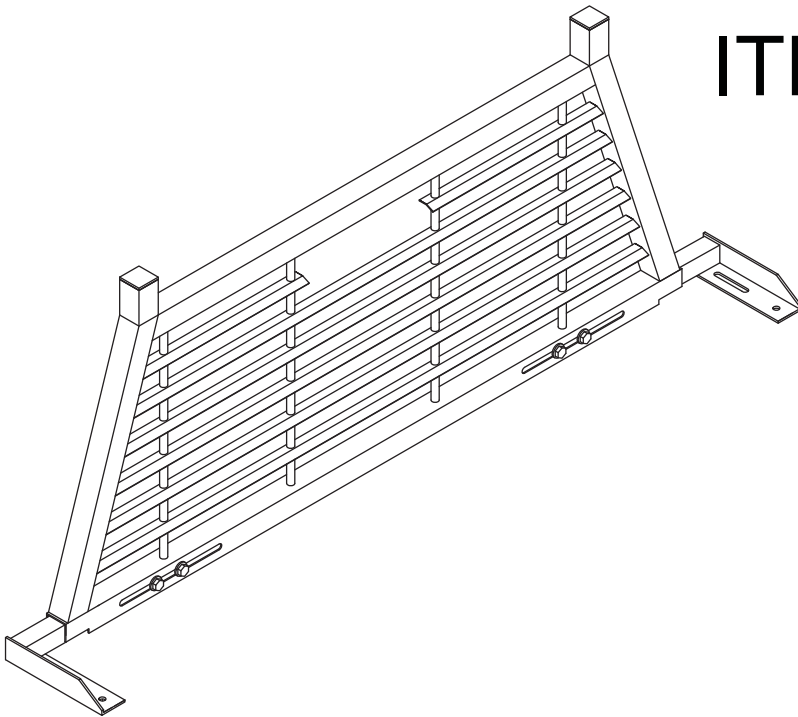


Instruction Manual

Aluminum Headache Rack

ITEM NO.: AHAR



Read and understand this entire manual before assembling, installing, operating, or servicing this product.

SAVE THIS MANUAL

IMPORTANT SAFETY INFORMATION

This is a **SAFETY ALERT** symbol.



It is used to alert you to potential personal injury hazards. Obey all safety messages that follow this symbol to avoid possible injury or death.



DANGER indicates a hazardous situation which, if not avoided, will result in death or injury.



WARNING indicates a hazardous situation which, if not avoided, could result in death or serious injury.



CAUTION indicates a hazardous situation which, if not avoided, could result in minor or moderate injury.



NOTICE indicates important information which, if not followed, may cause damage to equipment.

SAVE THIS MANUAL

Keep this manual for the safety warnings and precautions. The manual offers important information on how to assemble, use and maintain this product.

Write the product's model number and purchase date on the cover page of this manual.

Keep this manual (and your purchase receipt) in a safe place.

UNPACKING

The shipment should be thoroughly inspected as soon as it is received. The signed "bill of lading" is acknowledgement by the carrier of receipt in good condition or shipment covered by our invoice. For your own protection, if any of the goods called for on the bill of lading are shorted or damaged, do not accept them until the carrier makes a notation on the freight bill of the shorted or damaged goods.

Definition of Symbols




WARNING concerning Risk of Eye Injury. Wear ANSI approved eye protection.



WARNING concerning Risk of Hearing Loss. Wear hearing protection.



IMPORTANT SAFETY INSTRUCTIONS

1.  **Read and understand all safety warnings and instructions.** Failure to follow the warnings and instructions may result in serious injury or death. Save all warnings and instructions for future reference.

2. Personal and Work Area Safety

- A.  **Always wear ANSI approved safety goggles.**
- B.  **Always wear hearing protection when working in noisy environments.** Prolonged exposure to high intensity noise can cause hearing loss.
- C.  **Use safety equipment.** Safety shoes, hard hat and work gloves must be used for applicable conditions.
- D. **Dress appropriately.** Never wear loose fitting clothing or jewelry when working. Contain long hair, and keep hair, clothing and gloves away from moving parts.
- E. **Use common sense when working.** Stay alert and concentrate when setting up and using the Aluminum Headache Rack. Never work while under the influence of alcohol, drugs or medications.

Personal and Work Area Safety (continued)

F. While assembling and using the Aluminum Headache Rack keep work area clean and well lighted. Keep spectators and children out of the work area.

3. **Use of the Aluminum Headache Rack**

A. This Rack is designed to be set up behind the truck's rear window to protect the window from the impact of shifting cargo. It's upper frame has extension uprights for use in safely hauling long cargo such as ladders and pipes. **This Rack fits most truck beds. Do not modify this Rack, and do not use this product for purposes that it was not designed for.**

B. **Never use this Rack to secure people or animals in** the truck bed. Do not climb on, or hang on this Rack while vehicle is moving. Keep children and spectators well clear when setting up and using this product.

C. **Adhere to all Department of Transportation (D.O.T.) requirements when using this product.** Use ropes and tie downs to secure any cargo that is resting on the upper frame extension uprights.

D. For the vehicle that the Aluminum Headache Rack is attached to, read all pertinent vehicle instructions and warnings provided in the owner's manual. **Make sure the vehicle's engine is OFF, with parking brake set, before setting up this product, and when loading and unloading cargo on the upper frame extension uprights.**

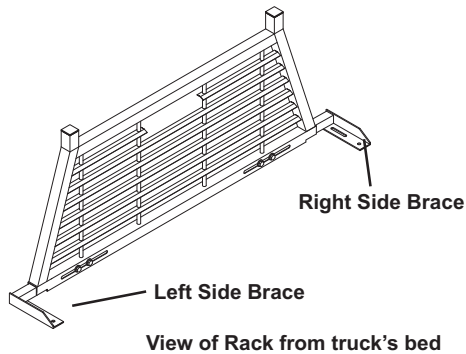
E. Loads can shift in transit. During transit, periodically stop and check the contents of the load. Make sure that all cargo in the truck bed is tightly secured.

Keep in mind that the warnings previously discussed cannot cover all possible events and circumstances. It is important that the person loading/unloading and using this product use common sense at all times.

SPECIFICATIONS

Width Adjustment	Extends from 62" to 74" wide
Application	Protects rear window from impact of shifting cargo. Bolt on installation for trucks with stake pockets.

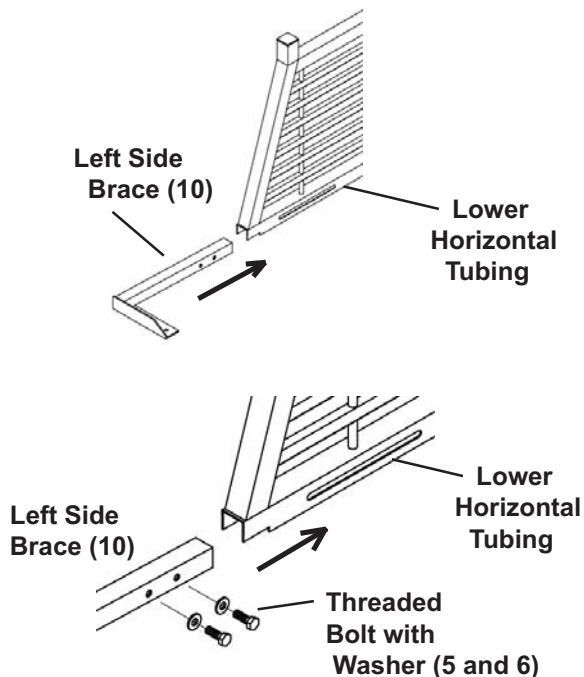
Setting Up the Aluminum Headache Rack



Always wear ANSI approved safety goggles.

1. Refer to photo above of the assembled Rack the Assembly Diagram at end of this manual.

2. Identify the Left Side Brace and Right Side Brace and see how these braces slide into the lower horizontal tubing of the Rack (see photos below).



Each Side Brace is secured to the lower horizontal tubing with two threaded bolts with washers attached as shown above.

3. Note how the Side Braces fit above the truck bed (see photo below).



4. Note how the **Side Braces** are secured to the truck bed by using the truck's stake pockets (see photo below). The included **Locking Plate** is maneuvered down into the stake pocket and turned horizontal so it will accept the **attachment Bolt** (inserted with washer from the top, and locked in place with nut from the bottom). Drilling of a hole is required on each side of the top lip of the truck bed to accept a **second attachment bolt** (see photo above). These same procedures will secure the other side brace.



5. The Rack is heavy; an assistant should be present to help assemble and position the product in place.

If you are not experienced in doing this type of product assembly and hole drilling, the assembly and set-up of this product should be done by a qualified service technician. When drilling holes, always be careful to avoid hidden cables and wires in the drilling path.

6. As previously described, assemble both side braces. Finger tighten the attachment bolts as the braces will have to be adjusted for width once lifted onto the front of the truck bed.

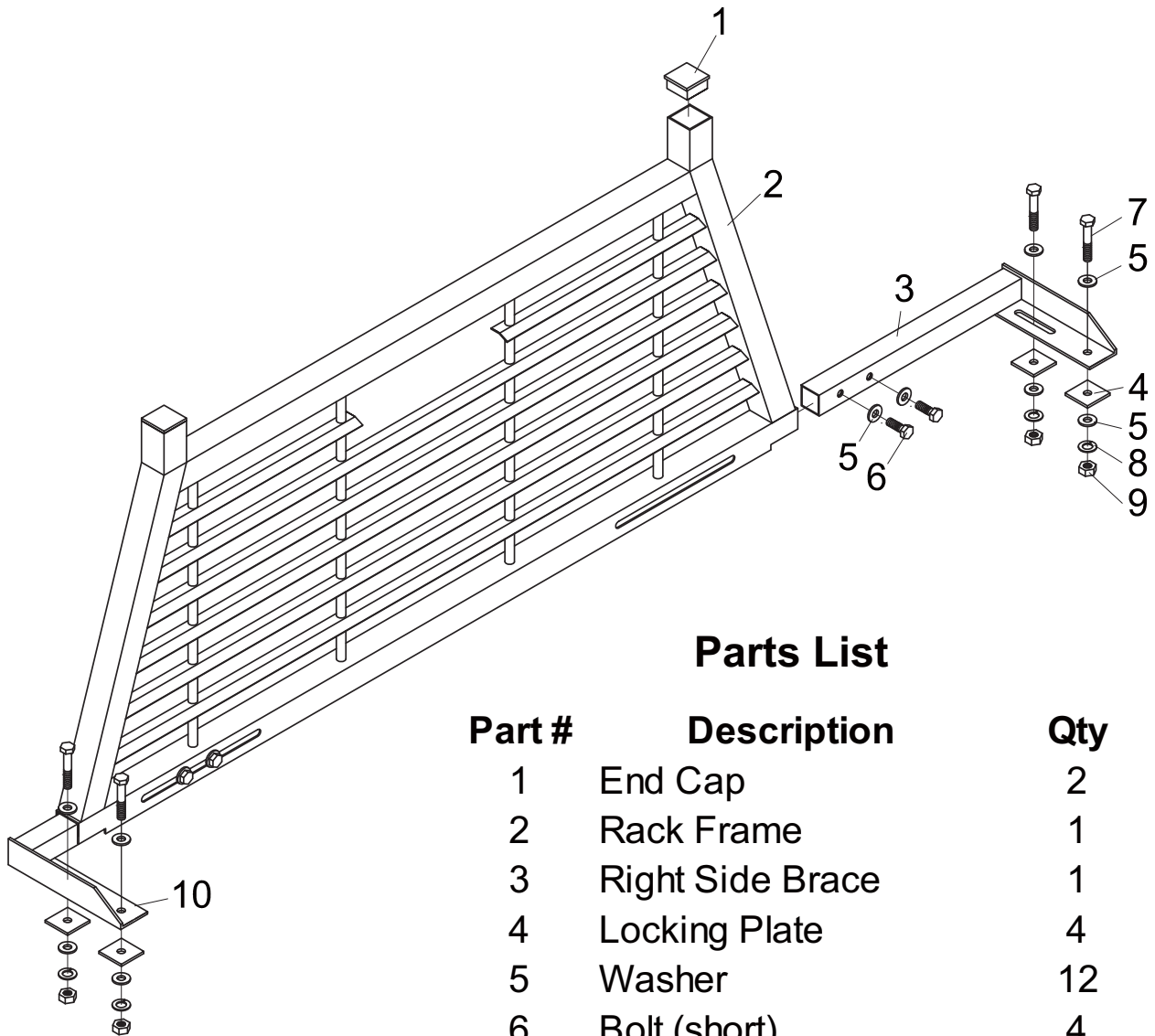
7. Lift the Rack in place. Make adjustments for width and mark truck bed upper lip where the two drilled holes are to be. After completing these tasks, mount the Rack in place using the hardware previously described. Tighten all hardware.

8. When using the extension uprights on the upper frame to support longer cargo, frequently check the cargo. Loads can shift in transit. During transit, periodically stop and check the contents of the load. Make sure that the Heavy-Duty Steel Headache Rack remains firmly in place, and that all cargo is tightly secured.

Maintaining the Rack

1. Frequently check the condition of this Rack. Make sure that all components are in good condition and are clean. Check to make sure that all hardware is tightly secured in place. If this product becomes damaged through use, it should be replaced. Replacement parts are not offered.

Assembly Drawing



Parts List

Part #	Description	Qty
1	End Cap	2
2	Rack Frame	1
3	Right Side Brace	1
4	Locking Plate	4
5	Washer	12
6	Bolt (short)	4
7	Bolt (long)	4
8	Spring Washer	4
9	Nut	4
10	Left Side Brace	1

Note: The Parts List and Assembly Diagram is provided as a reference tool only. Some parts are listed and shown for illustration purposes only, and are not available as replacement parts. All repairs to this tool (including replacing parts) should only be done by a qualified service technician.