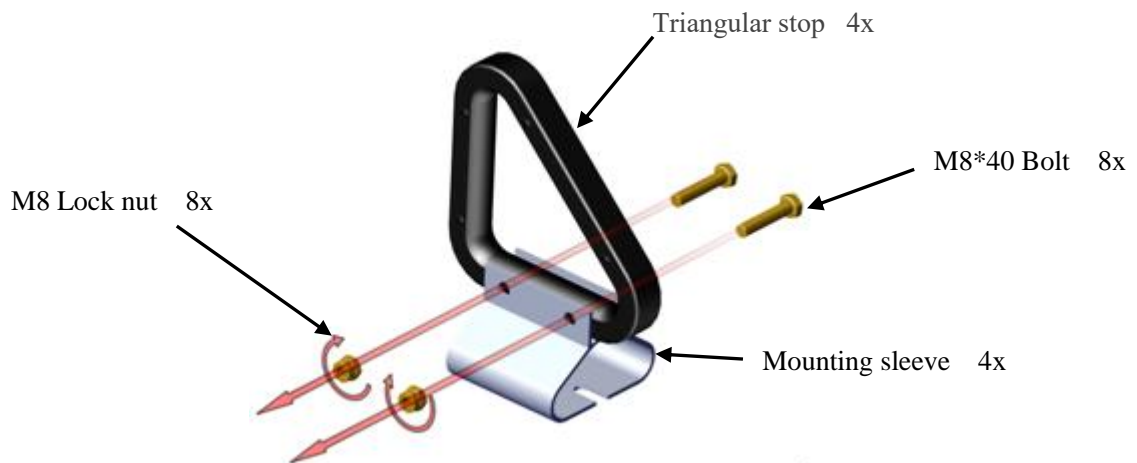


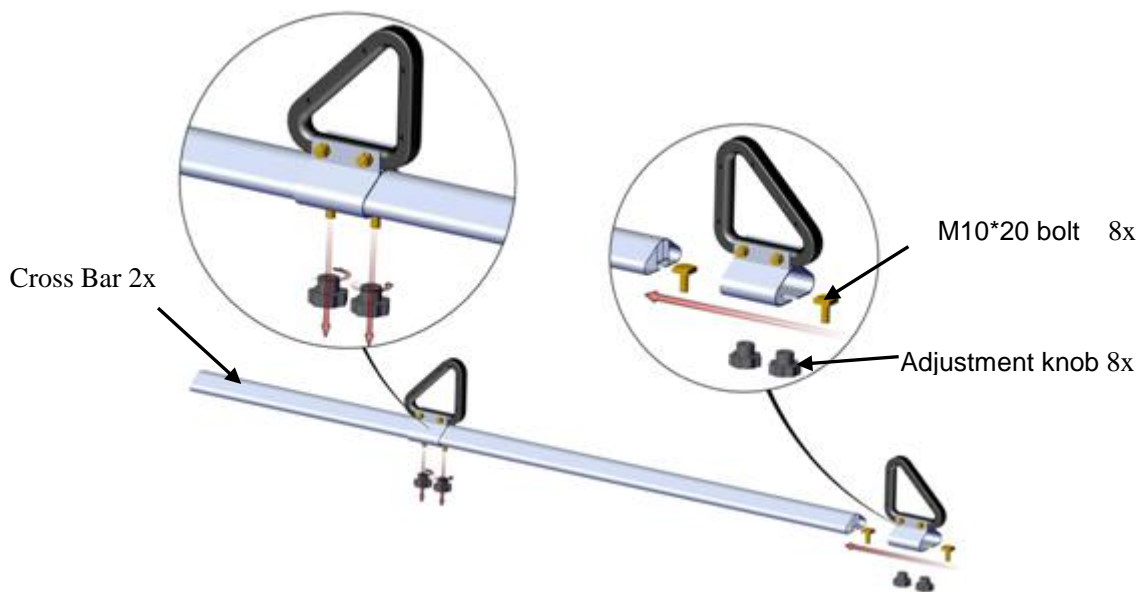
10105000-800LBS. Aluminum Universal Pick-up Rack



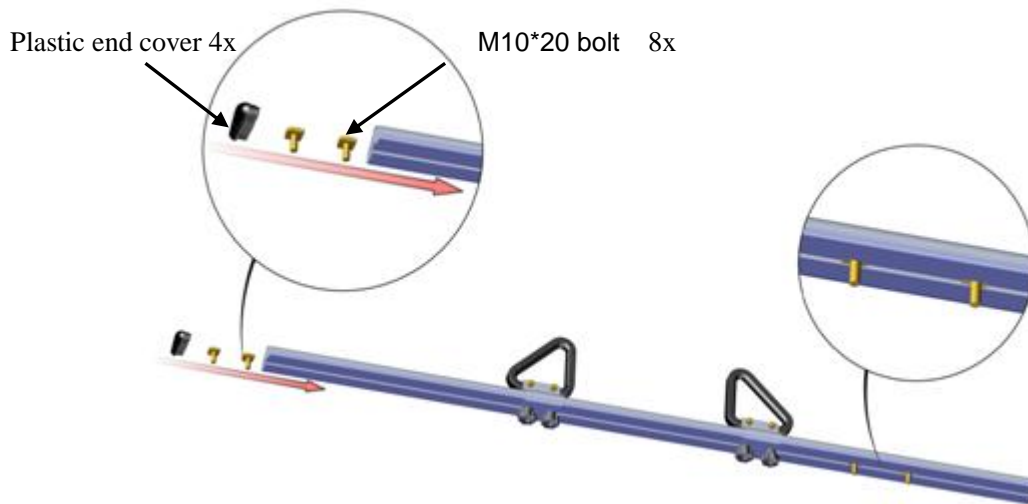
Installation Steps



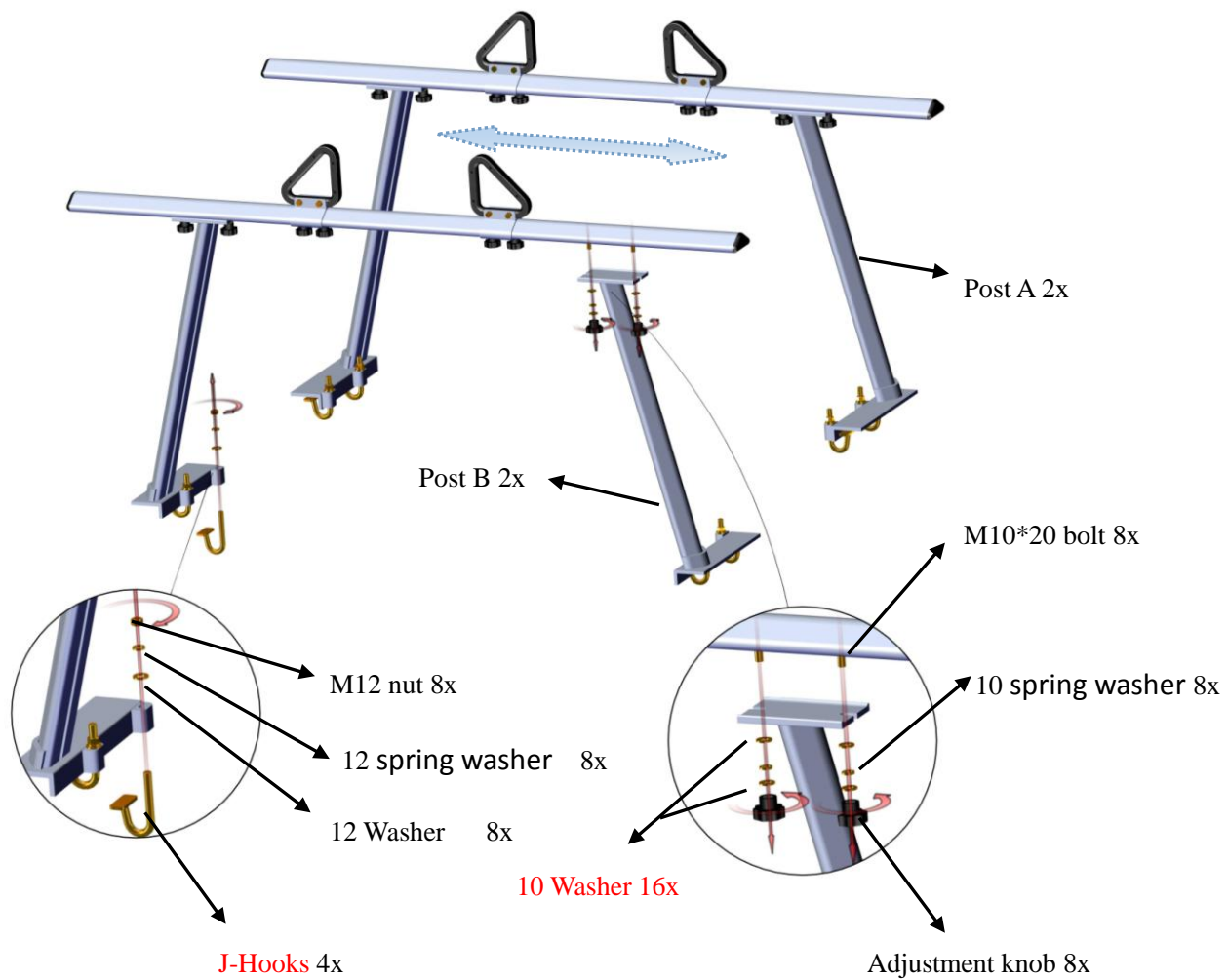
1. Slide triangular stop (3) into a mounting sleeve (4), tighten with M8*40 bolt (5) and M8 lock nut (6). Repeat until all 4 clamps are assembled.



2. Insert one M10*20 bolt(7) into the notches on the bottom of a mounting clamp(assembled in step 1), then slide one of the adjustable clamps onto the cross bar(14), slide another M10*20 bolt(7) into the notches, secure the bolts with 2 adjustment knobs (9).



3. Insert the two M10*20 bolt (7) from each side of cross bar (14), and then insert plastic end covers (15) to either side of the cross bar.

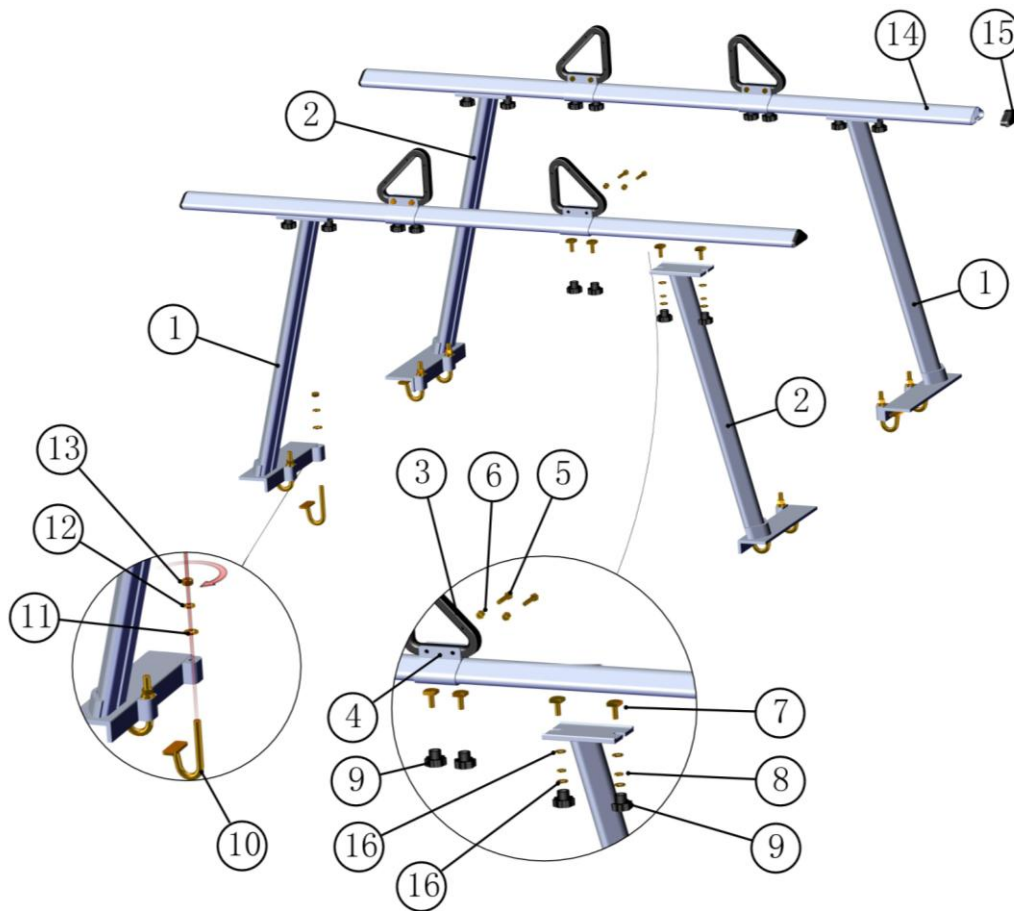


4. Tighten Post A (1) and assembled cross bar with M10*20 bolt (7), 10 Washer(16),10

spring washer (8), 10 Washer(16) and adjustment knob (9).

5. Tighten Post B (2) and assembled crossbars with M10*20 bolt (7), 10 Washer(16), 10 spring washer (8), 10 Washer(16) and adjustment knob (9).
6. Position one of the racks on your truck bed, place J Hook (10) from downside, tighten with 12 washer (11), 12 spring washer (12) and M12 Nut (13). Repeat for the additional 3 posts and J-Hooks(10).

Explosion diagram and parts list



Item#	Description	Q'ty	Item #	Description	Q'ty
1	Post A	2	9	Adjustment knob	16
2	Post B	2	10	J-Hook	8
3	Triangular stop	4	11	12 washer	8
4	Mounting sleeve	4	12	12 spring washer	8
5	M8*40 Bolt	8	13	M12 nut	8
6	M8 Lock nut	8	14	Cross Bar	2
7	M10*20 bolt	16	15	Plastic end cover	4
8	10 spring washer	8	16	10 washer	16