



# ATV Cargo Basket with Tailgate

Instructions for Part ATVDB-TG-1205

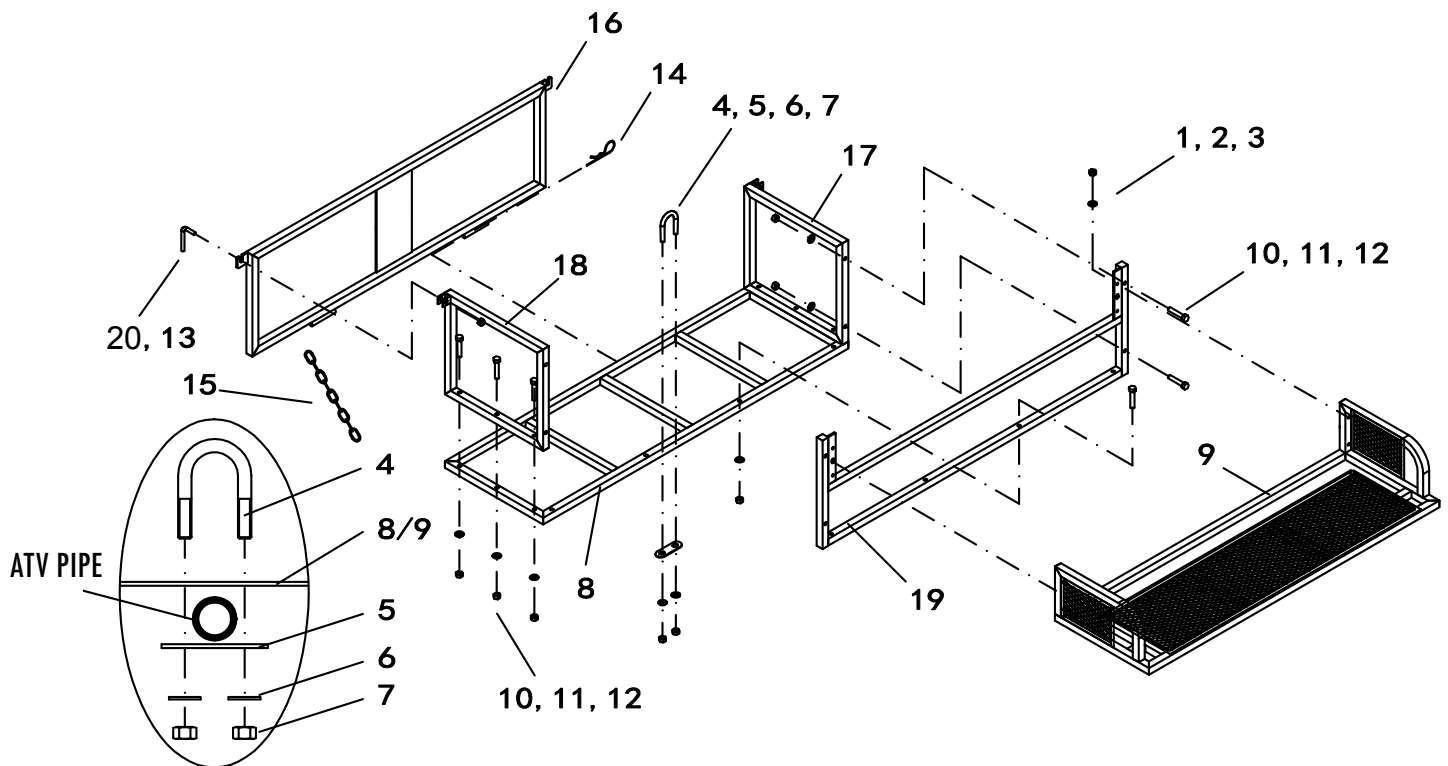
## **GENERAL GUIDELINES & SAFETY**

- It is the user's responsibility to read and follow all instructions.
- Keep these instructions with the product at all times and review before each use.
- It is the responsibility of this product's owner to furnish the instructions to any person that borrows or purchases the product.
- Inspect the product before use to ensure it is assembled properly and all parts are in safe working order and free of defects.
- Never modify this product in any way.
- All circumstances cannot be addressed in these instructions.
- Please use common sense and practice general safety measures when using this product.
- Parts and/or instructions are subject to change without notice.
- This basket is designed to work with a variety of ATV tube racks. It is the user's responsibility to ensure the basket is suitable for their ATV and the basket is properly installed.
- Make sure all parts are properly assembled and firmly tightened before use. When on the trails, periodically check to make sure the basket is securely attached. Re-tighten knobs if necessary.
- Always properly tie down cargo. While traveling, periodically check to make sure cargo is secure.
- Evenly distribute cargo inside the basket.
- Use caution and reduce speed when driving on rough terrain

# PARTS

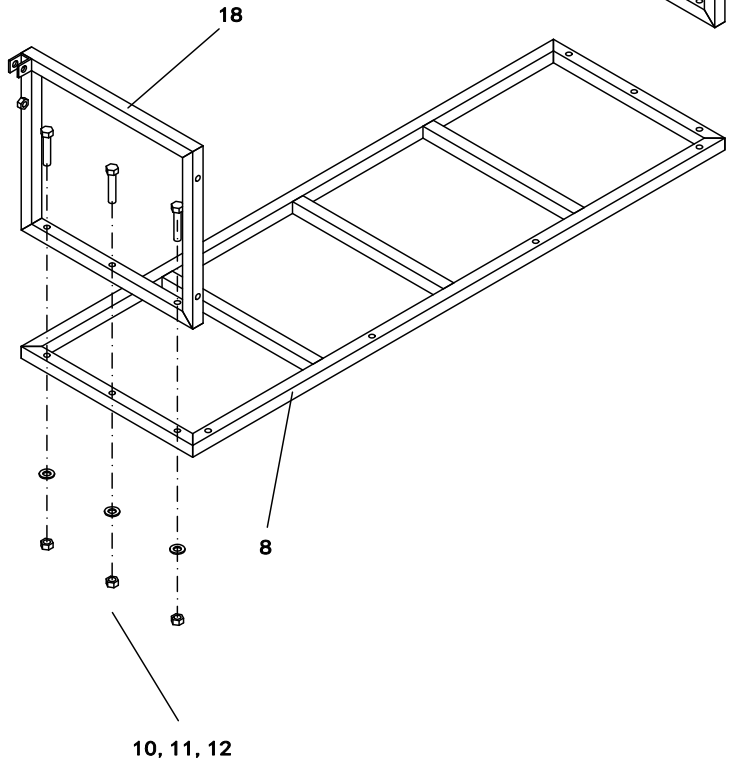
Part	Description	Quantity
1	BOLT M6 X 35	4
2	O6 WASHER	4
3	NUT M6	4
4	"U" BOLT M10	4
5	PLATE	4
6	O10 WASHER	8
7	NUT M10	8
8	BASE 1	1
9	BASE 2	1
10	BOLT M6 X 50	14

Part	Description	Quantity
11	M6 WASHER	14
12	NUT M6	14
13	HANDLE	2
14	"R" PIN	2
15	CHAIN	2
16	TAILGATE	1
17	SIDE FRAME	1
18	SIDE FRAME	1
19	MIDDLE FRAME	1
20	NUT M8	2

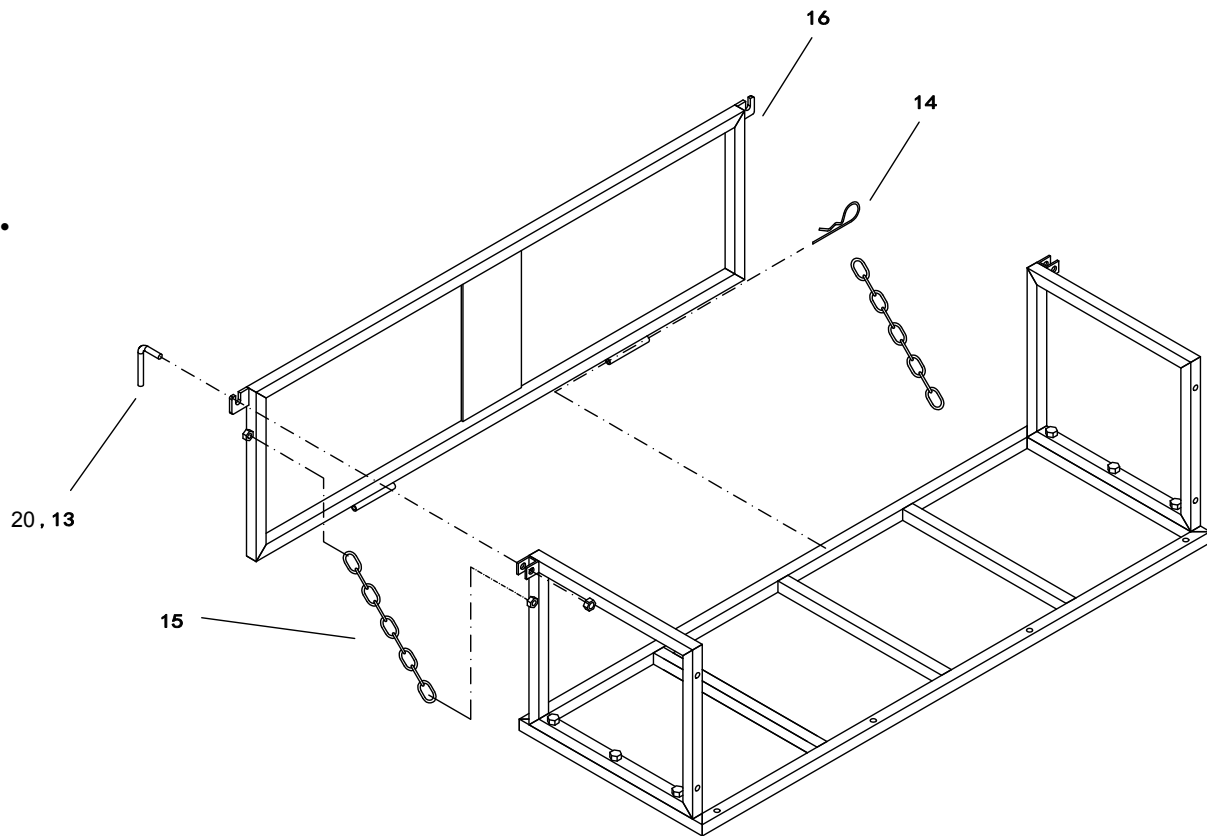


# **INSTRUCTIONS**

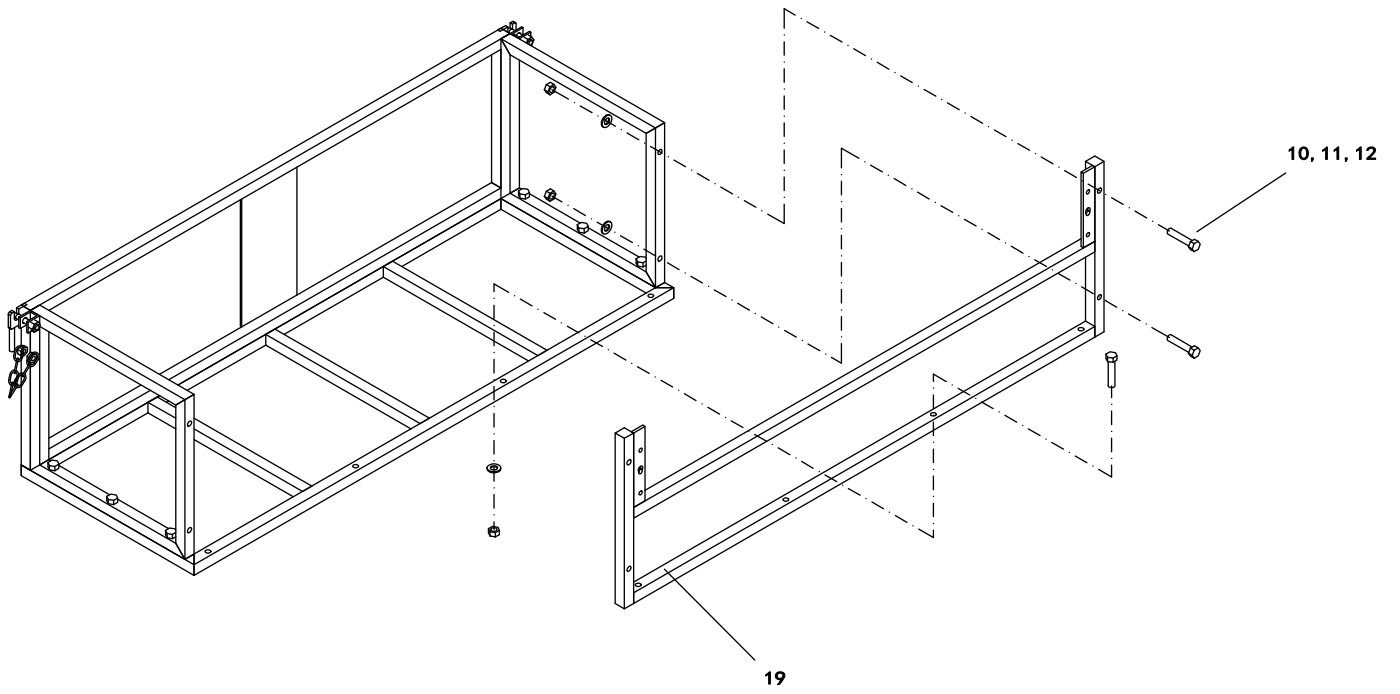
## **Step 1.**



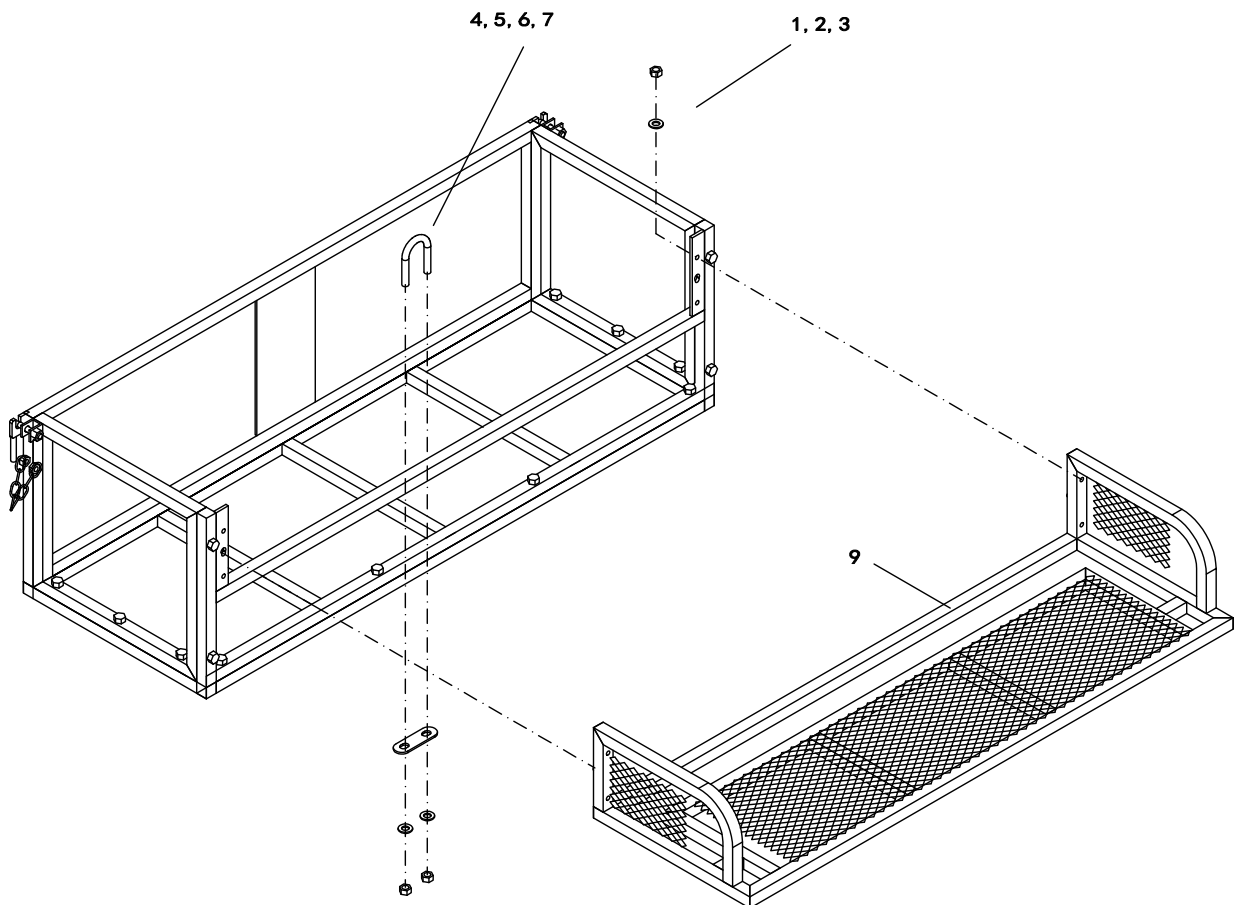
## **Step 2.**



**Step 3.**



**Step 4.**



## **PRODUCT WARRANTY & LIABILITY**

**GENERAL PRODUCT WARRANTY:** Products purchased from the Authorized Dealer (original place of purchase) or Merchant ("Dealer") will be free of defects in material and workmanship at the time of receipt, and will meet the specifications stated at the place of purchase transaction or online at the Dealer's website, under normal use and service when correctly installed, operated and maintained. This product warranty is effective for the period of time stated below, unless otherwise stated in the product instructions or depicted in the product advertisement. All Authorized Dealer warranties are NON-TRANSFERABLE and cover only the original end purchaser. This limited warranty does not cover products purchased through non-authorized dealers. Non-authorized dealer receipts are not accepted for warranty verification.

**\*\*\*WARRANTY CLAIMS MUST BE MADE DIRECTLY TO THE ORIGINAL PLACE OF PURCHASE.\*\*\***

**WARRANTY PERIOD:** This warranty remains in force for one year from the date of the product's accepted delivery. The Authorized Dealer offers a one year manufacturer's warranty for most products unless otherwise specified on the product advertisement.

**WARRANTY SERVICE:** The Authorized Dealer will replace any defective or malfunctioning part at no charge, including payment of the shipping costs of parts or replacement product to and from the manufacturer. The purchaser is responsible for labor charges. If the product does not meet specifications as depicted in the advertisement, the Authorized Dealer will refund the full purchase price of the product.

Questions regarding the warranty on a specific product and warranty claims should be directed to the Authorized Dealer with whom the purchase transaction was made.

**WARRANTY LIMITATIONS:** The above warranty does not apply to products that are repaired, modified or altered by any party other than the Authorized Dealer; are subjected to unusual physical stress or conditions (such as overloaded ramps or corrosion), natural disaster, governmental actions, wars, strikes, labor disputes, riots, theft, vandalism, terrorism or any reason beyond reasonable control; are damaged due to improper installation, misuse, abuse, accident or negligence in use, storage, transportation or handling, or tampering; or to products that are considered consumable items or items requiring repair or replacement due to normal wear and tear.

Product should be inspected prior to signing for delivery. Product damage incurred during shipping, unless noted on the Bill of Lading at the time of delivery, renders this warranty void.

**LIMITED LIABILITY:** In no event shall **THE AUTHORIZED DEALER** be liable to the purchaser or any third party for any indirect, incidental, consequential, special, exemplary or punitive damages arising out of the use of the product, including, without limitation, property damage, loss of value of the product or any third party products that are used in or with the product, or loss of use of the product or any third party products that are used in or with the product.

