

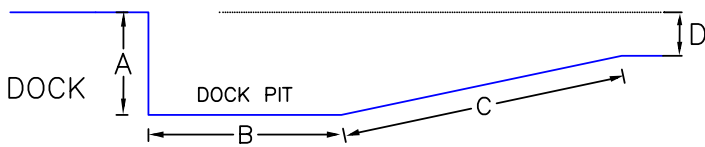
Steel & Aluminum Wheel Riser

WORKSHEET & QUESTIONNAIRE



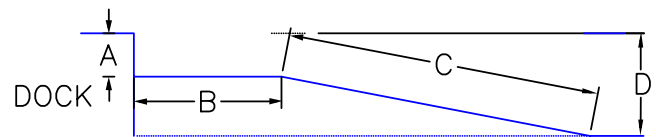
*****IMPORTANT:** Please provide a basic description of the type of application at your *location*.

1. Are you interested in steel or aluminum? _____.
2. Is there an edge of dock leveler at this location? _____.
3. What is the capacity required? _____ lbs.
4. Is the truck single or tandem axle? _____ (determines top length)
5. Is the truck single or dual tires? _____ (determines width)
6. Are fork pockets required? _____ (not available on riser under 4" tall)
7. What type of surface are the risers to be placed on? _____
8. Does the dock incline or decline? If so, please provide measurements below.



DECLINE

DIM. A _____ in.
 DIM. B _____ in.
 DIM. C _____ in.
 DIM. D _____ in.



INCLINE

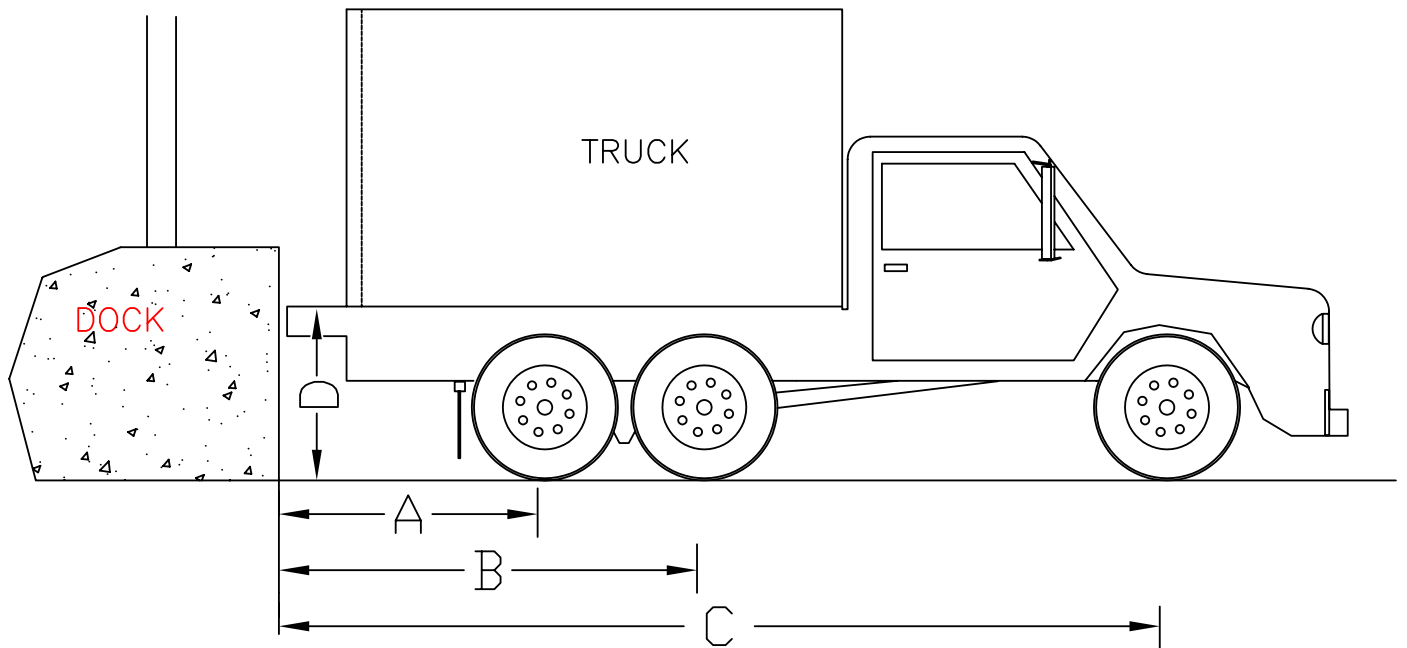
DIM. A _____ in.
 DIM. B _____ in.
 DIM. C _____ in.
 DIM. D _____ in.

SERVICE YOU CAN STAND ON

(800) 433-2212 • www.bluffmanufacturing.com • Fax 817-293-7570
 1400 Everman Parkway • Suite 120 • Fort Worth, TX 76140

Cont'd...

Please provide the additional information about your vehicles to properly design your risers.



DIM. A _____ in.

DIM. B _____ in.

DIM. C _____ in.

DIM. D _____ in.