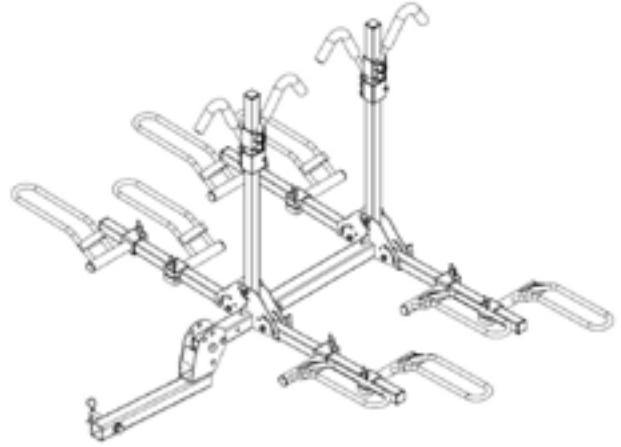




# Hitch-Mounted 4-Bike Platform RV Bike Rack

Instructions for Part #BC-4105-RV-4



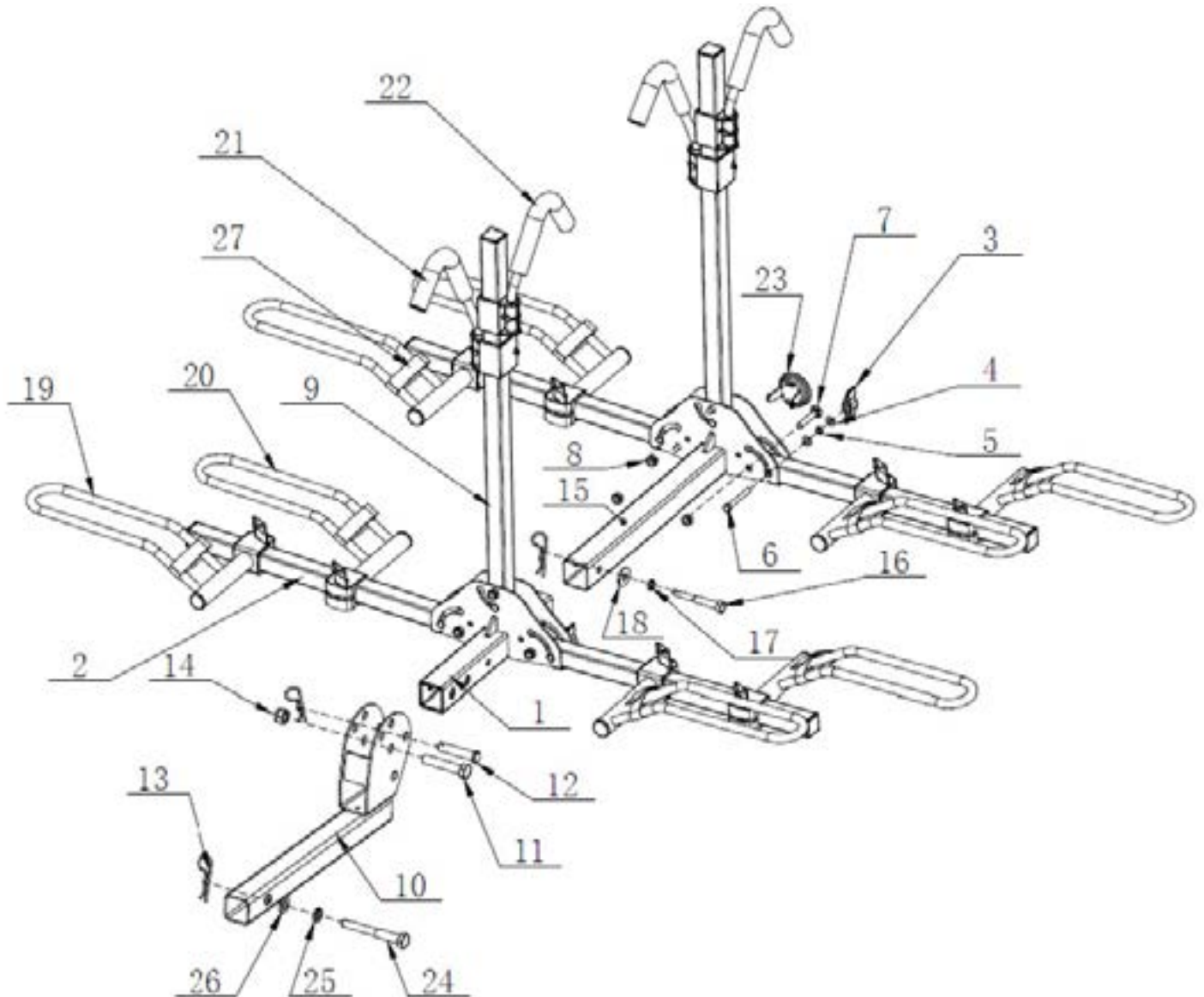
## **GENERAL GUIDELINES & SAFETY**

- It is the user's responsibility to read and follow all instructions
- Keep these instructions with the product at all times and review before each use
- It is the responsibility of this product's owner to furnish the instructions to any person that borrows or purchases the product
- Inspect the product before use to ensure it is assembled properly and all parts are in safe working order and free of defects
- Never modify this product in any way
- All circumstances cannot be addressed in these instructions
- Please use common sense and practice general safety measures when using this product
- Parts and/or instructions are subject to change without notice
- Make sure bike rack is properly secured on hitch mount and bikes are properly secured. Do not use if there is a problem with fit
- Never exceed the 4-bike/160-lb. max weight capacity of bike rack
- For 2" hitches with 2.5" wheel holder
- Make sure bike tires are away from the exhaust to avoid damage
- During transport, periodically check all hardware and straps to ensure they are secured properly
- Use caution when backing up; take the extra length added to the vehicle into consideration
- Do not create excessive downward vertical force on any part of the carrier. This can create force beyond the carrier's load capacity and cause damage to the carrier, bikes, and/or vehicle
- Always check local DOT ordinances regarding the use of hitch racks. In some regions it may be illegal to cover or obscure the license plate and tail lights

# PARTS

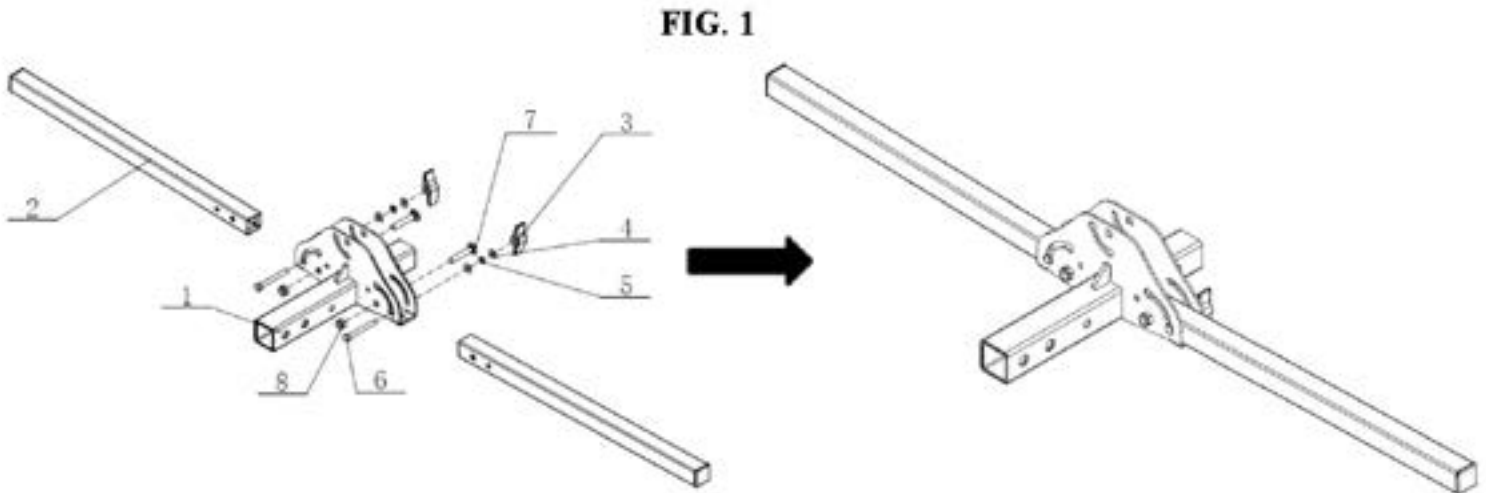
Part#	Description	Qty	Part#	Description	Qty
1	Short Support Base Assembly	1	15	Long Support Base Assembly	1
2	Horizontal Arm	4	16	Short Stabilizing Pin	1
3	5/16" knob	6	17	1/2" Spring Washer	1
4	5/16" flat washer	12	18	1/2" Flat Washer	1
5	5/16" spring washer	6	19	Left Cradle Assembly	4
6	5/16" hexagon bolt	6	20	Right Cradle Assembly	4
7	M10 Carriage Bolt	6	21	Long J-Hook Assembly	2
8	M10 Locknut	6	22	Short J-Hook Assembly	2
9	Vertical Arm	2	23	Reflector	1
10	Folding Shank	1	24	Long Stabilizing Pin	1
11	M16 Bolt	1	25	16 Spring Washer	1
12	5/8" Pin	1	26	16 Flat Washer	1
13	Clip	3	27	Wheel Cradle Strap	8
14	M16 Locknut	1			

Recommended Tools (not included): 17mm wrench, 19mm wrench, 24mm wrench

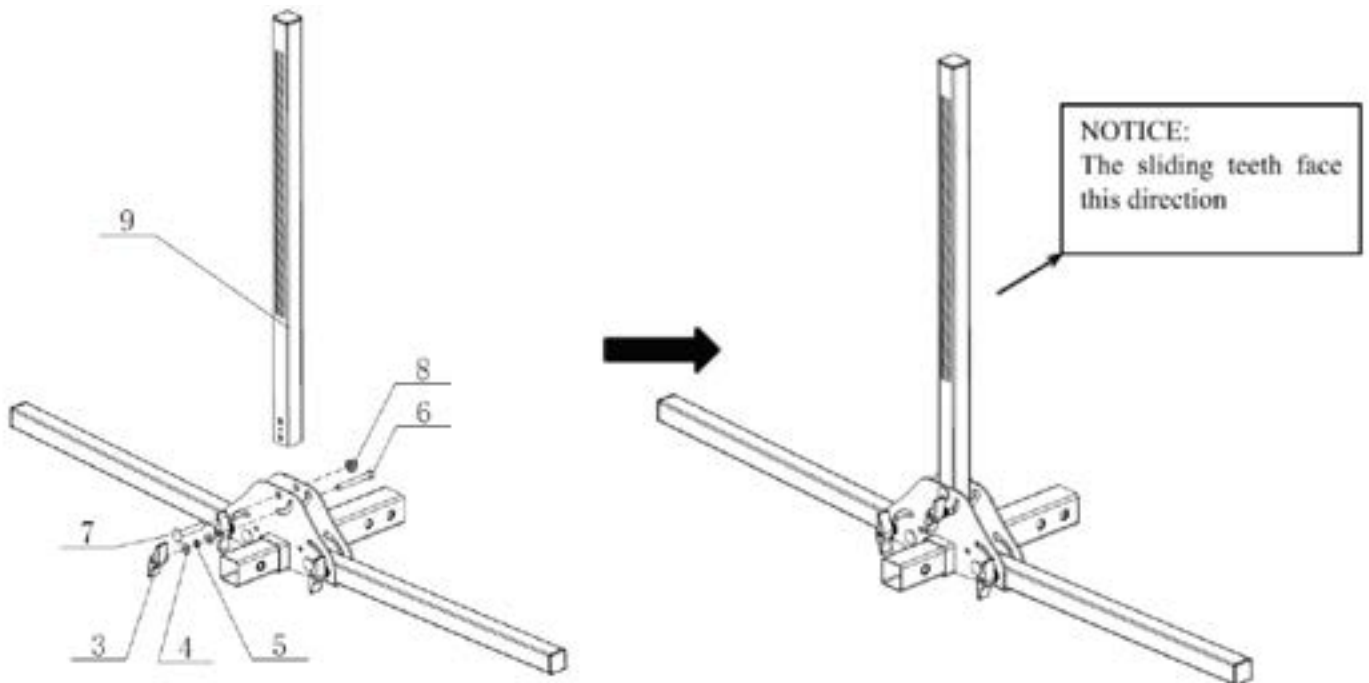


# **ASSEMBLY INSTRUCTIONS**

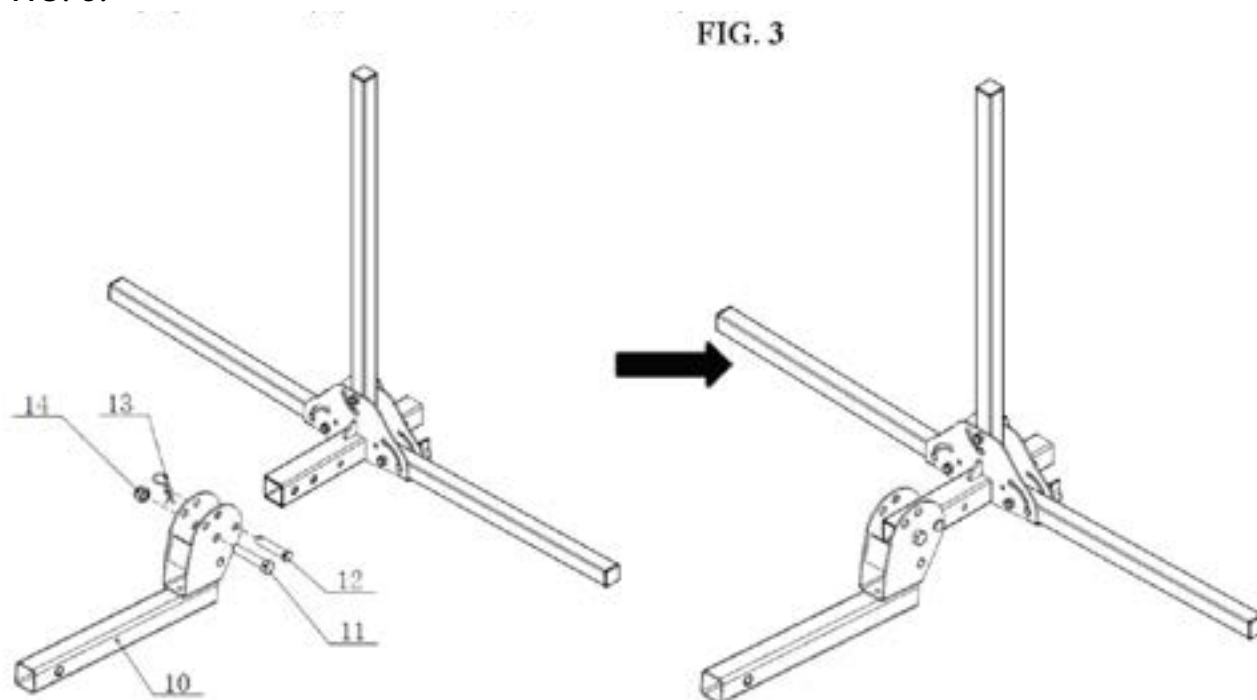
**Step 1.** Assemble the primary frame by connecting the Short Support Base Assembly (part #1) and (2) Horizontal Arms (part #2), using (2) 5/16" knobs, (4) 5/16" flat washers, (2) 5/16" spring washers, (2) 5/16" hexagon bolts, (2) M10 Carriage bolts and (2) M10 Locknuts (parts #3, #4, #5, #6, #7 & #8). See FIG. 1.



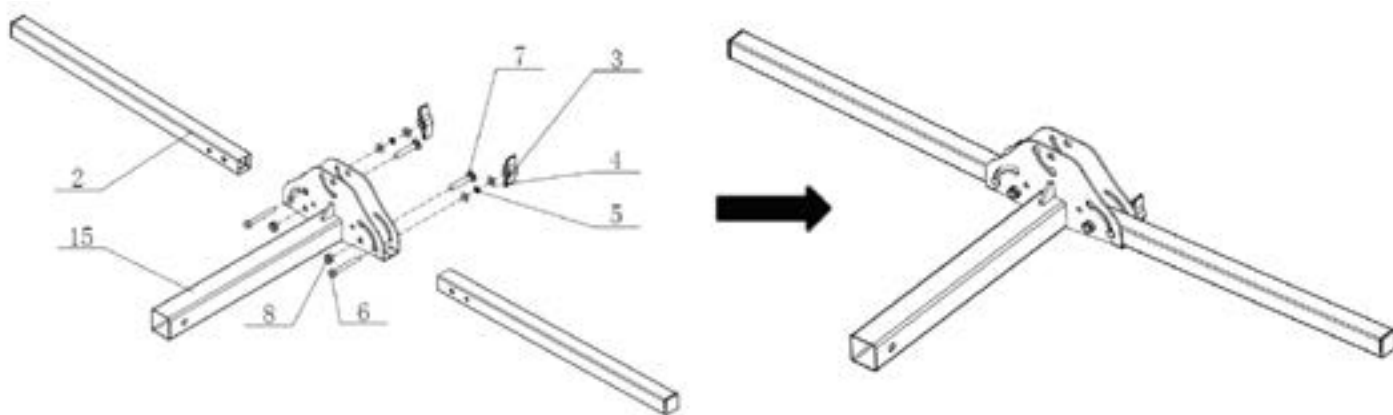
**Step 2.** Place Vertical Arm (part #9) into the Short Support Base Assembly by using M10 Carriage Bolt and M10 Locknut (parts #7 & #8). With the Vertical Tube in a vertical position, insert the 5/16" hexagon bolt (part #6), through the 5/16" flat washer (part #4), the 5/16" spring washer (part #5) and the 5/16" flat washer (part #4), tighten with 5/16" knob (part #3). See FIG. 2.



**Step 3.** Attach Folding Shank (part #10) to Short Support Base Assembly tube, using M16 Bolt and M16 Locknut (parts #11 & #14) and using 5/8" Pin and Clip (parts #12 & #13) for extra safety. See FIG. 3.

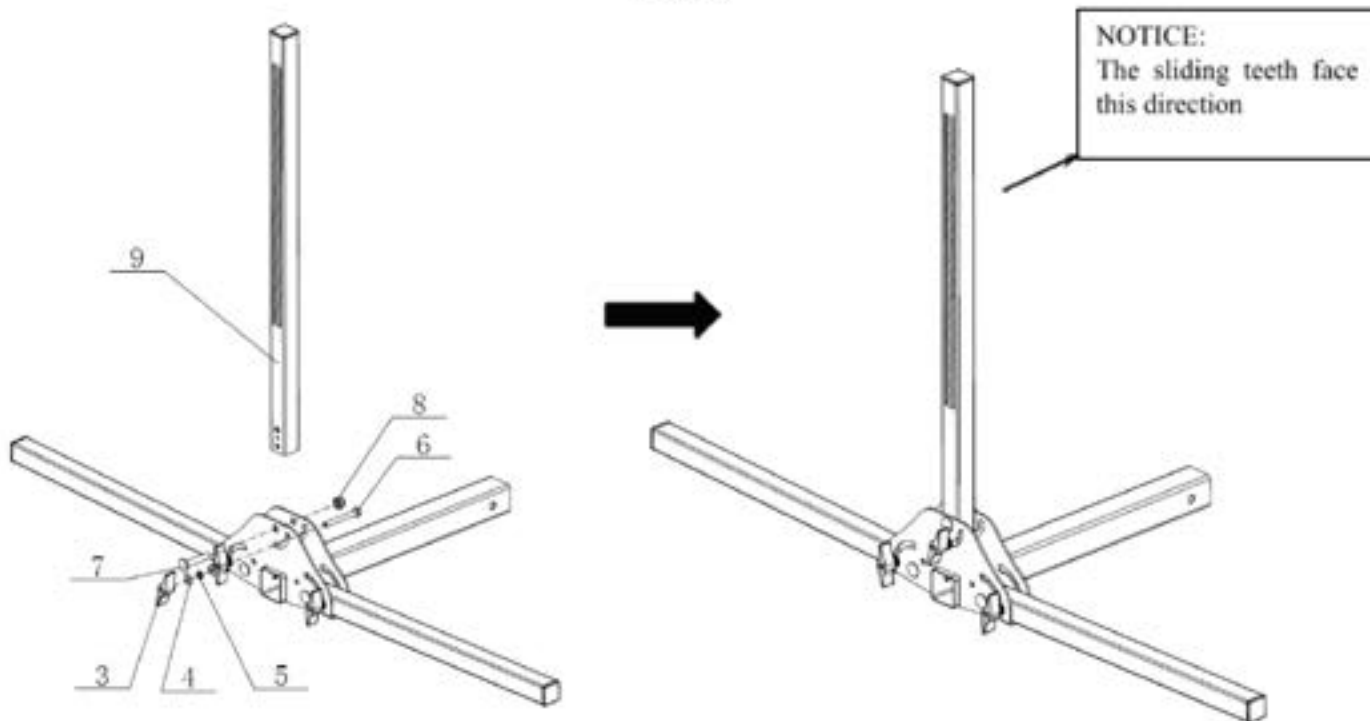


**Step 4.** Assemble the extension frame. Repeat step 1, connecting Long Support Base Assembly (part #15) and (2) Horizontal Arms (part #2), using (2) 5/16" knobs, (4) 5/16" flat washers, (2) 5/16" spring washers, (2) 5/16" hexagon bolts, (2) M10 Carriage bolts and (2) M10 Locknuts (parts #3, #4, #5, #6, #7 & #8). See FIG. 4.

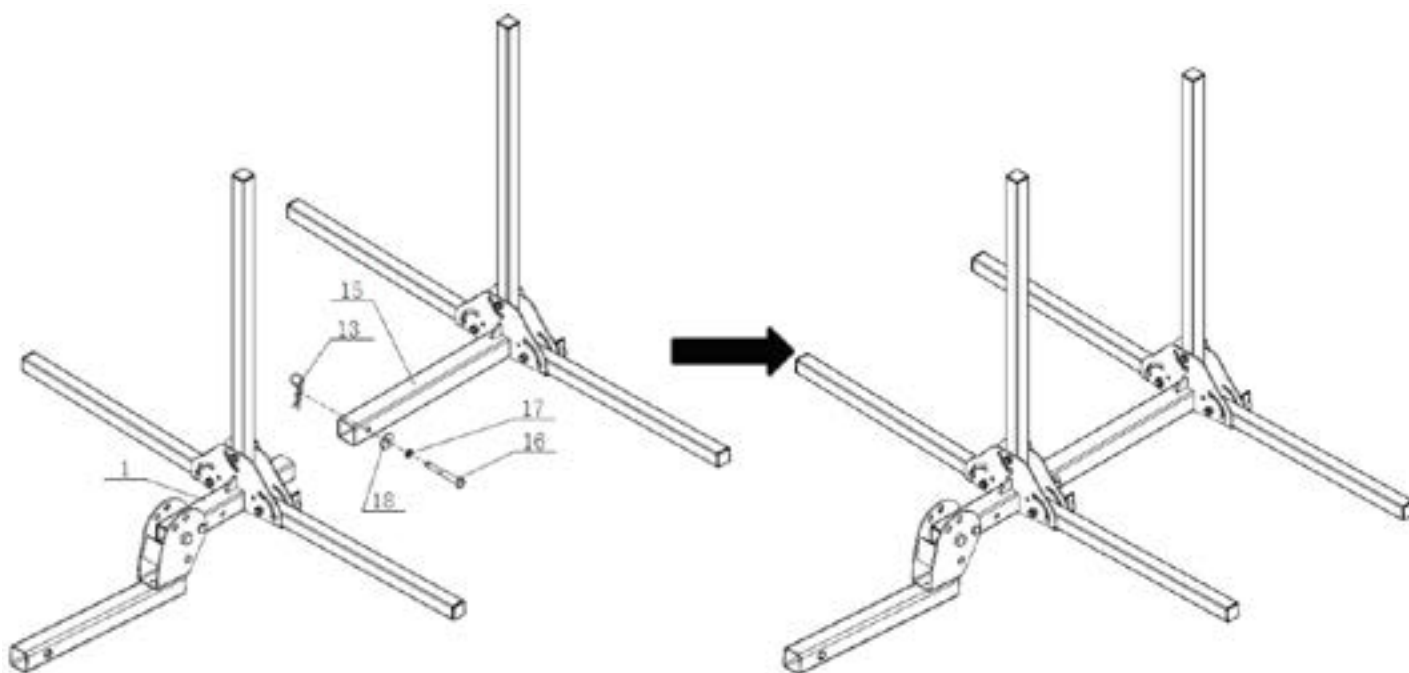


**Step 5.** Repeat step 2, placing Vertical Arm (part #9) on the Long Support Base, using 5/16" knob, (2)5/16" flat washers, 5/16" spring washer, 5/16" hexagon bolt, M10 Carriage Bolt and M10 Locknut (parts #3, #4, #5, #6, #7 & #8). See FIG. 5.

FIG. 5

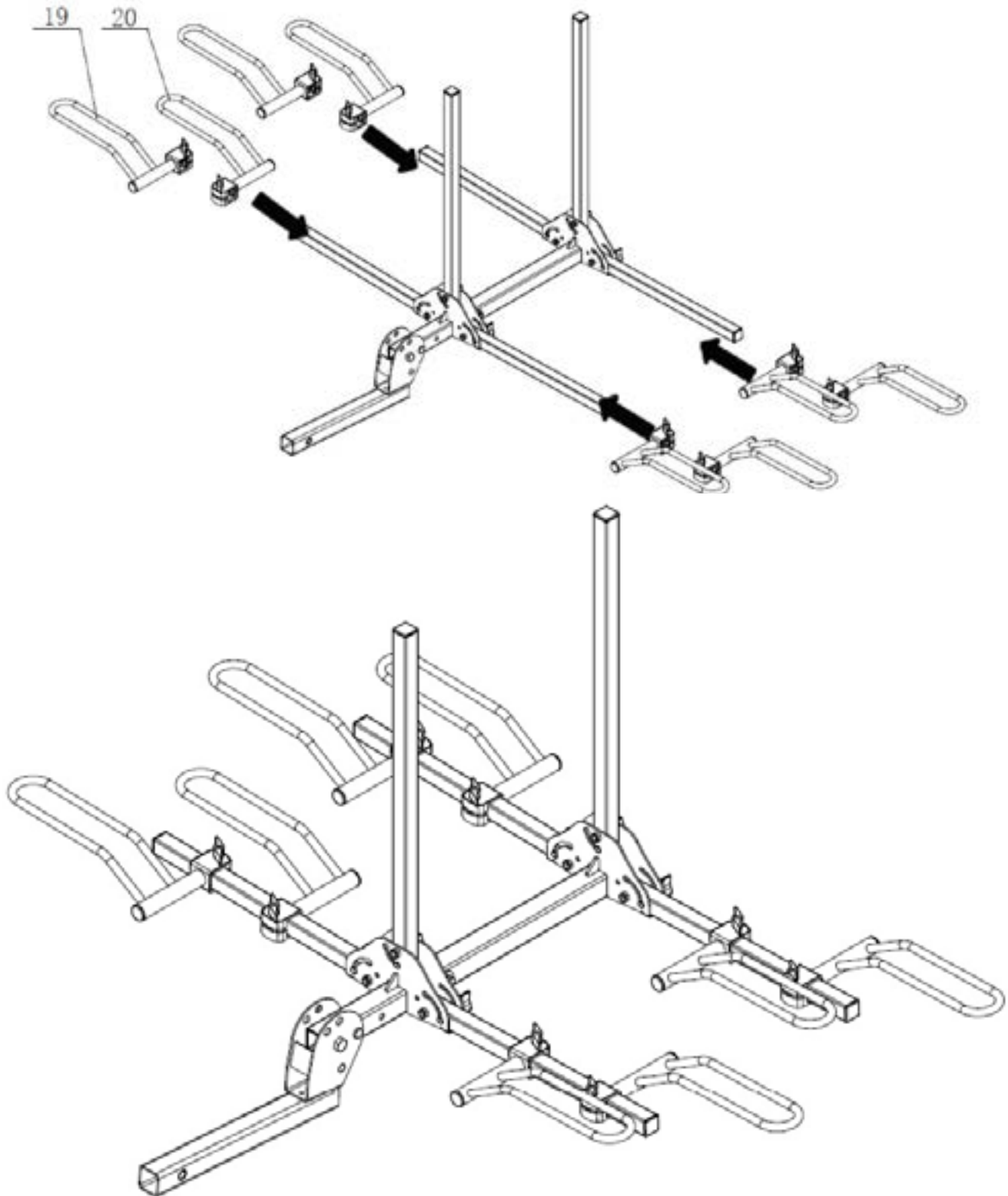


**Step 6.** Insert the Long Support Base (part #15) into the Short Support Base (part #1), controlling the height by inserting the Short Stabilizing Pin, 1/2" Spring Washer and 1/2" Flat Washer (parts #16, #17 & #18). Insert Clip (part #13). See FIG. 6.

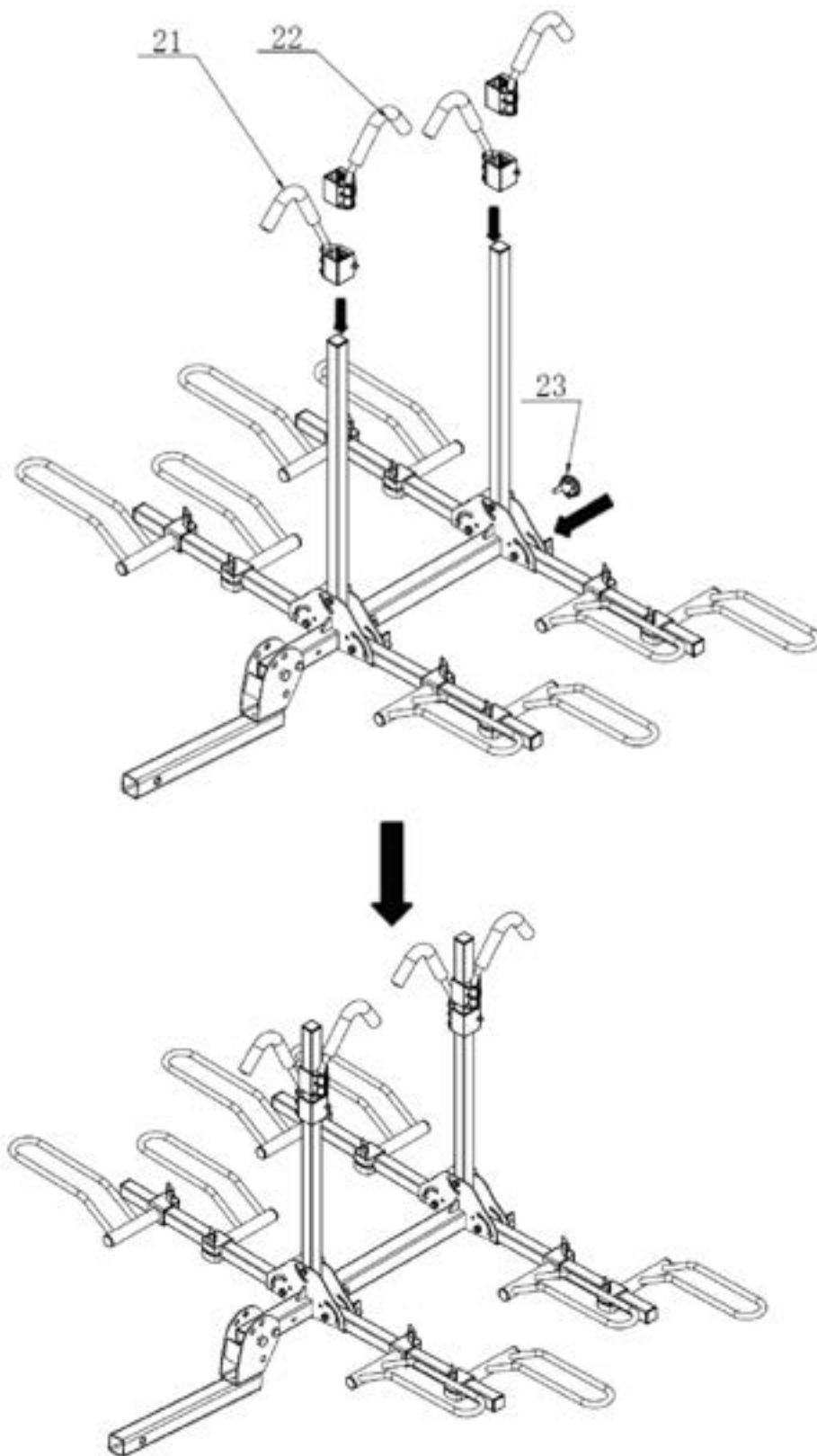


**Step 7.** Slide the Left and Right Cradle Assemblies (parts #19 & #20) onto the Horizontal Arms. Release the knob of the left and right cradle. The knob should be facing up and the loop end of cradle should be facing outward and upward. Insert the cradles in sequence as shown below in FIG. 7. After all 4 cradles are on the Horizontal Arms, tighten. See FIG. 7.

FIG. 7



**Step 8.** Install the (2) Long J-hook Assemblies (part #21) and (2) Short J-hook Assemblies (part #22) onto the Vertical Arm, put the Reflector (part #23) in the hole of the square tube. See FIG. 8.



## **MOUNTING BIKES**

The wheel cradles and J-hook are completely adjustable and slide on the tubes.

1. Load inner bicycle first. Loosen the 5/16" knob and expose the head of the 5/16" hexagon bolt outside the support base assembly, then rotate vertical tube down. See FIG. 10.
2. Load bicycle into Wheel Cradles. Adjust cradles to appropriate position. Ensure tire is well supported at both ends of Wheel Cradles. Tighten cradles to prevent movement. See FIG. 11.

FIG 10

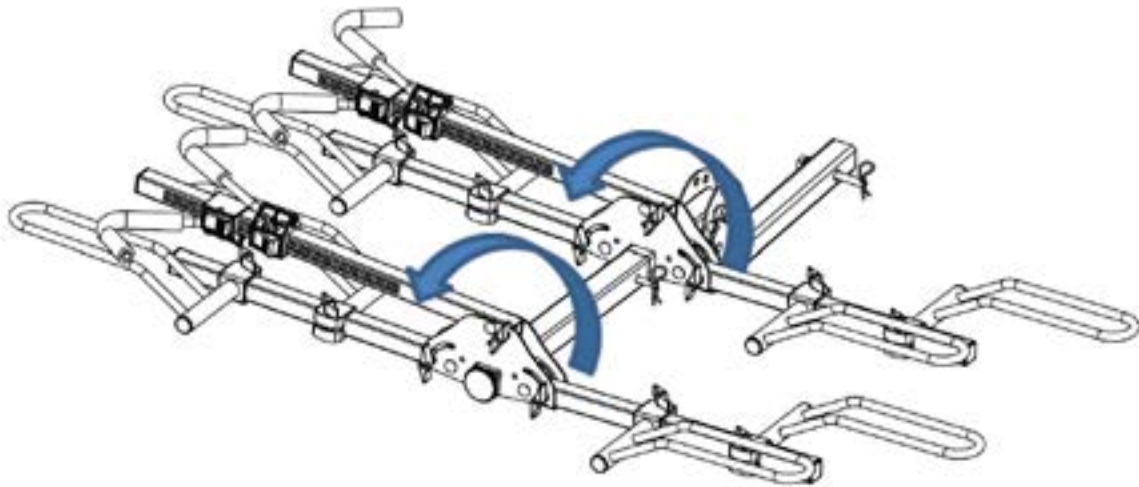
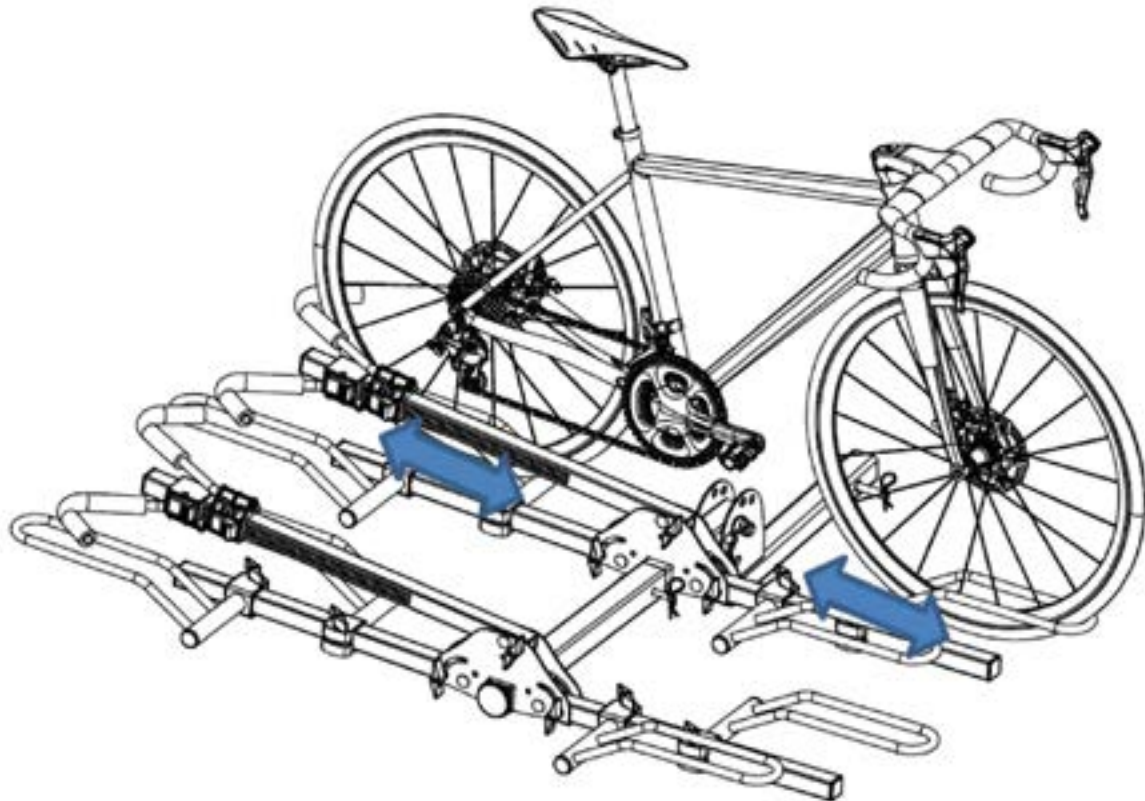
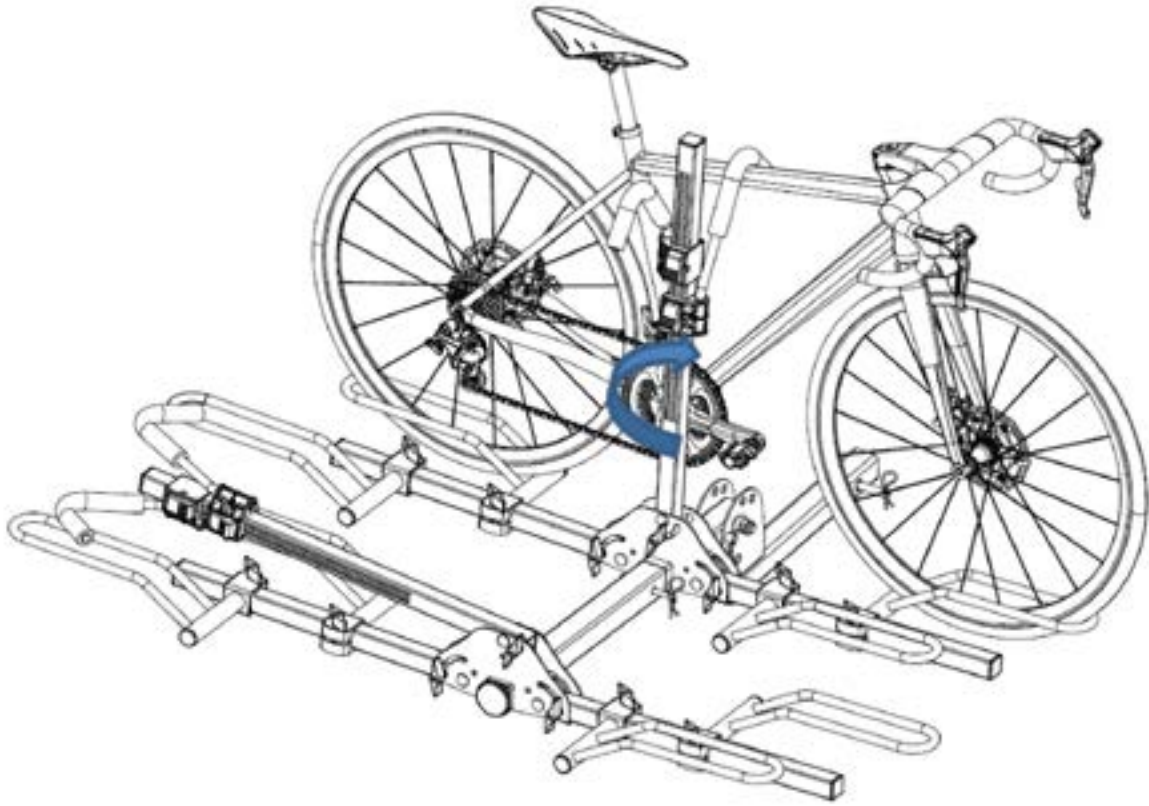


FIG.11





3. Rotate vertical tube to vertical position and lock with the 5/16" knob. Lower J-hook assembly down over bicycle frame. See FIG. 12.
4. Apply downward pressure to bicycle and J-hook assembly. Tighten J-hook assembly and ensure there is no movement of bicycle.



5. Loop (1) Wheel Cradle Strap (part #27) over each wheel and secure. See FIG. 13.  
**Important - Bike tires must be secured to carrier cradle assemblies with the wheel cradle straps.**
6. Load second/third/fourth bicycle as described in Mounting Bikes steps 2 through 5. Reverse direction of every other bicycle to prevent handle bar interference. See FIG. 14.

FIG.13

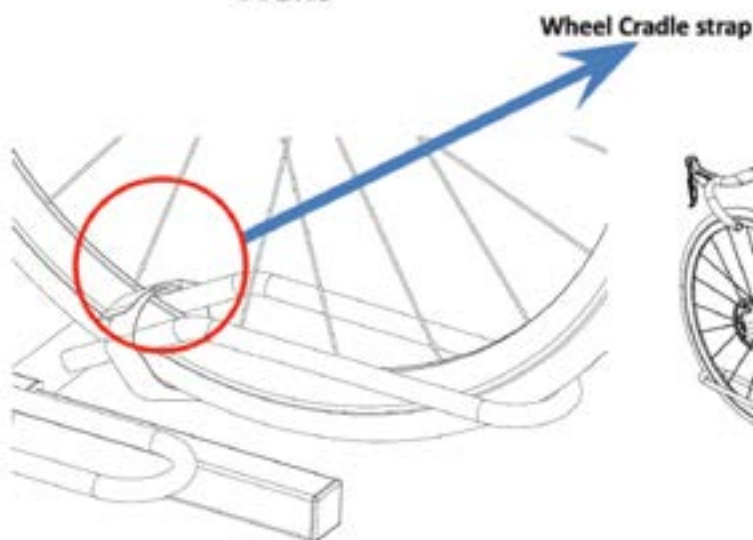
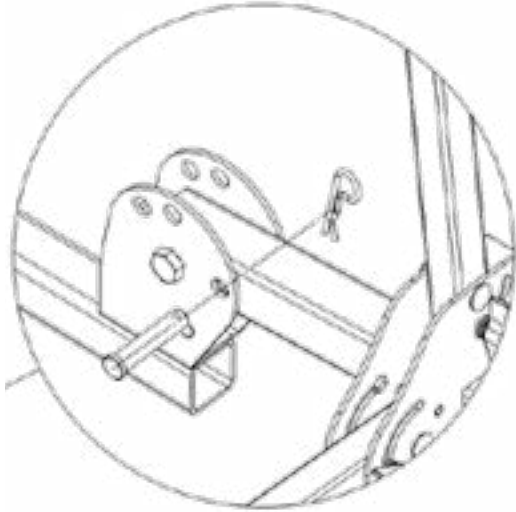


FIG.14



## **TILT-DOWN FEATURE**

Do not place bikes on the wheel cradle when operating the tilt-down feature. For access to the rear of vehicle, remove 5/8" pin and allow the rack to tilt downward. For safety, be sure to securely hold the bike rack while the pin is out. See FIG. 15.

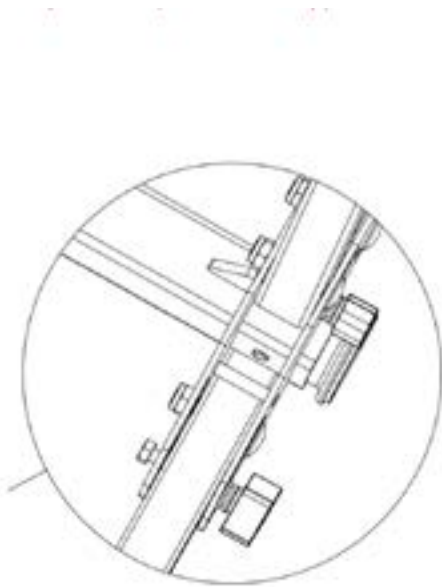


### **⚠ WARNING**

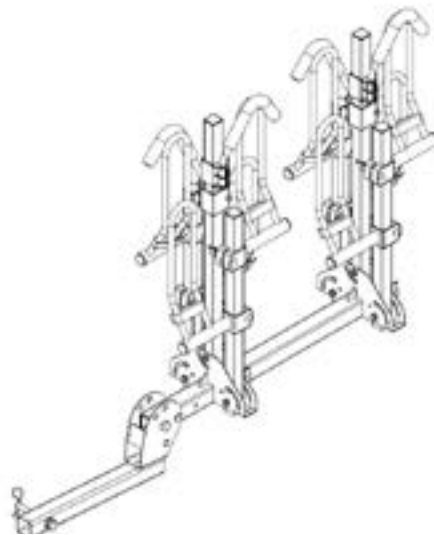
**DO NOT** attempt to pull out the main locking pin or back-up locking pin while there are bikes mounted to the carrier.

## **STORAGE FEATURE**

Loosen the 5/16" knob, rotate the support tube to the vertical states, and then tighten the 5/16" knob. See FIG. 16.



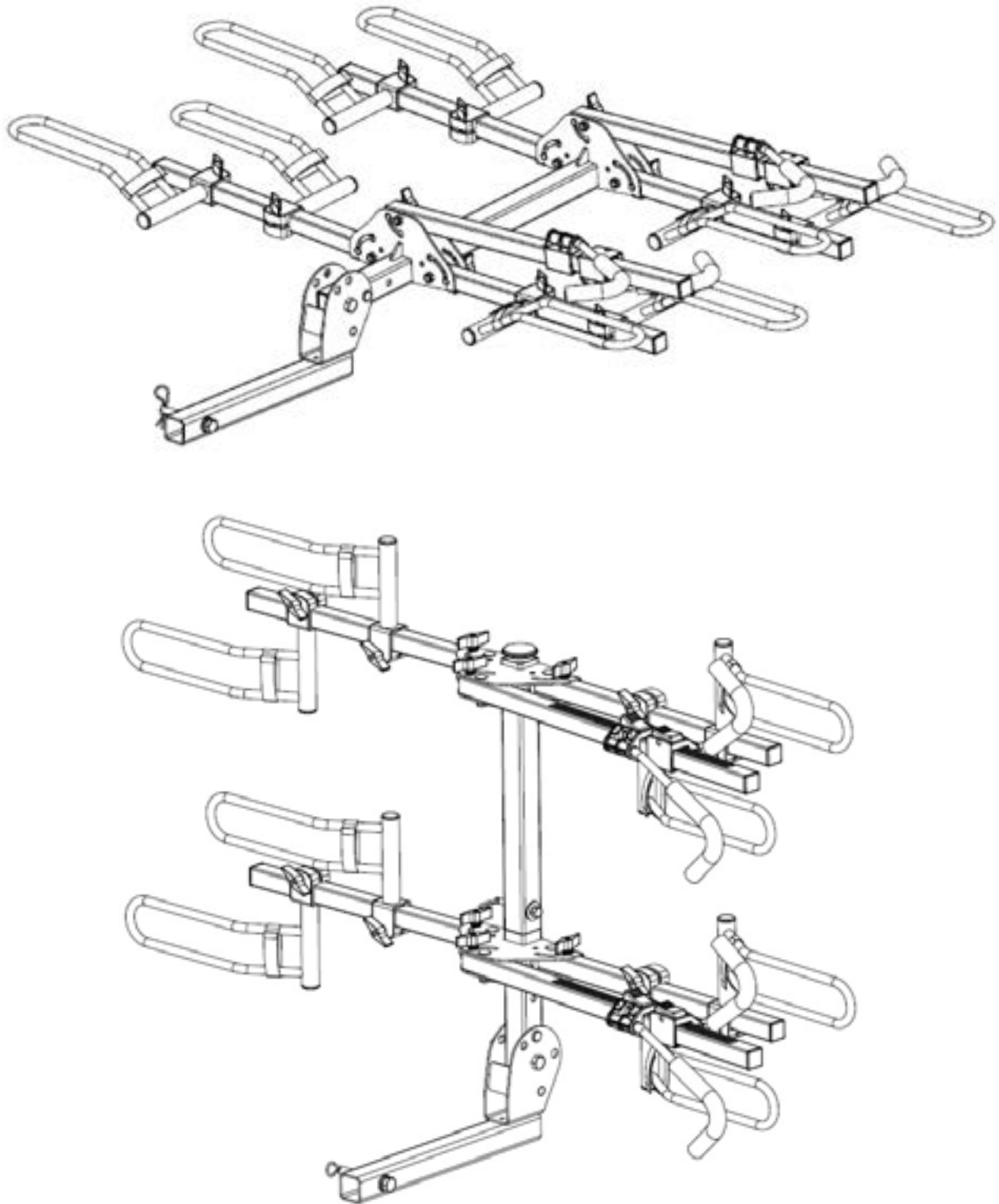
**FIG. 16**



## **FOLDED WHEN NOT IN USE FEATURE**

Fold Vertical Arm to the horizontal position, and then fold the Folding Shank Assembly to the vertical position. See FIG. 17.

FIG. 17



## **PRODUCT WARRANTY & LIABILITY**

**GENERAL PRODUCT WARRANTY:** Products purchased from the Authorized Dealer (original place of purchase) or Merchant ("Dealer") will be free of defects in material and workmanship at the time of receipt, and will meet the specifications stated at the place of purchase transaction or online at the Dealer's website, under normal use and service when correctly installed, operated and maintained. This product warranty is effective for the period of time stated below, unless otherwise stated in the product instructions or depicted in the product advertisement. All Authorized Dealer warranties are NON-TRANSFERABLE and cover only the original end purchaser. This limited warranty does not cover products purchased through non-authorized dealers. Non-authorized dealer receipts are not accepted for warranty verification.

**\*\*\*WARRANTY CLAIMS MUST BE MADE DIRECTLY TO THE ORIGINAL PLACE OF PURCHASE.\*\*\***

**WARRANTY PERIOD:** This warranty remains in force for one year from the date of the product's accepted delivery. The Authorized Dealer offers a one year manufacturer's warranty for most products unless otherwise specified on the product advertisement.

**WARRANTY SERVICE:** The Authorized Dealer will replace any defective or malfunctioning part at no charge, including payment of the shipping costs of parts or replacement product to and from the manufacturer. The purchaser is responsible for labor charges. If the product does not meet specifications as depicted in the advertisement, the Authorized Dealer will refund the full purchase price of the product.

Questions regarding the warranty on a specific product and warranty claims should be directed to the Authorized Dealer with whom the purchase transaction was made.

**WARRANTY LIMITATIONS:** The above warranty does not apply to products that are repaired, modified or altered by any party other than the Authorized Dealer; are subjected to unusual physical stress or conditions (such as overloaded ramps or corrosion), natural disaster, governmental actions, wars, strikes, labor disputes, riots, theft, vandalism, terrorism or any reason beyond reasonable control; are damaged due to improper installation, misuse, abuse, accident or negligence in use, storage, transportation or handling, or tampering; or to products that are considered consumable items or items requiring repair or replacement due to normal wear and tear.

Product should be inspected prior to signing for delivery. Product damage incurred during shipping, unless noted on the Bill of Lading at the time of delivery, renders this warranty void.

**LIMITED LIABILITY:** In no event shall **THE AUTHORIZED DEALER** be liable to the purchaser or any third party for any indirect, incidental, consequential, special, exemplary or punitive damages arising out of the use of the product, including, without limitation, property damage, loss of value of the product or any third party products that are used in or with the product, or loss of use of the product or any third party products that are used in or with the product.

