



## Instructions for Parts #BC-7806-2J and BC-7806-4J

### **GENERAL GUIDELINES**

- It is the user's responsibility to read and follow all instructions.
- Keep these instructions with the product at all times and review before each use.
- It is the responsibility of this product's owner to furnish the instructions to any person that borrows or purchases the product.
- Inspect the product before use to ensure it is assembled properly and all parts are in safe working order and free of defects.
- Never modify this product in any way.
- All circumstances cannot be addressed in these instructions. Please use common sense and practice general safety measures when using this product.
- Parts and/or instructions are subject to change without notice.

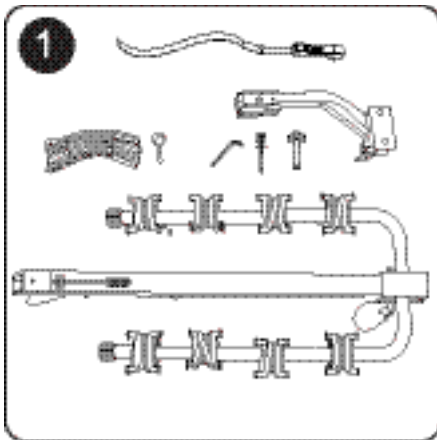
### **SAFETY**

- Make sure bike rack is properly secured on hitch mount and bikes are properly secured. Do not use if there is a problem with fit.
- Never exceed 4 bike/150 lb. max weight capacity of bike rack.
- Not recommended for tow-behind trailers, including 5th wheel and camping trailers, motorhomes or RVs.
- For 1-1/4" Class I/II hitch receivers or 2" Class III/IV hitch receivers.
- Never tilt bike rack while loaded.
- Make sure bike tires are away from the exhaust to avoid damage.
- During transport, periodically check all hardware and straps to ensure they are secured properly.
- Use caution when backing up; take the extra length added to the vehicle into consideration.
- Do not create excessive downward vertical force on any part of the carrier. This can create force beyond the carrier's load capacity and cause damage to the carrier, bikes, and/or vehicle.
- Remove the bike rack before entering an automatic car wash.
- Always check local DOT ordinances regarding the use of hitch racks. In some regions it may be illegal to cover or obscure the license plate and tail lights.

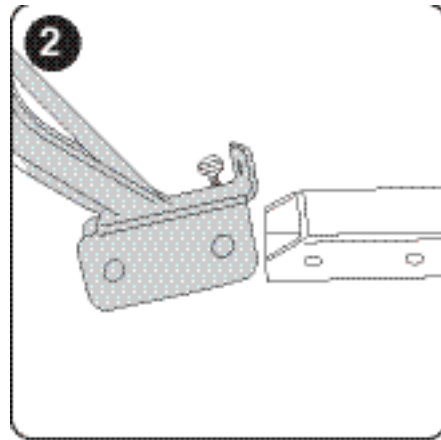


- 1 Supporting arm
- 2 Mast
- 3 Receiving bar
- 4 Multi-faceted bike holders (patented in US, TW, and CN)
- 5 Rubber straps
- 6 Lever

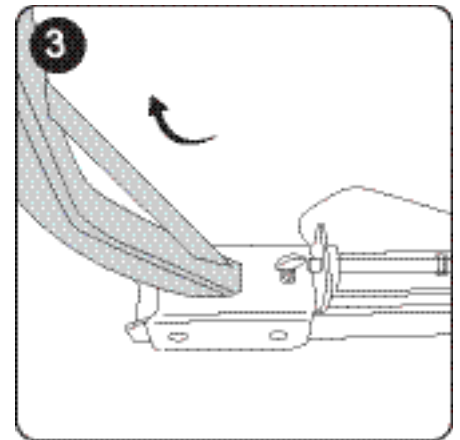
## **ASSEMBLY AND INSTALLATION**



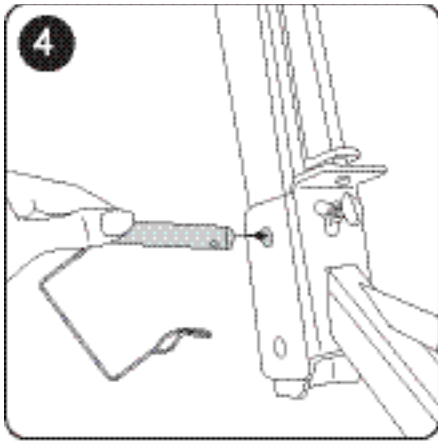
Please check all items in the box: mast with arm, draw bar, 8 straps (for 4J version) and 4 straps (for 2J version), 1 hitch bolt with lock washer and flat washer, 1 pivot bolt with 2 washers and 1 nut, 1 hex key, 1 clevis pin and 1 safety strap for bicycles.



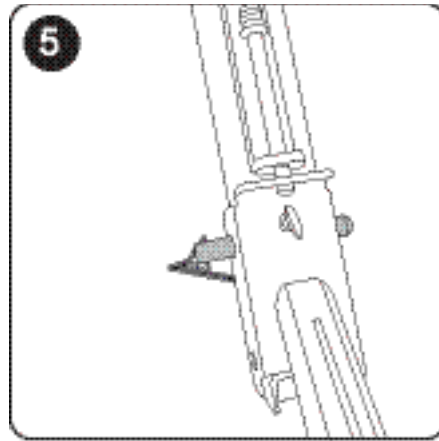
**First, please install the mast to the receiving bar.**



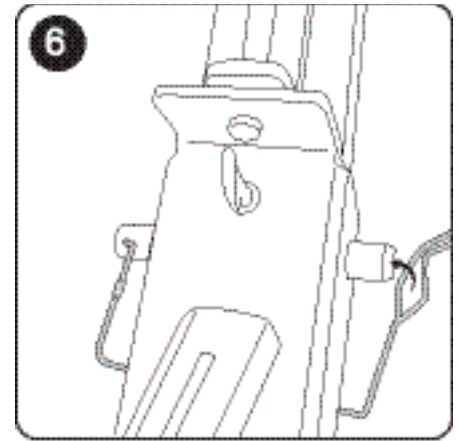
**Now align the holes.**



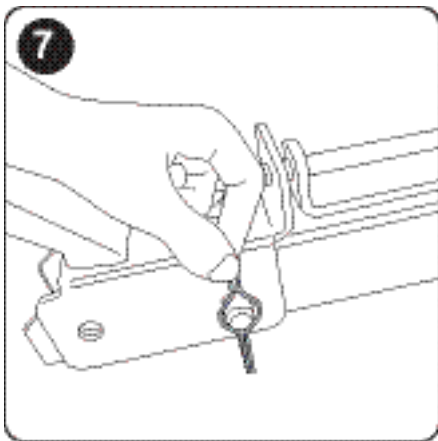
**4**  
Insert the security pin (which is preinstalled from the mast) to the upper hole of hitch receiver.



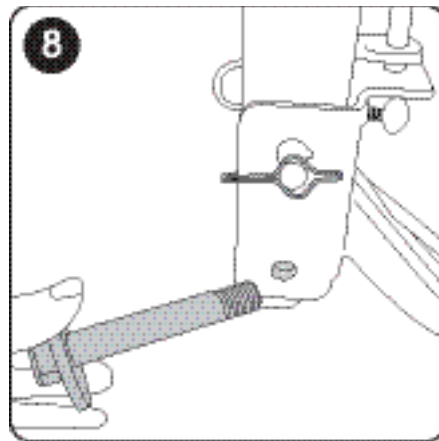
**5**  
Make sure the pin is completely through the mast and the hitch receiver.



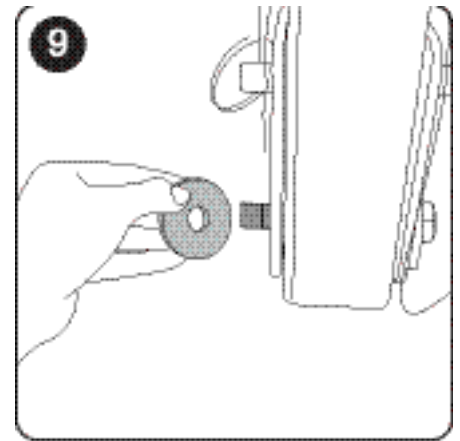
**6**  
Close the latch on the security pin.



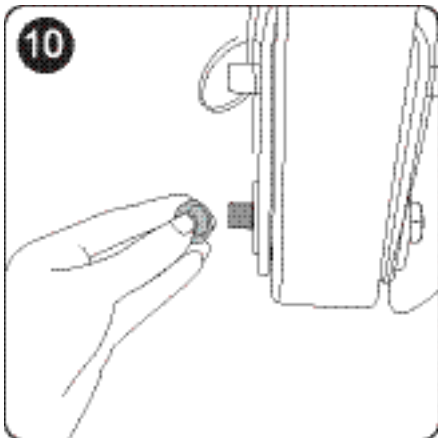
**7**  
This will prevent the disconnection of mast from hitch receiver.



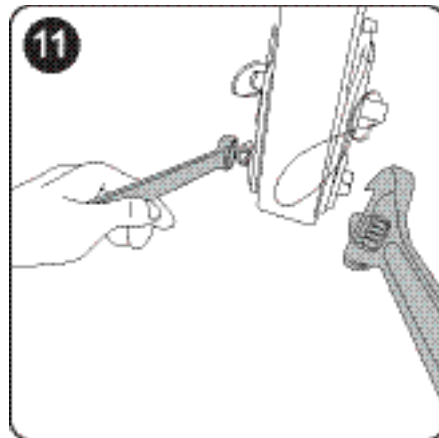
**8**  
Insert the pivot bolt into the lower hole of receiving bar.



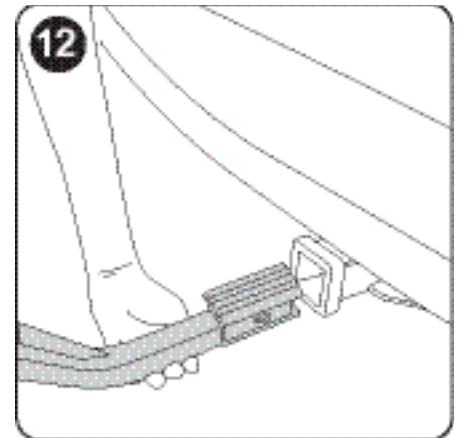
**9**  
Note the two flat washers have to be against two sides of draw bar.



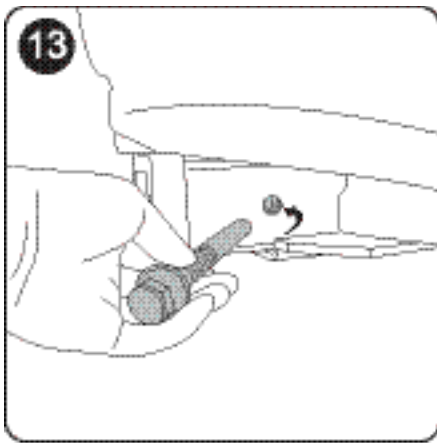
**10**  
Install the locking nut to the bolt.



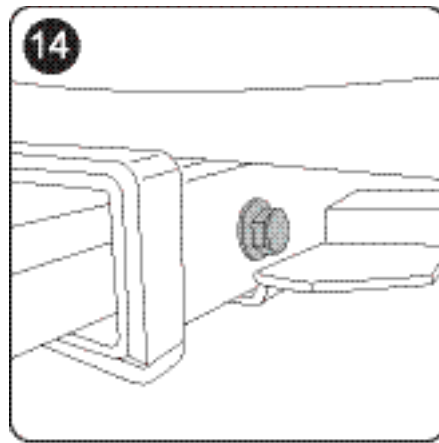
**11**  
Use wrench to secure the bolt.



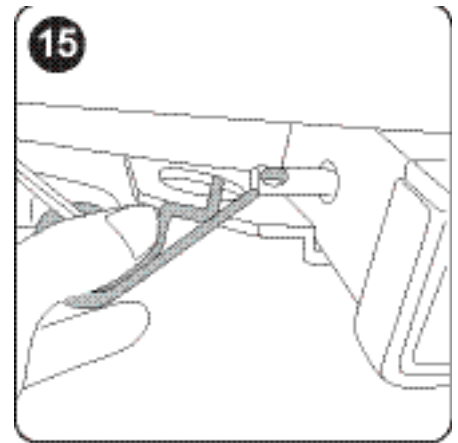
**12**  
Now install the rack to the receiver hitch. Align the holes. Note: If you have a 1-1/4" receiver hitch, you need to use hex key to disconnect the aluminum sleeve from the receiving bar.



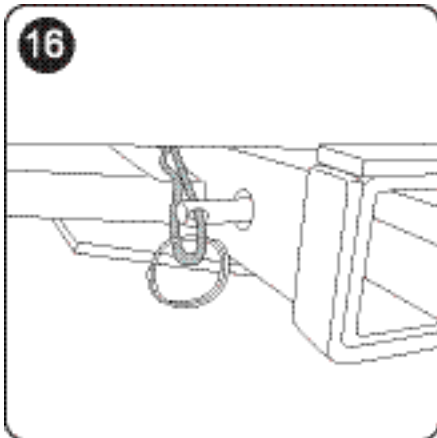
Insert the hitch bolt from the "opened side" of aluminum sleeve. This way will reduce the wobble of the rack at the road. Caution: never insert the hitch bolt from the closed side of aluminum sleeve.



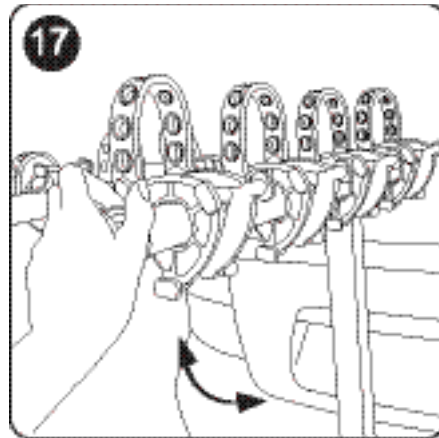
The diagram illustrates the correct installation of hitch bolt.



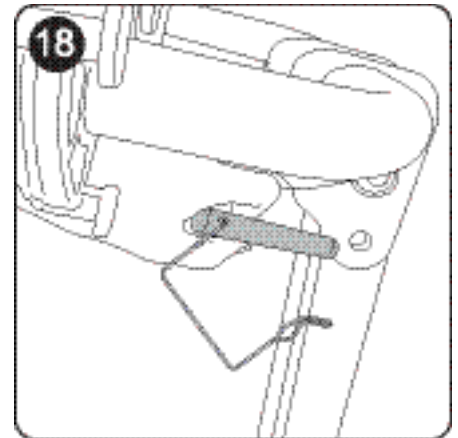
Insert the clevis pin into the hole of hitch bolt.



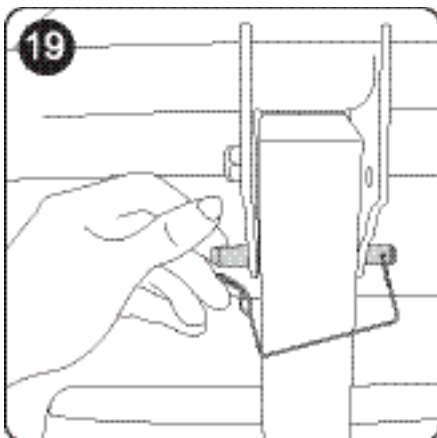
The diagram demonstrates the correct installation of hitch bolt.



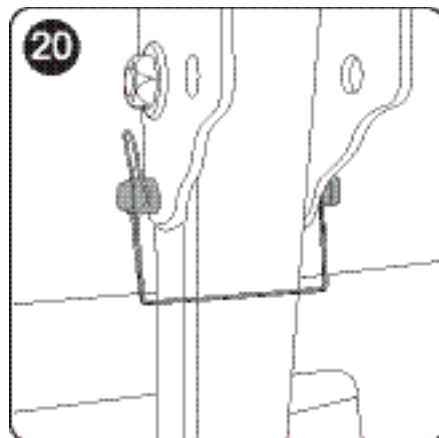
Move the supporting arm upward.



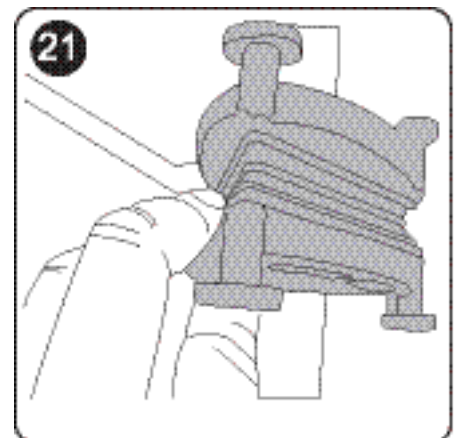
Insert the security pin (which is preinstalled from the supporting arm) to the holes of supporting arm and mast.



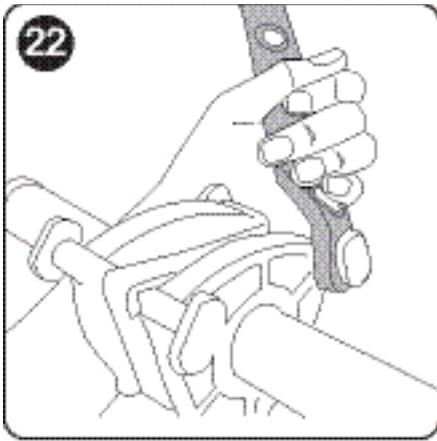
Close the latch on the security pin.



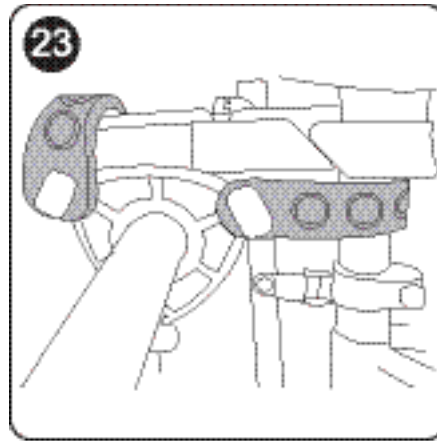
This demonstrates the correct installation of clevis pin.



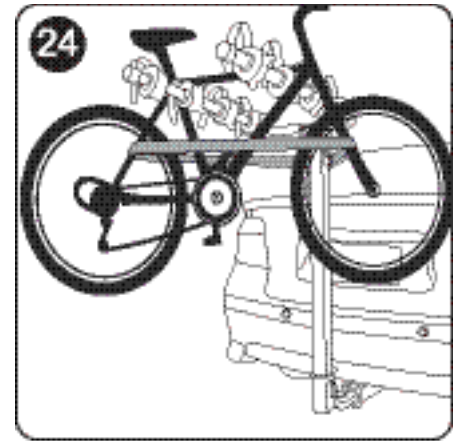
Before mount the bikes, if the hitch racks equipped with multi faceted bike holder, you can choose the best side of bike holder to fit your bike frame.



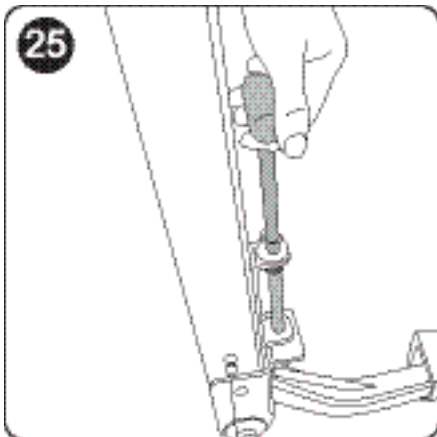
**22**  
Install the rubber strap to the protrusion part of bike holder. Then secure the bike frame by installing it to the other part of bike holder.



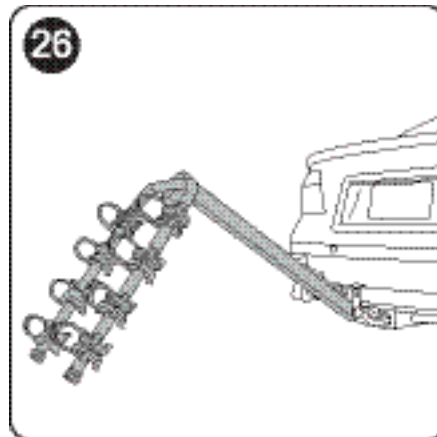
**23**  
For more security, you can secure the bikes with lower strap. The preferred location is on the seat tube. For hard to mount bikes, you can buy bike adaptor to create an artificial top tube.



**24**  
This demonstrates the correct installation of bike carrier. Note: for additional security, please use the additional security strap to tie the mast of rack with bike frame and wheels. This way can also reduce the swaying of wheels on the road.



**25**  
When you need to access the rear cargo, you can take out the security pin then lift up the lever. The rack will tilt forward. Caution: Tilting is only allowed when bikes are not mounted.



**26**  
The diagram illustrates the tilting of bike carrier. When you pull the mast back, remember that the lever is fully engaged back to the position.



## **PRODUCT WARRANTY & LIABILITY**

**GENERAL PRODUCT WARRANTY:** Products purchased from the Authorized Dealer (original place of purchase) or Merchant ("Dealer") will be free of defects in material and workmanship at the time of receipt, and will meet the specifications stated at the place of purchase transaction or online at the Dealer's website, under normal use and service when correctly installed, operated and maintained. This product warranty is effective for the period of time stated below, unless otherwise stated in the product instructions or depicted in the product advertisement. All Authorized Dealer warranties are NON-TRANSFERABLE and cover only the original end purchaser. This limited warranty does not cover products purchased through non-authorized dealers. Non-authorized dealer receipts are not accepted for warranty verification.

**\*\*\*WARRANTY CLAIMS MUST BE MADE DIRECTLY TO THE ORIGINAL PLACE OF PURCHASE.\*\*\***

**WARRANTY PERIOD:** This warranty remains in force for one year from the date of the product's accepted delivery. The Authorized Dealer offers a one year manufacturer's warranty for most products unless otherwise specified on the product advertisement.

**WARRANTY SERVICE:** The Authorized Dealer will replace any defective or malfunctioning part at no charge, including payment of the shipping costs of parts or replacement product to and from the manufacturer. The purchaser is responsible for labor charges. If the product does not meet specifications as depicted in the advertisement, the Authorized Dealer will refund the full purchase price of the product.

Questions regarding the warranty on a specific product and warranty claims should be directed to the Authorized Dealer with whom the purchase transaction was made.

**WARRANTY LIMITATIONS:** The above warranty does not apply to products that are repaired, modified or altered by any party other than the Authorized Dealer; are subjected to unusual physical stress or conditions (such as overloaded ramps or corrosion), natural disaster, governmental actions, wars, strikes, labor disputes, riots, theft, vandalism, terrorism or any reason beyond reasonable control; are damaged due to improper installation, misuse, abuse, accident or negligence in use, storage, transportation or handling, or tampering; or to products that are considered consumable items or items requiring repair or replacement due to normal wear and tear.

Product should be inspected prior to signing for delivery. Product damage incurred during shipping, unless noted on the Bill of Lading at the time of delivery, renders this warranty void.

**LIMITED LIABILITY:** In no event shall **THE AUTHORIZED DEALER** be liable to the purchaser or any third party for any indirect, incidental, consequential, special, exemplary or punitive damages arising out of the use of the product, including, without limitation, property damage, loss of value of the product or any third party products that are used in or with the product, or loss of use of the product or any third party products that are used in or with the product.

