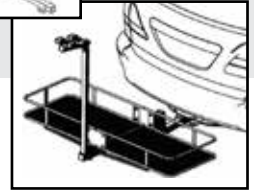




Cargo Carrier with Bike Rack

Instructions for Part # BCCB-1169



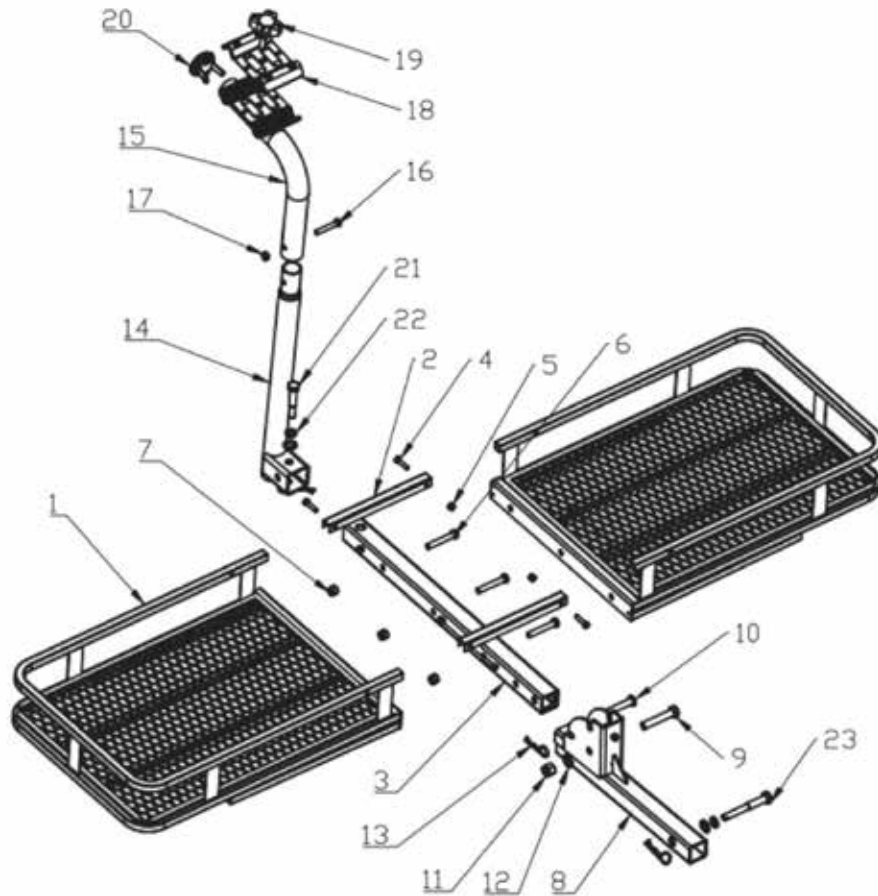
General Guidelines

- It is the user's responsibility to read and follow all instructions.
- Keep these instructions with the product at all times and review before each use.
- It is the responsibility of this product's owner to furnish the instructions to any person that borrows or purchases the product.
- Inspect the product before use to ensure it is assembled properly and all parts are in safe working order and free of defects.
- Never modify this product in any way.
- All circumstances cannot be addressed in these instructions. Please use common sense and practice general safety measures when using this product.
- Parts and/or instructions are subject to change without notice.

Safety

- When used with the 2-bike rack, the carrier basket capacity is 400 lbs and the bike rack capacity is 80 lbs.
- When used with the 4-bike rack, the carrier basket capacity is 300 lbs and the bike rack capacity is 120 lbs.
- For use with 2" Class III and IV hitch receivers only.
- Never exceed the maximum trailer hitch tongue weight rating of your trailer hitch.
- Make sure the carrier is properly secured on the trailer hitch mount and all bikes are properly secured. Do not use if there is a problem with fit.
- Always check local DOT ordinances regarding the use of hitch carriers. In some regions it may be illegal to cover or obscure the license plate and tail lights.
- Always follow local traffic rules.
- Always inspect your hitch carrier for loose bolts, damage, or rusting before use. DO NOT USE carrier if damaged. Replace or repair damaged or worn parts immediately.
- This carrier is designed for temporary use only. Remove when not in use or before going through a car wash.
- Never block or impede vehicle exhaust. This can be a fire hazard or damage personal property and the vehicle.
- Place heaviest bike closest to the receiver.
- Distribute loads evenly and secure with tie down straps or bungee cords (sold separately). Uneven loads may cause tipping, resulting in damage and injury.
- Periodically recheck the carrier and load during travel, especially during bad weather, heavy traffic, or when driving at high speeds.
- Avoid excessive speed, sharp turns, and sudden braking when using the carrier.
- DO NOT use on tow-behind trailers or RVs, including 5th wheel and camping trailers.
- NOT recommended for hitches less than 12" from the ground to the bottom of the hitch without the use of a riser adapter.
- Keep children and bystanders away while assembling, installing, or removing the carrier. Keep the work area clean, free of clutter, and well lit.
- Failure to follow these instructions can lead to serious injury and property damage and will void the warranty.

Diagram and Parts List



Part #	Description	Qty
1	Basket Frame	2
2	Connecting Piece	2
3	Square Tube	1
4	M8x35 Bolt	4
5	M8 Lock Nut	4
6	M12x75 Bolt	3
7	M12 Lock Nut	3
8	Rotating Receiver	1
9	M16x85 Hexagon Head Bolt	1
10	14 Pin	1
11	M16 Lock Nut	1
12	16 Flat Washer	3

Part #	Description	Qty
13	Clip	3
14	Center Support	1
15	Bracket Arm	1
16	M10x60 Bolt	1
17	M10 Lock Nut	1
18	"W" Plate	1
19	Handle	1
20	Reflector	1
21	M16 Short Shockproof Bolt	1
22	16 Spring Washer	2
23	M16 Shockproof Bolt	1

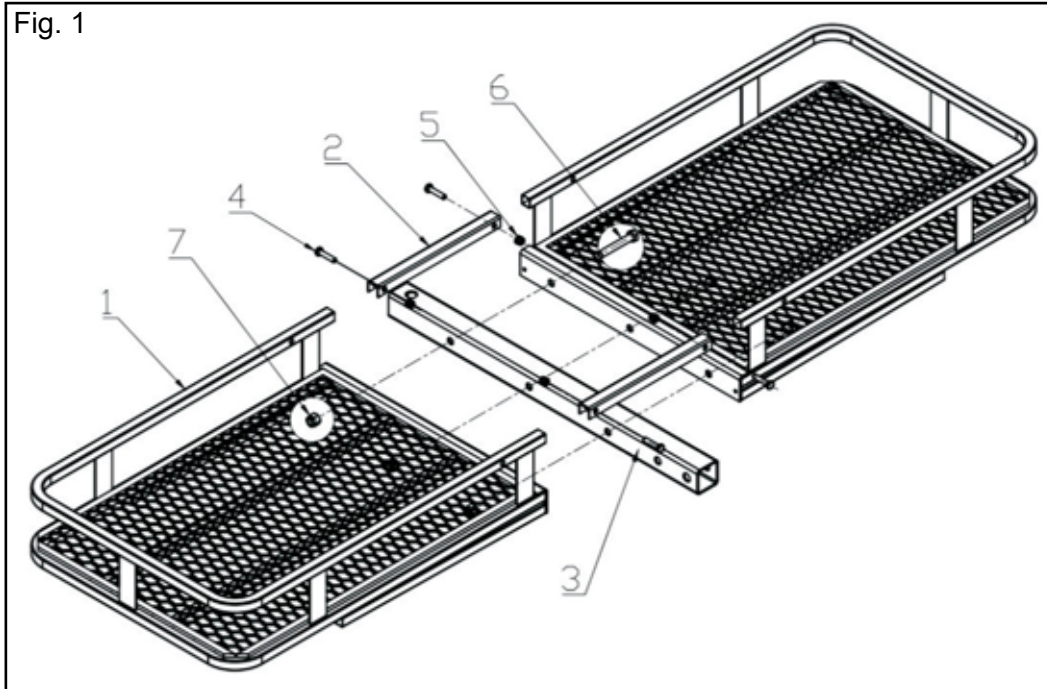
Recommended Tools: 13mm wrench, 16mm wrench, 18mm wrench, 24mm wrench, adjustable wrench

Assembly

Step 1. Connect the two frames (1) using a connecting piece (2). Line up the corresponding holes, then secure with two M8x35 bolts (4) and M8 lock nuts (5). Repeat with the second connecting piece (2) on the other side. Do not tighten bolts completely yet.

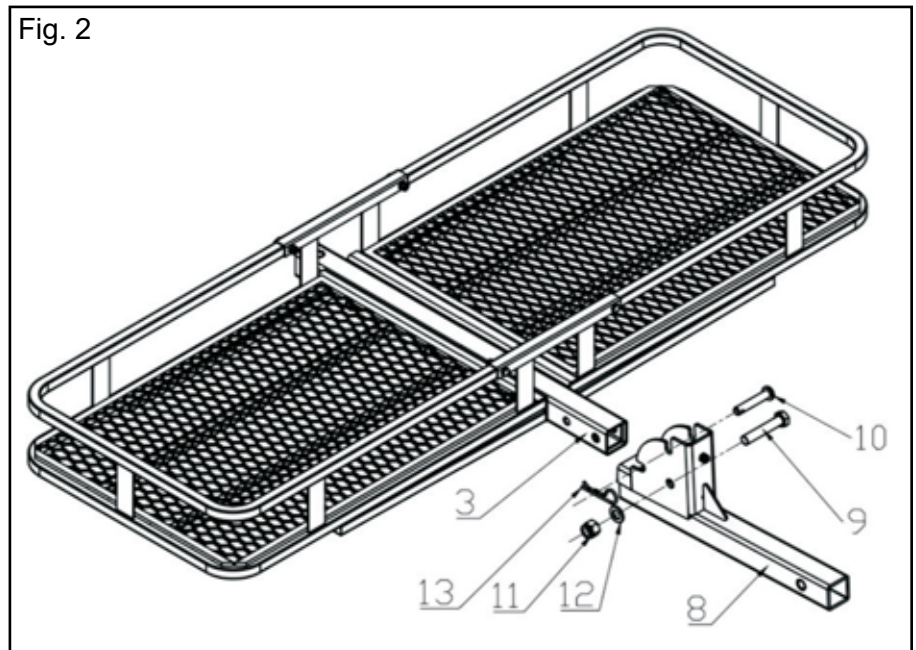
Place the square tube (3) on the middle of the assembled frame. Secure in place with three M12x75 bolts (6) and three M12 lock nuts (7). Do not tighten completely yet.

Check that the two frame side align horizontally, then tighten all nuts and bolts.

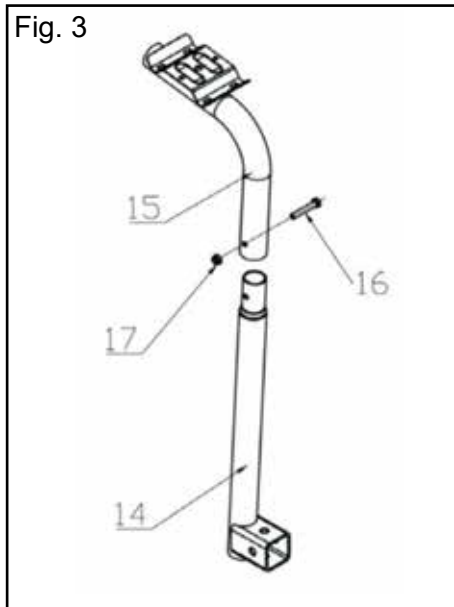


Step 2. Insert the square tube (3) into the rotating receiver (8) and align all the holes. Fit the M16x85 hexagon head bolt (9) into the large hole, then secure using the 16 flat washer (12) and M16 lock nut (11). Fit the 14 pin (10) into the hole allowing for rotation. Secure with a clip (13).

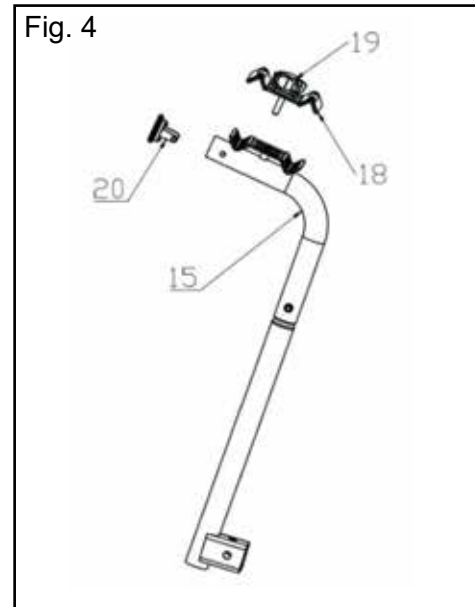
Note: Be careful not to over-tighten the M16 lock nut in order to allow for proper rotation.



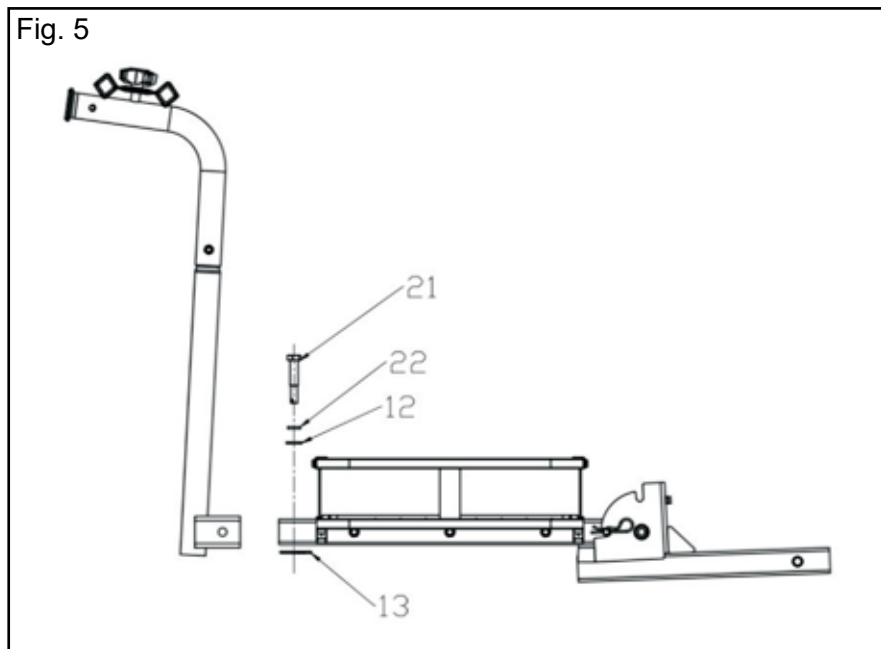
Step 3. Secure the bracket arm (15) to the center support (14) using an M10x60 bolt (16) and M10 lock nut (17).



Step 4. Attach the "W" plate (18) onto the bracket arm (15) using the handle (19). Fit the reflector (20) onto the bracket arm (15).



Step 5. Attach the bike rack onto the cargo carrier, securing in place with the M16 short shockproof bolt (21), 16 spring washer (22), 16 flat washer (12), and clip (13).

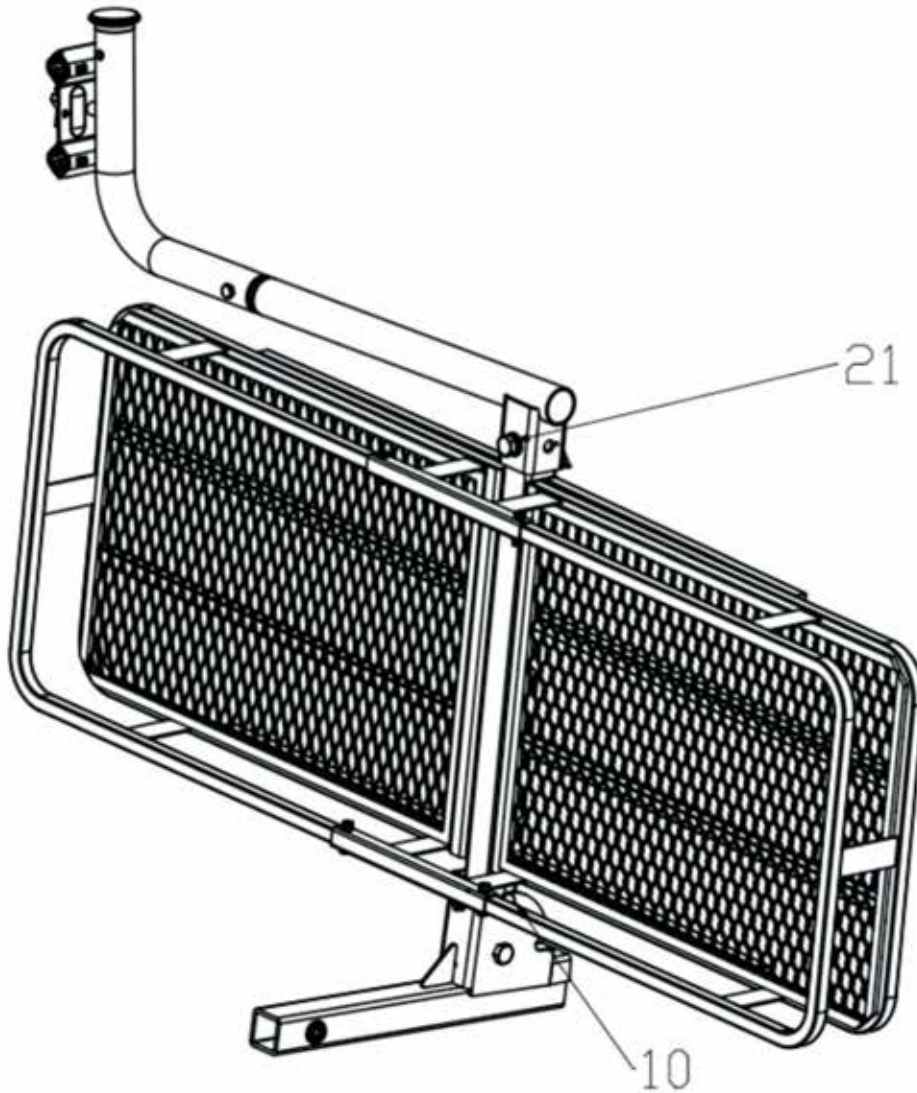


Folding

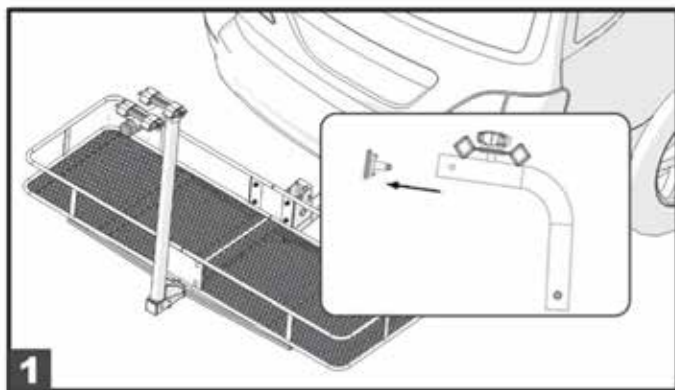
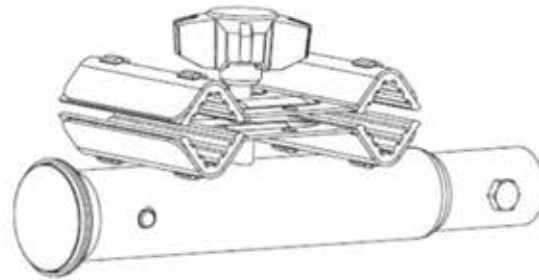
Fold up the carrier with bike rack when not in use.

First, fold the bike rack: Remove the M16 short shockproof bolt (21). Remove the bike rack and rotate it 90 degrees so that it is parallel with the cargo carrier. Secure in place with the M16 short shockproof bolt (21), 16 spring washer (22), 16 flat washer (12), and clip (13).

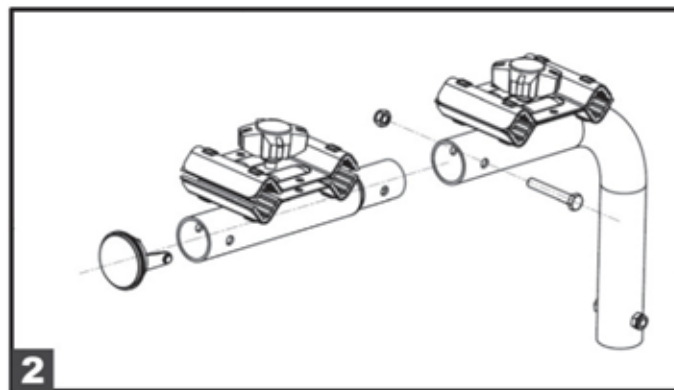
Second, fold the carrier: Remove the 14 pin (10). Fold up the cargo carrier with bike rack and secure in place using the 14 pin (10) and clip (13).



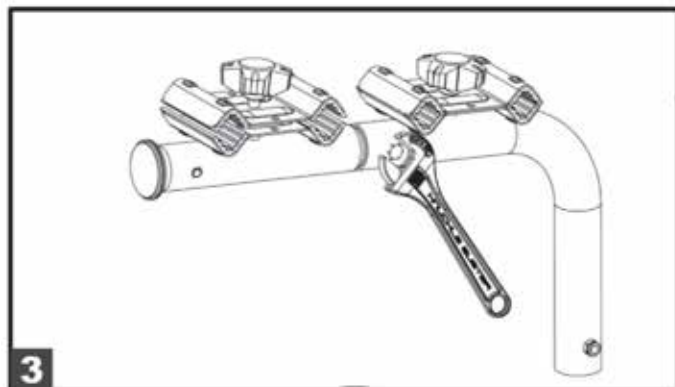
4-Bike Extension



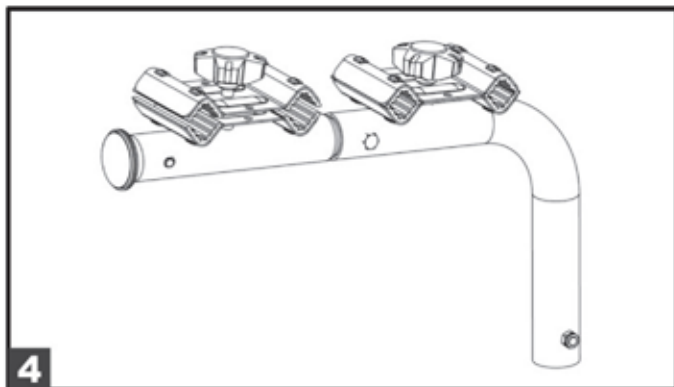
1. Remove the end cap.



2. Add the extension tube, then secure it with bolts and nuts.



3. Secure nuts and bolts with wrenches.



4. Mount the bikes between the "W" plates and tighten the handles securely.

Product Warranty and Liability

GENERAL PRODUCT WARRANTY: Products purchased from the Authorized Dealer (original place of purchase) or Merchant ("Dealer") will be free of defects in material and workmanship at the time of receipt, and will meet the specifications stated at the place of purchase transaction or online at the Dealer's website, under normal use and service when correctly installed, operated and maintained. This product warranty is effective for the period of time stated below, unless otherwise stated in the product instructions or depicted in the product advertisement. **All Authorized Dealer warranties are NON-TRANSFERABLE** and cover only the original end purchaser. This limited warranty does not cover products purchased through non-authorized dealers. Non-authorized dealer receipts are not accepted for warranty verification.

*****Warranty claims must be made directly to the original place of purchase.*****

WARRANTY PERIOD: This warranty remains in force for one year from the date of the product's accepted delivery. The Authorized Dealer offers a one year manufacturer's warranty for most products unless otherwise specified on the product advertisement.

WARRANTY SERVICE: The Authorized Dealer will replace any defective or malfunctioning part at no charge, including payment of the shipping costs of parts or replacement product to and from the manufacturer. The purchaser is responsible for labor charges. If the product does not meet specifications as depicted in the advertisement, the Authorized Dealer will refund the full purchase price of the product.

Questions regarding the warranty on a specific product and warranty claims should be directed to the Authorized Dealer with whom the purchase transaction was made.

WARRANTY LIMITATIONS: The above warranty does not apply to products that are repaired, modified or altered by any party other than the Authorized Dealer; are subjected to unusual physical stress or conditions (such as overloaded ramps or corrosion), natural disaster, governmental actions, wars, strikes, labor disputes, riots, theft, vandalism, terrorism or any reason beyond reasonable control; are damaged due to improper installation, misuse, abuse, accident or negligence in use, storage, transportation or handling, or tampering; or to products that are considered consumable items or items requiring repair or replacement due to normal wear and tear.

Product should be inspected prior to signing for delivery. Product damage incurred during shipping, unless noted on the Bill of Lading at the time of delivery, renders this warranty void.

LIMITED LIABILITY: In no event shall THE AUTHORIZED DEALER be liable to the purchaser or any third party for any indirect, incidental, consequential, special, exemplary or punitive damages arising out of the use of the product, including, without limitation, property damage, loss of value of the product or any third party products that are used in or with the product, or loss of use of the product or any third party products that are used in or with the product.

