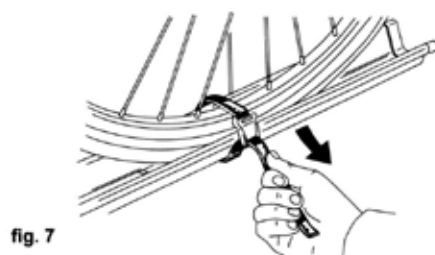
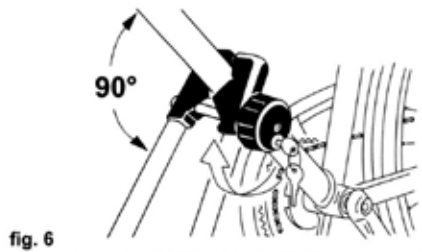
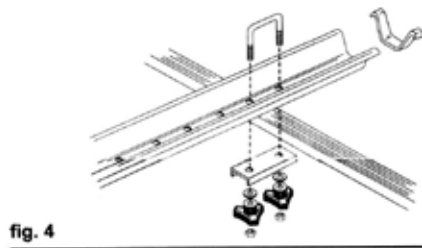
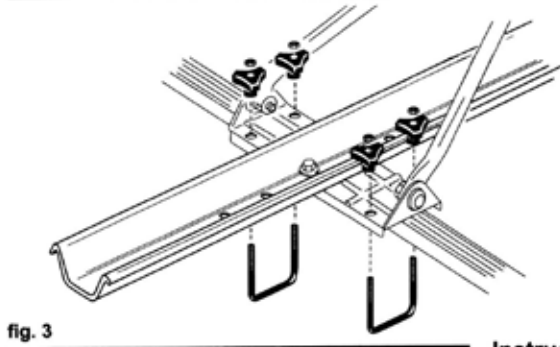
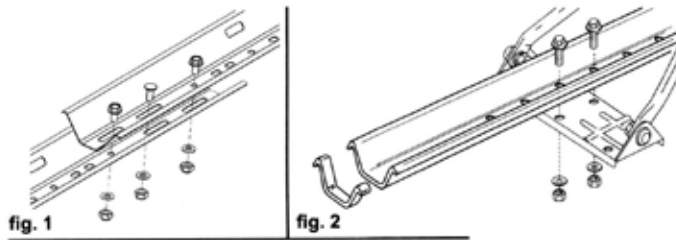


# Roof Bike Rack

## Instructions for Part #BCR-641



### Instructions:

Assemble the wheel trays using the three nuts, bolts and washers (fig. 1). Install the plastic tray end caps (fig. 2).

Attach the bike support arm bracket to the front roof bar using the "U" bolts, nuts and plastic knobs provided (fig. 3). Attach the rear wheel tray using the "U" bolt and bracket (fig. 4). There are two different sizes of "U" bolts. Depending on the width of the roof bar will determine which "U" bolts are to be used.

**NOTE:** It is important that the bike is equally spaced on the wheel tray. If not then adjust accordingly. The distance between the roof bars should not be less than 28" or 70 cm. Check all nuts, bolts and knobs periodically to insure they are tight.

### Installing Bikes

Place your bike into position on the wheel tray and attach the bike clamp jaw to the down tube (fig. 5). Tighten the knob firmly. **NOTE:** The angle between the down tube on the bike and the support arm should be approximately 90 degrees. **NOTE:** The clamp jaw knob should be checked regularly to insure it is tight. Secure the wheels with the supplied wheel straps, and insure they are tight and that the webbing is lace through the buckle.

### Important notes

- The rack is supplied with a locking jaw knob. This is not a theft preventing device and extra security is recommended if the bikes are left unattended.
- Extra accessories such as child seats, baskets and bike covers should not be used due to the increase in wind resistance. This could cause damage to the rack, bikes or vehicle.
- Carrying items on the roof can adversely affect the handling of the vehicle, so drive slower, especially in cross winds.

**NOTE:** Don't forget that the bikes on the roof increase the height requirement. Be aware of entering underground parking or drive through fast food restaurants.

## General Guidelines

- It is the user's responsibility to read and follow all instructions.
- Keep these instructions with the product at all times and review before each use.
- It is the responsibility of this product's owner to furnish the instructions to any person that borrows or purchases the product.
- Inspect the product before use to ensure it is assembled properly and all parts are in safe working order and free of defects.
- Never modify this product in any way.
- All circumstances cannot be addressed in these instructions. Please use common sense and practice general safety measures when using this product.
- Parts and/or instructions are subject to change without notice.

## Product Warranty and Liability

**GENERAL PRODUCT WARRANTY:** Products purchased from the Authorized Dealer (original place of purchase) or Merchant ("Dealer") will be free of defects in material and workmanship at the time of receipt, and will meet the specifications stated at the place of purchase transaction or online at the Dealer's website, under normal use and service when correctly installed, operated and maintained. This product warranty is effective for the period of time stated below, unless otherwise stated in the product instructions or depicted in the product advertisement. **All Authorized Dealer warranties are NON-TRANSFERABLE** and cover only the original end purchaser. This limited warranty does not cover products purchased through non-authorized dealers. Non-authorized dealer receipts are not accepted for warranty verification.

**\*\*\*Warranty claims must be made directly to the original place of purchase.\*\*\***

**WARRANTY PERIOD:** This warranty remains in force for one year from the date of the product's accepted delivery. The Authorized Dealer offers a one year manufacturer's warranty for most products unless otherwise specified on the product advertisement.

**WARRANTY SERVICE:** The Authorized Dealer will replace any defective or malfunctioning part at no charge, including payment of the shipping costs of parts or replacement product to and from the manufacturer. The purchaser is responsible for labor charges. If the product does not meet specifications as depicted in the advertisement, the Authorized Dealer will refund the full purchase price of the product.

Questions regarding the warranty on a specific product and warranty claims should be directed to the Authorized Dealer with whom the purchase transaction was made.

**WARRANTY LIMITATIONS:** The above warranty does not apply to products that are repaired, modified or altered by any party other than the Authorized Dealer; are subjected to unusual physical stress or conditions (such as overloaded ramps or corrosion), natural disaster, governmental actions, wars, strikes, labor disputes, riots, theft, vandalism, terrorism or any reason beyond reasonable control; are damaged due to improper installation, misuse, abuse, accident or negligence in use, storage, transportation or handling, or tampering; or to products that are considered consumable items or items requiring repair or replacement due to normal wear and tear.

Product should be inspected prior to signing for delivery. Product damage incurred during shipping, unless noted on the Bill of Lading at the time of delivery, renders this warranty void.

**LIMITED LIABILITY:** In no event shall THE AUTHORIZED DEALER be liable to the purchaser or any third party for any indirect, incidental, consequential, special, exemplary or punitive damages arising out of the use of the product, including, without limitation, property damage, loss of value of the product or any third party products that are used in or with the product, or loss of use of the product or any third party products that are used in or with the product.

