



# Bicycle Stand Instructions for Part # BIKE-STAND-6



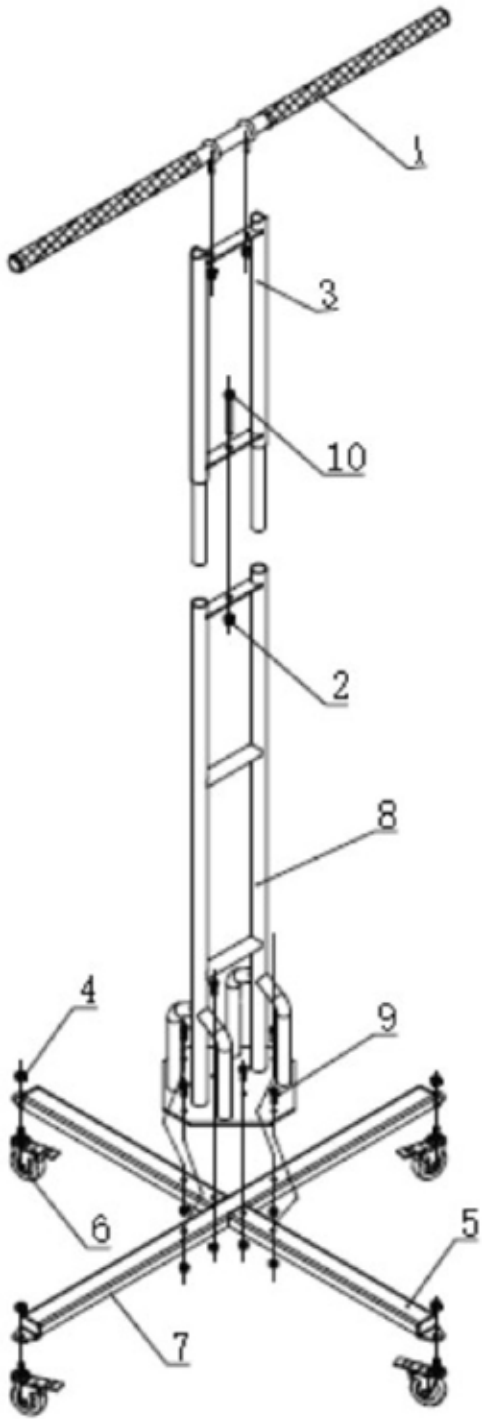
## General Guidelines ⚠

- It is the user's responsibility to read and follow all instructions.
- Keep these instructions with the product at all times and review before each use.
- It is the responsibility of this product's owner to furnish the instructions to any person that borrows or purchases the product.
- Inspect the product before use to ensure it is assembled properly and all parts are in safe working order and free of defects.
- Never modify this product in any way.
- All circumstances cannot be addressed in these instructions. Please use common sense and practice general safety measures when using this product.
- Do not use this product for any purpose other than that for which it is intended.
- Parts and/or instructions are subject to change without notice.

## Safety ⚠

- Do not exceed the capacity of 180 lbs./30 lbs. per bicycle. Do not use with more than 6 bikes.
- Be aware of dynamic loading! Sudden load movement may briefly create excess load causing product failure.
- Keep assembly area clean and well-lit. Keep bystanders out of the assembly area.
- Do not assemble when tired or when under the influence of alcohol, drugs or medication.
- Use safety goggles and work gloves during assembly.
- Do not stand on the product.
- Do not move the stand with bicycles suspended. Remove bicycles before moving the product.
- Maintain balance. Be sure that weight is evenly distributed on the support bar at all times.
- Do not use to store powered bicycles (electric/gasoline), scooters, or motorcycles.
- This product is not a toy. Do not allow children to play with or near this item.
- Do not store in damp or wet locations. Do not expose to rain.
- Maintain product labels and nameplates. These carry important safety information.

# Parts List



Part #	Description	Qty
1	Support Bar	1
2	M8 Lock Nut	9
3	Upper Post	1
4	M10 Lock Nut	4
5	Base A	2
6	Locking Swivel Caster	4
7	Base B	1
8	Lower Post	1
9	M8x20 Hex Bolt	6
10	M8x70 Hex Bolt	1

# Assembly

**Step 1.** Attach Support Bar (1) to Upper Post (3) with Support Bar Bolts and Lock Nuts (2). (See Figure A.)

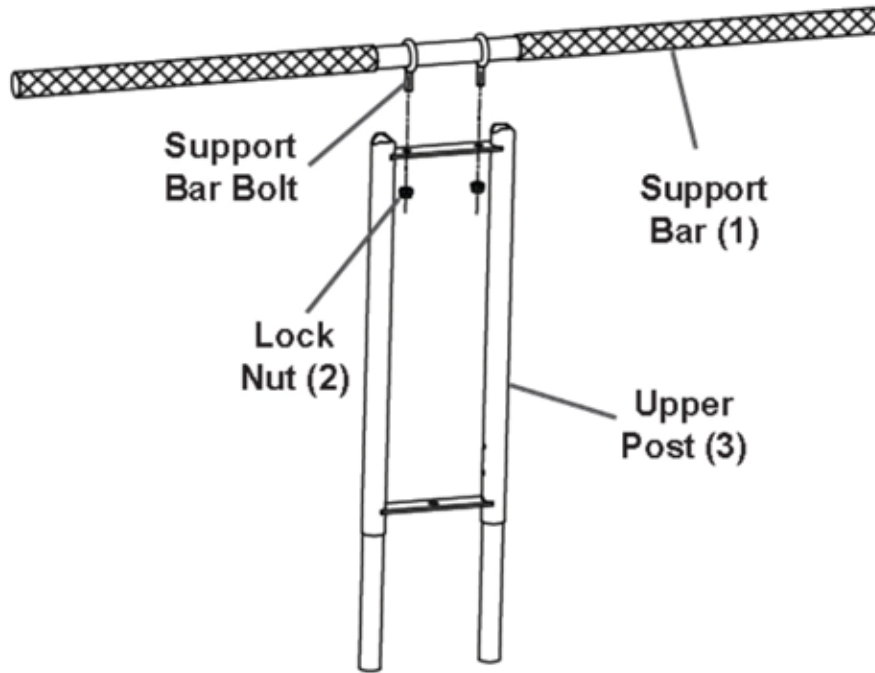


Figure A

**Step 2.** Attach Casters (6) to ends of Bases A and B with Lock Nuts (4). (See Figure B.)

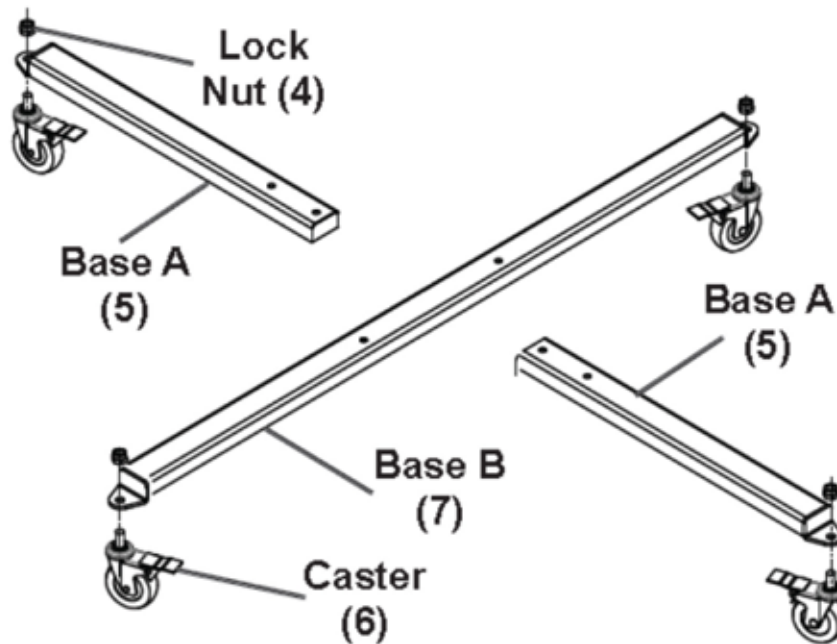


Figure B

**Step 3.** Position Base A and Base B so that bolt holes align with Lower Post (8) bolt holes. Secure with Hex Bolts (9) and Lock Nuts (2). (See Figure C.)

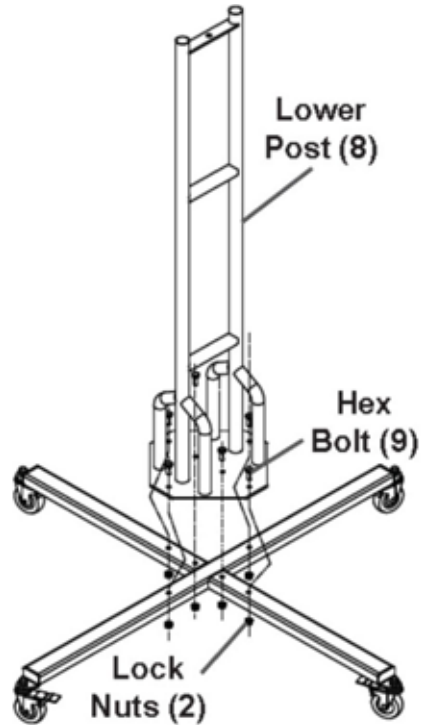


Figure C

**Step 4.** Attach Upper Post assembly to Lower Post assembly. Secure with Hex Bolt (10) and Lock Nut (2). (See Figure D.) Note: Before use, tighten all connections securely.

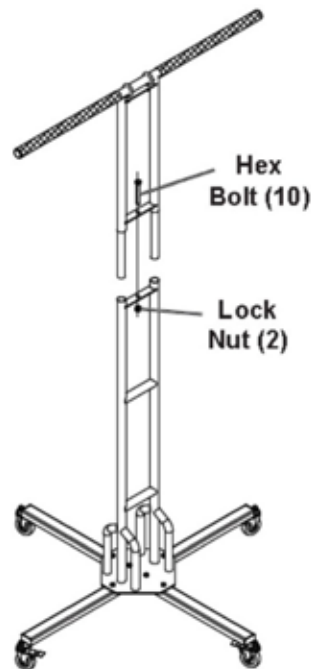


Figure D

# Hanging Bicycles

**WARNING!** TO PREVENT SERIOUS INJURY: Hanging and removal of bicycles should only be done by adults who are physically capable of safely lifting the weight of a bicycle.

**CAUTION!** TO PREVENT INJURY FROM TIPPING: Do not move with bicycles suspended. Remove bicycles before moving unit.

**Note:** Before use, tighten all connections securely.

1. Place the bike stand in desired location, then engage caster locks by pushing down on levers.  
**WARNING!** TO PREVENT SERIOUS INJURY FROM PRODUCT FAILURE: Do not exceed rated weight capacity.
2. Hang first bicycle by sliding tire over one side of Support Bar, positioning bicycle toward the center.
3. Hang next bicycle on other side of Support Bar with handle bars facing opposite first bicycle.
4. Hang subsequent bicycles in the same manner, making sure weight is evenly distributed at all times.

# Removing Bicycles

1. Firmly grip bicycle with both hands and slide off Support Bar.
2. Make sure evenly distributed weight is maintained.

# Moving the Stand

1. Remove bicycles then unlock casters.
2. Move the stand to new location, then lock casters and replace bicycles.

# Maintenance and Cleaning

Procedures not specifically explained in this manual must be performed only by a qualified technician.  
**TO PREVENT SERIOUS INJURY FROM TOOL FAILURE:** Do not use damaged equipment. If any part becomes damaged, have the problem corrected before further use.

1. Periodically inspect the general condition of the stand. Check for loose hardware, cracked or broken parts, and any other condition that may affect its safe operation.
2. Wipe external surfaces of the bike stand with a clean cloth as needed.

# Product Warranty and Liability

**GENERAL PRODUCT WARRANTY:** Products purchased from the Authorized Dealer (original place of purchase) or Merchant (“Dealer”) will be free of defects in material and workmanship at the time of receipt, and will meet the specifications stated at the place of purchase transaction or online at the Dealer’s website, under normal use and service when correctly installed, operated and maintained. This product warranty is effective for the period of time stated below, unless otherwise stated in the product instructions or depicted in the product advertisement. **All Authorized Dealer warranties are NON-TRANSFERABLE** and cover only the original end purchaser. This limited warranty does not cover products purchased through non-authorized dealers. Non-authorized dealer receipts are not accepted for warranty verification.

**\*\*\*Warranty claims must be made directly to the original place of purchase.\*\*\***

**WARRANTY PERIOD:** This warranty remains in force for one year from the date of the product’s accepted delivery. The Authorized Dealer offers a one year manufacturer’s warranty for most products unless otherwise specified on the product advertisement.

**WARRANTY SERVICE:** The Authorized Dealer will replace any defective or malfunctioning part at no charge, including payment of the shipping costs of parts or replacement product to and from the manufacturer. The purchaser is responsible for labor charges. If the product does not meet specifications as depicted in the advertisement, the Authorized Dealer will refund the full purchase price of the product.

Questions regarding the warranty on a specific product and warranty claims should be directed to the Authorized Dealer with whom the purchase transaction was made.

**WARRANTY LIMITATIONS:** The above warranty does not apply to products that are repaired, modified or altered by any party other than the Authorized Dealer; are subjected to unusual physical stress or conditions (such as overloaded ramps or corrosion), natural disaster, governmental actions, wars, strikes, labor disputes, riots, theft, vandalism, terrorism or any reason beyond reasonable control; are damaged due to improper installation, misuse, abuse, accident or negligence in use, storage, transportation or handling, or tampering; or to products that are considered consumable items or items requiring repair or replacement due to normal wear and tear.

Product should be inspected prior to signing for delivery. Product damage incurred during shipping, unless noted on the Bill of Lading at the time of delivery, renders this warranty void.

**LIMITED LIABILITY:** In no event shall THE AUTHORIZED DEALER be liable to the purchaser or any third party for any indirect, incidental, consequential, special, exemplary or punitive damages arising out of the use of the product, including, without limitation, property damage, loss of value of the product or any third party products that are used in or with the product, or loss of use of the product or any third party products that are used in or with the product.

