



Side Extension Kit for BW-1000A Lift Table

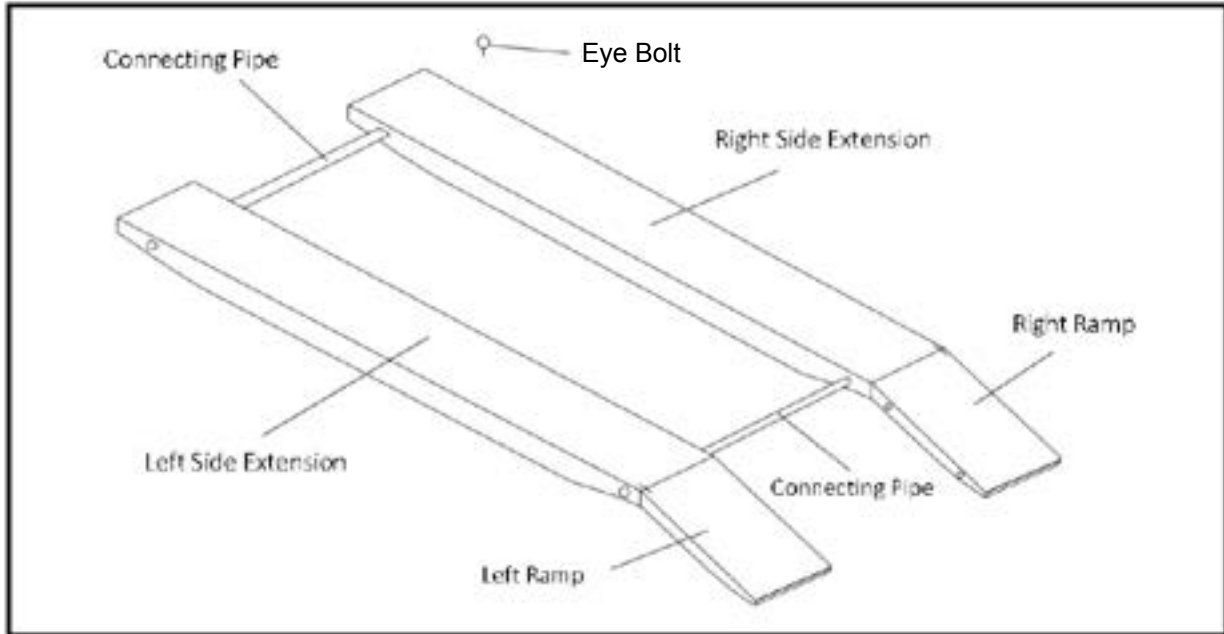
Instructions for Part #BW-1000A-SIDE

GENERAL GUIDELINES & SAFETY



- It is the user's responsibility to read and follow all instructions
- Keep these instructions with the product at all times and review before each use
- It is the responsibility of this product's owner to furnish the instructions to any person that borrows or purchases the product
- Inspect the product before use to ensure it is assembled properly and all parts are in safe working order and free of defects
- Never modify this product in any way
- All circumstances cannot be addressed in these instructions
- Please use common sense and practice general safety measures when using this product
- Parts and/or instructions are subject to change without notice
- Maintain and clean the front extension regularly to ensure the best and safest performance
- Do not exceed the 1,000 lb. maximum lift load capacity with front extension installed
- The lift and front extension are intended for lifting purposes only
- Keep children and unauthorized persons away from the work area
- Remove loose clothing, ties, watches, rings, and other loose jewelry; contain long hair before using lift and front extension
- Wear ANSI approved safety goggles when operating the lift and front extension
- Keep the surface clean, tidy, and free from unrelated materials and ensure that there is adequate lighting
- Do not use the lift and/or front extension if either are damaged, any suspect parts are noted, or either has been subjected to a shock load
- Do not operate the lift and front extension when you are tired or under the influence of alcohol, drugs, or any intoxicating medication
- Do not allow untrained persons to operate the lift with front extension
- Do not make any modifications to the front extension
- Recommended for indoor use only; do not expose the lift to rain, snow, or excessive moisture
- If the front extension needs repair and/or there are any parts which need to be replaced, have it repaired by authorized technicians and only use the replacement parts supplied by the manufacturer

MOUNTING INSTRUCTIONS



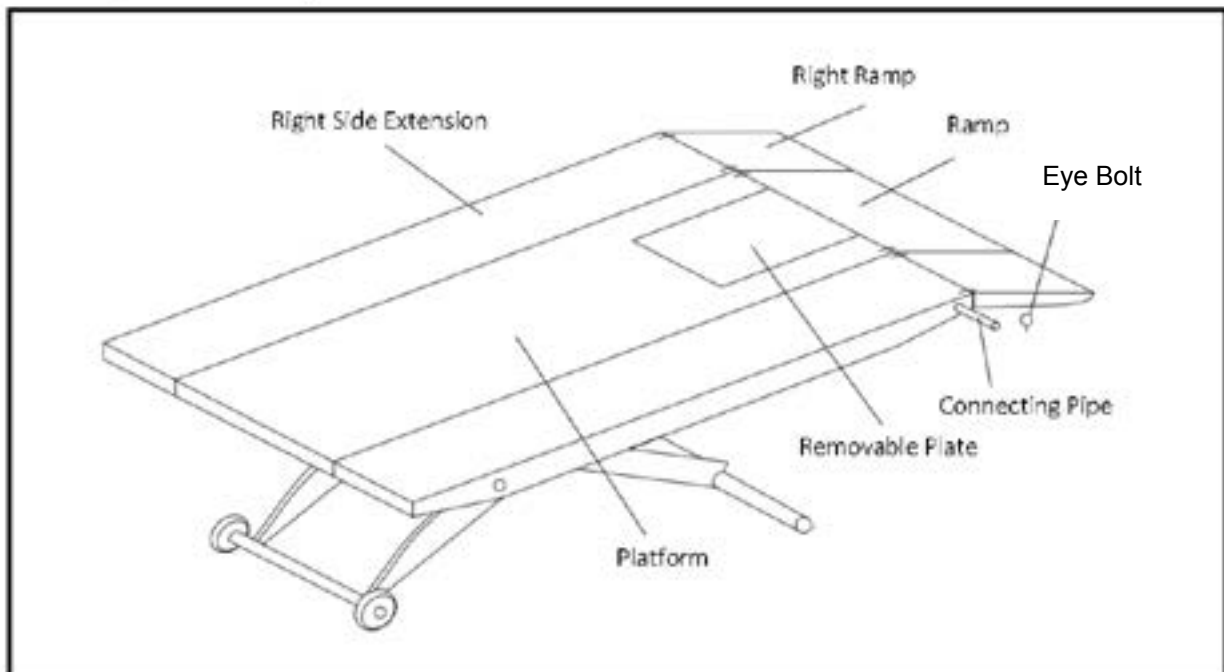
Step 1. Insert connecting pipe from side extension package through holes on the platform.

Step 2. Mount side extensions on both ends of the connecting pipe on each side of the platform.

Step 3. Insert eye bolts provided through holes on both ends of the connecting pipe.

Step 4. Attach the left and right loading ramps to your existing center loading ramp with the provided bolts and nuts.

Note: When not using full width of table, the side extensions can be flipped over for tool and part storage.



PRODUCT WARRANTY & LIABILITY

GENERAL PRODUCT WARRANTY: Products purchased from the Authorized Dealer (original place of purchase) or Merchant ("Dealer") will be free of defects in material and workmanship at the time of receipt, and will meet the specifications stated at the place of purchase transaction or online at the Dealer's website, under normal use and service when correctly installed, operated and maintained. This product warranty is effective for the period of time stated below, unless otherwise stated in the product instructions or depicted in the product advertisement. All Authorized Dealer warranties are NON-TRANSFERABLE and cover only the original end purchaser. This limited warranty does not cover products purchased through non-authorized dealers. Non-authorized dealer receipts are not accepted for warranty verification.

*****WARRANTY CLAIMS MUST BE MADE DIRECTLY TO THE ORIGINAL PLACE OF PURCHASE.*****

WARRANTY PERIOD: This warranty remains in force for one year from the date of the product's accepted delivery. The Authorized Dealer offers a one year manufacturer's warranty for most products unless otherwise specified on the product advertisement.

WARRANTY SERVICE: The Authorized Dealer will replace any defective or malfunctioning part at no charge, including payment of the shipping costs of parts or replacement product to and from the manufacturer. The purchaser is responsible for labor charges. If the product does not meet specifications as depicted in the advertisement, the Authorized Dealer will refund the full purchase price of the product.

Questions regarding the warranty on a specific product and warranty claims should be directed to the Authorized Dealer with whom the purchase transaction was made.

WARRANTY LIMITATIONS: The above warranty does not apply to products that are repaired, modified or altered by any party other than the Authorized Dealer; are subjected to unusual physical stress or conditions (such as overloaded ramps or corrosion), natural disaster, governmental actions, wars, strikes, labor disputes, riots, theft, vandalism, terrorism or any reason beyond reasonable control; are damaged due to improper installation, misuse, abuse, accident or negligence in use, storage, transportation or handling, or tampering; or to products that are considered consumable items or items requiring repair or replacement due to normal wear and tear.

Product should be inspected prior to signing for delivery. Product damage incurred during shipping, unless noted on the Bill of Lading at the time of delivery, renders this warranty void.

LIMITED LIABILITY: In no event shall **THE AUTHORIZED DEALER** be liable to the purchaser or any third party for any indirect, incidental, consequential, special, exemplary or punitive damages arising out of the use of the product, including, without limitation, property damage, loss of value of the product or any third party products that are used in or with the product, or loss of use of the product or any third party products that are used in or with the product.

