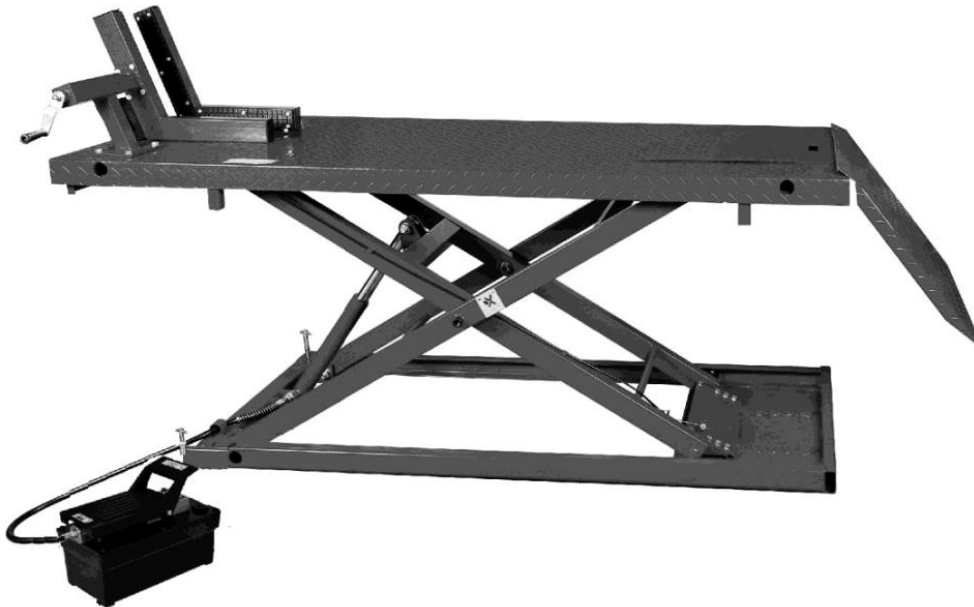




1500 LBS AIR / MANUAL ATV/MOTORCYCLE LIFT

INSTALLATION MANUAL BW-1500AO-V2



Please read this instruction manual carefully before use.

IMPORTANT

PLEASE READ THESE INSTRUCTIONS CAREFULLY. NOTE THE SAFETY INSTRUCTIONS AND WARNINGS. USE THE PRODUCT CORRECTLY AND WITH CARE FOR THE PURPOSE FOR WHICH IT IS INTENDED. FAILURE TO DO SO MAY CAUSE DAMAGE TO PROPERTY AND/OR PERSONAL INJURY. PLEASE KEEP THIS INSTRUCTION MANUAL SAFE FOR FUTURE USE.

1. SAFETY INSTRUCTIONS AND WARNINGS

- 1.1 Use a qualified person to maintain the lift in good condition. Keep it clean for best and safest performance.
- 1.2 The maximum load is 1500lbs. **DO NOT** exceed this rated capacity.
- 1.3 Use this lift for lifting purpose only. **DO NOT** use it for any other purpose it is not designed to perform.
- 1.4 Keep children and unauthorized persons away from the work area.
- 1.5 Remove ill fitting clothing. Remove ties, watches, rings and other loose jewelry, and contain long hair.
- 1.6 Wear ANSI approved safety goggles when operating the lift.
- 1.7 Keep proper balance and footing, do not overreach and wear nonskid footwear.
- 1.8 Only use this lift on a surface that is stable, level, dry and not slippery, and capable of sustaining the load.
Keep the surface clean, tidy and free from unrelated materials and ensure that there is adequate lighting.
- 1.9 Before lifting load, stabilize the lift by turning the adjusting screws down. The lift must only be used in a static position for lifting and lowering loads. Ensure that the load remains stable at all times.
- 1.10 Ensure the load is adequately secured to the lift with appropriate straps.
- 1.11 When the load has been raised to the working height, make sure the safety handle (35) is on your right side and the locking plate is locked in corresponding position to prevent accidental lowering.
- 1.12 Before lowering lift ensure that there are no obstructions underneath and that all persons are standing clear.
- 1.13 Always keep your hands and feet away from moving parts.
- 1.14 **DO NOT** use the lift if damaged, any suspect parts are noted or it has been subjected to a shock load.
- 1.15 **DO NOT** operate the lift when you are tired or under the influence of alcohol, drugs or any intoxicating medication.
- 1.16 **DO NOT** allow untrained persons to operate the lift.
- 1.17 **DO NOT** make any modifications to the lift.
- 1.18 **DO NOT** expose the lift to rain or snow.
- 1.19 If the lift needs repairing and/or there is any part which needs to be replaced, have it repaired by authorized technicians and only use the replacement parts supplied by the manufacturer.
- 1.20 **WARNING:** the warnings, cautions and instructions discussed in this instruction manual cannot cover all possible conditions and situations that may occur. It must be understood by the operator that common sense and caution are factors which cannot be built into this product, but must be supplied by the operator.

2. SPECIFICATIONS

Capacity1500Lb (680Kg)

Width1190mm (46-3/4")

Length2000mm (78-3/4")

Minimum Height.....185mm (7-1/4")

Maximum Height.....800mm (31-1/2")

Air Pressure 0.75-0.85Mpa

Air Inlet Fitting.....1/4inch NPT

3. ASSEMBLY

Unpack the lift and check contents with list below. Should there be any damaged or missing parts, contact your supplier immediately

Content

- Main Lift Assembly
- Air/Manual Hydraulic Pump Assembly
- Leading plate

3.1 Put the air hydraulic pump by the side of the lift station. Connect the oil hose coupler (28) to the hole in the air hydraulic pump.

3.2 Attach the leading plate (03) to end of platform (01).

4. BEFORE FIRST USE

4.1 Before first use of this product, pour a teaspoon of good quality, air tool lubricant into the air supply inlet of the lift control valve, connect to air supply and operate for 3 seconds to evenly distribute lubricant.

4.2 Leave the pump for one hour to allow the oil to settle before purging the system.

NOTE: Failure to allow sufficient time for the oil to settle could result in air remaining in the oil. In this event, the pump will not purge completely first time and a second purge will be required.

4.3 Purge away air from the hydraulic system:

Manual operating system: purge the hydraulic circuit to eliminate any air in the system by fully pressing the release foot pedal and pumping the lift foot pedal 15 to 20 times.

Air operating system: connect the quick coupler-male into the air supply hose quick coupler-female and fully press the release foot pedal, then turn on the air valve assy letting the pump work for 30 seconds to eliminate any air in the hydraulic system.

4.4 Test the lift, unloaded: move the safety handle (35) to your right side, raise the lift to full height, then move the safety handle to your left side in the dent and lower the lift. Depress release foot pedal slowly to control the rate of descent.

5. OPERATING INSTRUCTIONS

WARNING! Ensure that you read, understand and apply the safety instructions and warnings before use.

WARNING! Do not attempt to overload the lift.

5.1 Position the lift in a suitable area, turning the adjusting screw (29) down to make sure the lift is stable and level on the surface, checking that the surface on which the lift will stand is solid and flat (preferably concrete).

5.2 Wheel the ATV or motorcycle up the leading plate and onto the platform.

WARNING! The motorcycle must be fully supported by the lift platform (01) before lifting. DO NOT put the rear wheel of the motorcycle on the leading plate (03) and DO NOT use the leading plate (03) to support the weight of the motorcycle when lifting.

WARNING! The leading plate (03) is only used to help you to wheel the motorcycle onto the platform when the lift is at its lowest position.

5.3 Strap the ATV or motorcycle securely to the platform.

NOTE: Before raising the lift, move the safety handle (35) to your right side.

5.4 Connect the quick coupler-male into the air supply hose quick coupler-female, then turn on the air valve assy to raise the lift. When air source is not available, pump the lift foot pedal to raise the lift.

5.5 When the platform has been raised to the working height, turn off the air valve or stop pumping.

NOTE: At this moment, make sure the safety handle (35) is on your right side and the locking plate (06)

is locked in corresponding pair of safety latch to prevent accidental lowering.

5.6 When work is done, remove all tools from under the lift before lowering. Raise the lift by pumping the lift foot pedal several times or by air to let the locking plate (06) free from its locking position, then move the safety handle (35) to your left side and fix it in the dent, **SLOWLY** press the release foot pedal to **GENTLY** lower the lift.

NOTE: Lower the ATV or motorcycles slowly, in a controlled fashion. Never allow the ATV or motorcycle to drop quickly.

5.7 When the lift is fully lowered, untie the ATV or motorcycle, open the vise jaws and remove the ATV or motorcycle from the lift.

6. MAINTENANCE

6.1 When not in use, the lift must be stored in the lowest position in a dry location to minimize ram and piston corrosion.

6.2 Keep the lift clean and wipe off any oil or grease. Lubricate all moving parts.

6.3 Periodically check the ram and piston for signs of corrosion. Clean exposed areas with a clean oiled cloth.

6.4 Before each use check all parts. If any part of the lift is damaged or suspect, remove the lift from service and take necessary action to repair.

6.5 Purge the hydraulic system to eliminate any air in the system if lift efficiency drops as described in section 4.3.

6.6 Check the hydraulic oil level. If it is not adequate, remove the rubber plug on the pump and add hydraulic oil as necessary. **DO NOT** use brake fluid or any other improper fluid. Only a good quality hydraulic jack oil can be used.

PARTS LIST

No.	Desc.	Q'ty	No.	Desc.	No.	No.	Desc.	Q'ty
01	Platform	1	17	Screw	2	33	Bolt	1
02	Sliding Plate	1	18	Safety Wire	1	34	Nut	1
03	Leading Plate	1	19	Nut	2	35	Handle	1
04	Outside Lifting Arm	1	20	Washer	8	36	Handle Ball	1
05	Inside Lifting Arm	1	21	Screw	2	37	Nut	6
06	Locking Plate Assy	1	22	Bolt	2	38	Bolt	12
07	Base Assy	1	23	Lock Washer	6	39	Stop Plate	1
08	Washer	22	24	Bolt	4	40	Pipe Plug	4
09	R-Pin	2	25	Ram Assy	1	41	Rubber Pad 1	2
10	Steel Wheel	4	26	Oil Hose Assy	1	42	Stationary Vise Assy	1
11	Bolt	8	27	Dust Cover	1	43	Rubber Pad 2	2
12	Lock Washer	8	28	Oil Hose Coupler	1	44	Bolt	24
13	Nut	2	29	Adjusting Screw	2	45	Movable Vise Assy	1
14	Washer	4	30	Rotatable Foot	2	46	Bolt	4
15	Bolt	1	31	Nut	1	47	Adjustable Shelf	1
16	Nut	16	32	Connection Plate	1			

EXPLODED DRAWING

