



# Hydraulic Motorcycle Lift Table 1000 LB Capacity

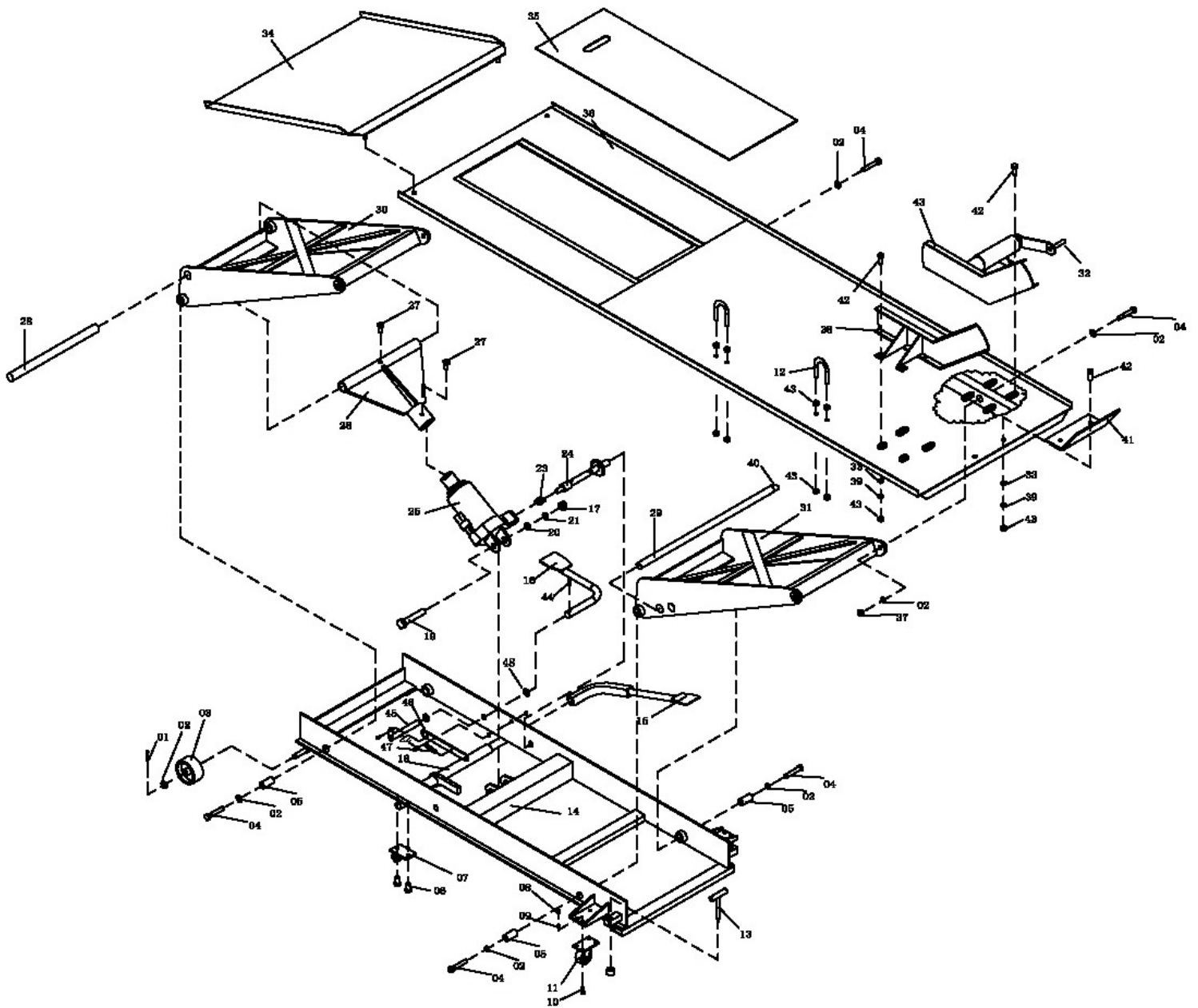
Instructions for Part #BW-680



## **GENERAL GUIDELINES & SAFETY**

- It is the user's responsibility to read and follow all instructions.
- Keep these instructions with the product at all times and review before each use.
- It is the responsibility of this product's owner to furnish the instructions to any person that borrows or purchases the product.
- Inspect the product before use to ensure it is assembled properly and all parts are in safe working order and free of defects.
- Never modify this product in any way.
- All circumstances cannot be addressed in these instructions.
- Please use common sense and practice general safety measures when using this product.
- Parts and/or instructions are subject to change without notice.
- Do not exceed the 1,000 lb. maximum lift load capacity.
- The lift is intended for lifting purposes only.
- Keep children and unauthorized persons away from the work area.
- Remove loose clothing, ties, watches, rings, and other loose jewelry; contain long hair before using lift.
- Wear ANSI approved safety goggles when operating the lift.
- Keep the surface clean, tidy, and free from unrelated materials and ensure that there is adequate lighting.
- Do not use the lift if damaged, any suspect parts are noted, or either has been subjected to a shock load.
- Do not operate the lift when you are tired or under the influence of alcohol, drugs, or any intoxicating medication.
- Do not allow untrained persons to operate the lift.
- Do not make any modifications.
- Recommended for indoor use only; do not expose the lift to rain, snow, or excessive moisture
- Use authorized technicians for repairs and only use the replacement parts supplied by the manufacturer.

# PARTS



# **PARTS**

PART	DESCRIPTION	QTY
1	Pin	2
2	Ø12 Washer	18
3	Front Wheel	2
4	Bolt M12x65	8
5	Liner tube	4
6	Bolt M8x25	2
7	Plate	1
8	Nut M6	8
9	Ø6 Washer	8
10	Bolt M6x16	8
11	Caster	2
12	" U " Bolt	4
13	Adjust Screw	2
14	Frame Assembly	1
15	Lift Foot pedal	1
16	Release Foot pedal	1
17	Nut M16	1
18	Pump Piston Spindle	1
19	Bolt M16x85	1
20	Ø16 Washer	1
21	Ø16 Spring Washer	1
22	Bolt M8x30	1
23	Spring	1

24	Release Valve Spindle	1
25	Pumpe	1
26	T-connector	1
27	Bolt M10x16	2
28	Pin	1
29	Locking bar	1
30	Front lifting arm	1
31	Rear lifting arm	1
32	Handle	1
33	Ø10 Washer	11
34	Ramp	1
35	Access panel	1
36	Platform	1
37	Nut M12	8
38	Vise	1
39	Ø10 Spring Washer	11
40	Ring	1
41	Stop plate	1
42	Bolt M10x25	10
43	Nut M10	20
44	Bolt M6x16	3
45	The connecting rod A	1
46	The connecting rod B	1
47	Spring	1
48	The circlip	3

## **BEFORE USE**

- Leave the pump for one hour to allow the oil to settle before purging the system.

**NOTE: Failure to allow sufficient time for the oil to settle could result in air remaining in the oil. In this event, the pump will not purge completely first time and a second purge will be required.**

- Purge the hydraulic circuit to eliminate any air in the system by fully pressing the release foot pedal (16) and pumping the lift foot pedal (15) 15 to 20 times.
- Test the lift, unladen, by raising it to full height and then lowering it. Depress release foot pedal (16) slowly to control the rate of descent.

## **OPERATING INSTRUCTIONS**

**Step 1.** Position the lift in a suitable area, checking that the surface on which the lift will stand is solid and flat.

**Step 2.** Turn the adjusting screw assy (13) down to raise the castors (11) off the ground to prevent the lift from moving.

**Step 3.** Wheel the motorcycle up the leading plate and onto the platform..

**NOTE: There is a choice of mounting holes for the vice to cater for various sizes of motorcycle.**

**Step 4.** Clamp front wheel in vice to prevent any movement of the motorcycle.

**Step 5.** Strap the motorcycle securely to the platform.

**Step 6.** Raise the lift by pumping the lift foot pedal (15).

**Step 7.** When the platform has been raised to the working height, pass the locking bar (29) through the holes in the front lifting arm (38) so that the lift cannot be inadvertently lowered.

**Step 8.** When work is done, check under the lift to ensure that there are no obstructions and that it is safe to lower the unit. Remove the locking bar and then SLOWLY press the release foot pedal to GENTLY lower the lift.

**NOTE: The speed of lowering is controlled by the release valve. The more the valve is opened the more rapidly the lift descends. Ensure the decent is slow and controlled.**

**NOTE: The speed of lowering can be adjusted by tightening or loosening the pump adjustment screw.**

When the lift is fully lowered, unstrap the motorcycle, open the vice jaws and remove the cycle from the lift.

## **MAINTENANCE**

**Step 9.** When not in use, the lift must be stored in the lowest position in a dry location to minimize ram and piston corrosion.

**Step 10.** Keep the lift clean and wipe off any oil or grease. Lubricate all moving parts.

**Step 11.** Periodically check the ram and piston for signs of corrosion. Clean exposed areas with a clean oiled cloth.

**Step 12.** Before each use check all parts. If any part of the lift is damaged or suspect, remove the lift from service and take necessary action to repair.

Check the hydraulic oil level. If it is not adequate, remove the filler plug on the pump and add hydraulic jack

oil as necessary. DO NOT use brake fluid or any other improper fluid. Only a good quality hydraulic jack oil can be used.

**Step 13 .**When lift efficiency decreases, purge away air from the hydraulic system as describes in "Before First Use" section.

## **PRODUCT WARRANTY & LIABILITY**

**GENERAL PRODUCT WARRANTY:** Products purchased from the Authorized Dealer (original place of purchase) or Merchant ("Dealer") will be free of defects in material and workmanship at the time of receipt, and will meet the specifications stated at the place of purchase transaction or online at the Dealer's website, under normal use and service when correctly installed, operated and maintained. This product warranty is effective for the period of time stated below, unless otherwise stated in the product instructions or depicted in the product advertisement. All Authorized Dealer warranties are NON-TRANSFERABLE and cover only the original end purchaser. This limited warranty does not cover products purchased through non-authorized dealers. Non-authorized dealer receipts are not accepted for warranty verification.

**\*\*\*WARRANTY CLAIMS MUST BE MADE DIRECTLY TO THE ORIGINAL PLACE OF PURCHASE.\*\*\***

**WARRANTY PERIOD:** This warranty remains in force for one year from the date of the product's accepted delivery. The Authorized Dealer offers a one year manufacturer's warranty for most products unless otherwise specified on the product advertisement.

**WARRANTY SERVICE:** The Authorized Dealer will replace any defective or malfunctioning part at no charge, including payment of the shipping costs of parts or replacement product to and from the manufacturer. The purchaser is responsible for labor charges. If the product does not meet specifications as depicted in the advertisement, the Authorized Dealer will refund the full purchase price of the product.

Questions regarding the warranty on a specific product and warranty claims should be directed to the Authorized Dealer with whom the purchase transaction was made.

**WARRANTY LIMITATIONS:** The above warranty does not apply to products that are repaired, modified or altered by any party other than the Authorized Dealer; are subjected to unusual physical stress or conditions (such as overloaded ramps or corrosion), natural disaster, governmental actions, wars, strikes, labor disputes, riots, theft, vandalism, terrorism or any reason beyond reasonable control; are damaged due to improper installation, misuse, abuse, accident or negligence in use, storage, transportation or handling, or tampering; or to products that are considered consumable items or items requiring repair or replacement due to normal wear and tear.

Product should be inspected prior to signing for delivery. Product damage incurred during shipping, unless noted on the Bill of Lading at the time of delivery, renders this warranty void.

**LIMITED LIABILITY:** In no event shall **THE AUTHORIZED DEALER** be liable to the purchaser or any third party for any indirect, incidental, consequential, special, exemplary or punitive damages arising out of the use of the product, including, without limitation, property damage, loss of value of the product or any third party products that are used in or with the product, or loss of use of the product or any third party products that are used in or with the product.

