



Hydraulic Motorcycle Scissor Jack with Casters

Instructions for Part # BW-SJ-4303



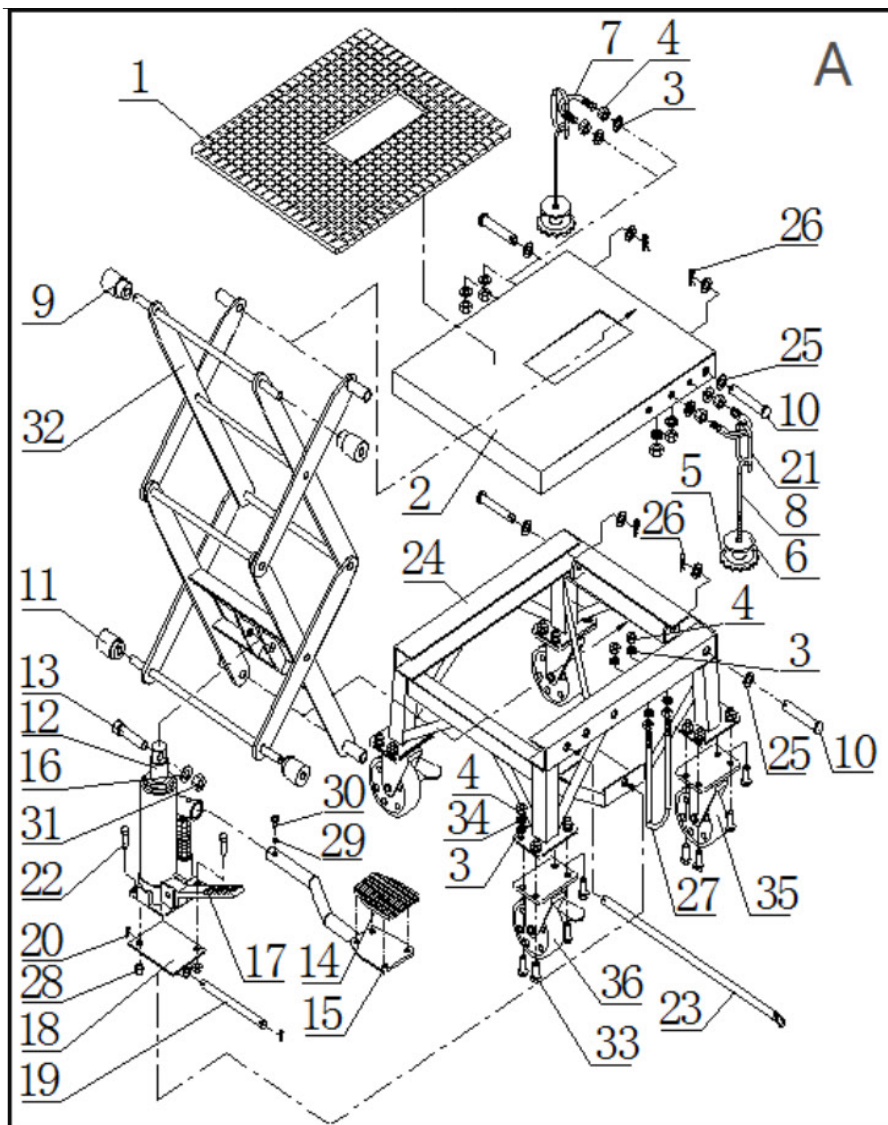
GENERAL GUIDELINES & SAFETY

- It is the user's responsibility to read and follow all instructions.
- Keep these instructions with the product at all times and review before each use.
- It is the responsibility of this product's owner to furnish the instructions to any person that borrows or purchases the product.
- Inspect the product before use to ensure it is assembled properly and all parts are in safe working order and free of defects.
- Never modify this product in any way.
- All circumstances cannot be addressed in these instructions.
- Please use common sense and practice general safety measures when using this product.
- Parts and/or instructions are subject to change without notice.
- Do not exceed the 300 lb rated capacity.
- Keep children and unauthorized persons away from the work area.
- Wear ANSI/CE approved safety goggles, gloves, and shoes when operating the lift.
- Before use lubricate the screw and the nuts with grease to reduce friction.
- Always keep your hands and feet away from the working area.
- Do not allow untrained persons to operate the lift.
- Do not expose the lift to rain or snow.
- Remove all loose fitting clothing and accessories, and tie back long hair.
- Only use this lift on a surface that is stable, level, dry and not slippery, and capable of sustaining the load.
- Keep the surface clean, tidy and free from unrelated materials and ensure that there is adequate lighting.
- Always center load on lift saddle. When the lift saddle has been raised to the working height, ensure the locking bar is engaged to prevent accidental lowering.

PARTS & ASSEMBLY

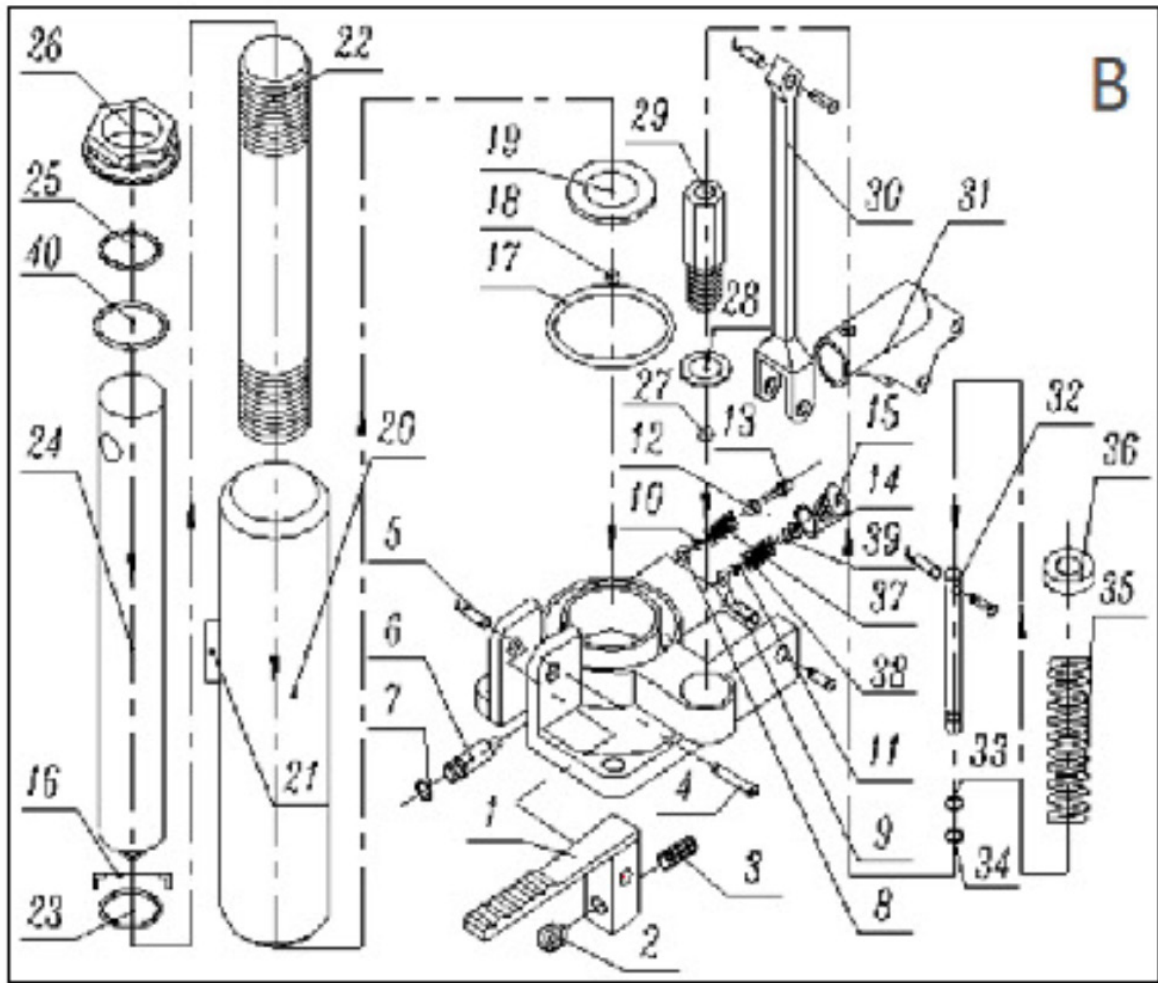
LIFT: A

No.	Description	Qty	No.	Description	Qty	No.	Description	Qty
1	Rubber pad	1	13	Bolt M12x70	1	25	Washer Ø12	8
2	Lift Saddle	1	14	Foot pedal pad	1	26	R-pin	4
3	Washer Ø8	28	15	Lifting foot pedal	1	27	Long-U bolt	1
4	Nut M8	28	16	Washer Ø12	1	28	Nut M8	2
5	Treaded knob	2	17	Release foot pedal	1	29	Washer Ø8	1
6	Washer	2	18	Pump base	1	30	Bolt M8x12	1
7	U-bolt	2	19	Pin	1	31	Nut M12	1
8	J-hook	2	20	R-pin	2	32	Support arm	1
9	Upper roller	2	21	Ring	2	33	Bolt M8*20	16
10	Pin Ø12x80	4	22	Bolt M8x25	2	34	Washer Ø8	16
11	Lower roller	2	23	Safety bar	1	35	Castor	2
12	Pump	1	24	Bottom base	1	36	Castor with break	2



PUMP: B

No.	Description	Qty	No.	Description	Qty	No.	Description	Qty
1	Release foot pedal	1	15	Bolt	1	29	Pump core sleeve	1
2	Nut	1	16	Nylon Ring	1	30	Connector	1
3	Bolt	1	17	Washer	1	31	Handle hole	1
4	Pin	4	18	Ball	1	32	Pump core	1
5	R-pin	4	19	Washer	1	33	O-Ring	1
6	Pin	1	20	Oil tank	1	34	Nylon Ring	1
7	O-Ring	1	21	Oil filler plug	1	35	Spring	1
8	Ball	1	22	Cylinder	1	36	Spring base	1
9	Ball	1	23	Seals	1	37	Spring	1
10	Ball base	1	24	Piston	1	38	Spring	1
11	Ball base	1	25	O-Ring	1	39	Bolt	1
12	Rubble plug	1	26	Nut	1	40	Nylon washer	1
13	Blot	1	27	Ball	1			
14	O-Ring	1	28	Washer	1			



BEFORE USE

3.1. Purge air away from hydraulic system.

3.1.1 Manual operating system: Set the platform in the lowest position, keep depressing the release foot pedal and quickly pump the lifting foot pedal several times to purge air from the hydraulic system. Release the release foot pedal.

3.2. Carefully and slowly pinch oil fill plug to release trapped air.

3.3. Position the lift in a suitable area, checking that the surface on which the lift will stand is solid and flat.

OPERATION

TO RAISE THE VEHICLE

4.1. To avoid item from slipping during the raising operation, ONLY lift on points of vehicle specified by vehicle manufacturer in the vehicle's operator's manual.

4.2. Place the lift under the vehicle so that the lift Saddle is positioned under the vehicle's lift point.

4.3. Pump the lifting foot pedal until the lift saddle comes in contact with the vehicle to be lifted, always check to be sure that the saddle and the vehicle are positioned correctly BEFORE raising the jack.

4.4. Break wheels, use J-hook to fix the motorcycle on the lift saddle.

4.5. Pump lifting foot pedal to raise the vehicle (DO NOT exceed max height), Lock the safety bar at the required height.

TO LOWER THE VEHICLE

4.6. Remove the safety bar.

4.7. Press the release pedal very gently to lower the saddle and vehicle.

4.8. Release the J-hook, open the break, then remove the lift.

MAINTENANCE

6.1. Keep the lift clean and wipe off any oil or grease. Lubricate all moving parts.

6.2. When not in use, the lift must be stored in the lowest position in a dry location to minimize ram and piston corrosion.

6.3. Before each use check all parts, ensure that all applicable bolts and nuts are firmly tightened. If any part of the lift is damaged or suspect, remove the lift from service and take necessary action to repair.

6.4. Periodically check the ram and piston for signs of corrosion. Clean exposed areas with a clean oiled cloth

6.5. When lift efficiency drops, purge away air from the hydraulic system.

6.6. Check the hydraulic oil level. If not adequate, add hydraulic oil as necessary. DO NOT use brake fluid or any other improper fluid.

6.7. If the lift need repairing and/or there are any parts that need to be replaced, have it repaired by authorized and trained technicians and only use the replacement parts supplied by the manufacturer.

TROUBLESHOOTING

No.	Fault	Cause	Remedy
1	Can't lift load	1. Overload 2. Release valve not complete closed 3. Air in hydraulic system	1. Remove partial overload 2. Check the release valve 3. Purge air away, see BEFORE USE , 3.1
2	Can't lift to full height	1. The oil is not enough Add oil 2. Air in hydraulic system	1. Add oil 2. Purge air away, see BEFORE USE , 3.1
3	Oil leaking	1. Seals broken 2. Screw parts loosed	1. Replace the seal kits 2. Tighten the screw parts

PRODUCT WARRANTY & LIABILITY

GENERAL PRODUCT WARRANTY: Products purchased from the Authorized Dealer (original place of purchase) or Merchant ("Dealer") will be free of defects in material and workmanship at the time of receipt, and will meet the specifications stated at the place of purchase transaction or online at the Dealer's website, under normal use and service when correctly installed, operated and maintained. This product warranty is effective for the period of time stated below, unless otherwise stated in the product instructions or depicted in the product advertisement. All Authorized Dealer warranties are NON-TRANSFERABLE and cover only the original end purchaser. This limited warranty does not cover products purchased through non-authorized dealers. Non-authorized dealer receipts are not accepted for warranty verification.

*****WARRANTY CLAIMS MUST BE MADE DIRECTLY TO THE ORIGINAL PLACE OF PURCHASE.*****

WARRANTY PERIOD: This warranty remains in force for one year from the date of the product's accepted delivery. The Authorized Dealer offers a one year manufacturer's warranty for most products unless otherwise specified on the product advertisement.

WARRANTY SERVICE: The Authorized Dealer will replace any defective or malfunctioning part at no charge, including payment of the shipping costs of parts or replacement product to and from the manufacturer. The purchaser is responsible for labor charges. If the product does not meet specifications as depicted in the advertisement, the Authorized Dealer will refund the full purchase price of the product.

Questions regarding the warranty on a specific product and warranty claims should be directed to the Authorized Dealer with whom the purchase transaction was made.

WARRANTY LIMITATIONS: The above warranty does not apply to products that are repaired, modified or altered by any party other than the Authorized Dealer; are subjected to unusual physical stress or conditions (such as overloaded ramps or corrosion), natural disaster, governmental actions, wars, strikes, labor disputes, riots, theft, vandalism, terrorism or any reason beyond reasonable control; are damaged due to improper installation, misuse, abuse, accident or negligence in use, storage, transportation or handling, or tampering; or to products that are considered consumable items or items requiring repair or replacement due to normal wear and tear.

Product should be inspected prior to signing for delivery. Product damage incurred during shipping, unless noted on the Bill of Lading at the time of delivery, renders this warranty void.

LIMITED LIABILITY: In no event shall **THE AUTHORIZED DEALER** be liable to the purchaser or any third party for any indirect, incidental, consequential, special, exemplary or punitive damages arising out of the use of the product, including, without limitation, property damage, loss of value of the product or any third party products that are used in or with the product, or loss of use of the product or any third party products that are used in or with the product.

