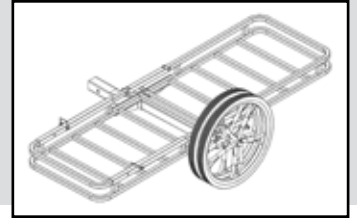




Hitch-Mounted Cargo/Game Cart Instructions for Part #CARGO-CART



General Guidelines

- It is the user's responsibility to read and follow all instructions. Failure to follow the warnings and instructions may result in serious injury or death.
- Keep these instructions with the product at all times and review before each use.
- It is the responsibility of this product's owner to furnish the instructions to any person that borrows or purchases the product.
- Inspect the product before use to ensure it is assembled properly and all parts are in safe working order and free of defects.
- Never modify this product in any way.
- All circumstances cannot be addressed in these instructions. Please use common sense and practice general safety measures when using this product.
- Parts and/or instructions are subject to change without notice.
- Weight capacity when used as a cargo carrier is 500 lbs. Weight capacity when used as a game cart is 300 lbs.
- This carrier is designed for 2" hitch receivers.

Work Area

- Keep work area clean, free of clutter and well lit.
- Keep children and bystanders away while operating the Cargo Cart. Distractions can cause you to lose control, so visitors should remain at a safe distance from the work area.
- Be aware of all power lines, electrical circuits, water pipes, and other mechanical hazards in your work area, particularly those hazards below the work surface hidden from the operator's view that may be unintentionally contacted and may cause personal harm or property damage.
- Be alert of your surroundings. Using the Cargo Cart in confined work areas may put you dangerously close to cutting tools and rotating parts.

Personal Safety

- Stay alert, watch what you are doing, and use common sense when using the Cargo Cart. Do not use the Cargo Cart while you are tired or under the influence of drugs, alcohol, or medication. A moment of inattention while operating an Cargo Cart may result in serious personal injury.
- Dress properly. Do not wear loose clothing, dangling objects, or jewelry. Keep your hair, clothing, and gloves away from moving parts.
- Use safety apparel and equipment. Use safety goggles or safety glasses with side shields which comply with current national standards, or when needed, a face shield. Use a dust mask in dusty work conditions. This applies to all persons in the work area. Also use non-skid safety shoes, hard hat, gloves, dust collection systems, and hearing protection when appropriate.

Use and Care

- Do not modify the Cargo Cart in any way. Unauthorized modification may impair the function and/or safety and could affect the life of the equipment. There are specific applications for which the Cargo Cart was designed.
- Always check of damaged or worn out parts before using the Cargo Cart. Broken parts will affect the Cargo Cart operation. Replace or repair damaged or worn parts immediately.
- Do not exceed the Cargo Cart load capacity.
- Distribute the load evenly. Uneven loads may cause the Cargo Cart to tip, resulting in personal injury to the operator or others. To minimize the effects of dynamic loading, make sure the load is centered on the carrier.
- Use the Cargo Cart on flat and level surfaces capable of supporting the Cargo Cart and its maximum load. Pulling or pushing a load on a slanted or uneven surface can result in loss of control.
- Prior to transporting a load, make sure the ramp of the carrier is folded and secured. The load itself must also be properly secured to the carrier.
- When the Cargo Cart is not in use, store it in a secure place out of the reach of children. Inspect it for good working condition prior to storage and before re-use.
- **WARNING:** Flammable cargo can ignite from exposure to heat. Be aware of the possible fire risk and property damage resulting from the vehicle's exhaust system pointing at or running near the cargo in the Cargo Cart. Do not use if this condition exists.

Product Warranty and Liability

GENERAL PRODUCT WARRANTY: Products purchased from the Authorized Dealer (original place of purchase) or Merchant ("Dealer") will be free of defects in material and workmanship at the time of receipt, and will meet the specifications stated at the place of purchase transaction or online at the Dealer's website, under normal use and service when correctly installed, operated and maintained. This product warranty is effective for the period of time stated below, unless otherwise stated in the product instructions or depicted in the product advertisement. **All Authorized Dealer warranties are NON-TRANSFERABLE** and cover only the original end purchaser. This limited warranty does not cover products purchased through non-authorized dealers. Non-authorized dealer receipts are not accepted for warranty verification.

*****Warranty claims must be made directly to the original place of purchase.*****

WARRANTY PERIOD: This warranty remains in force for one year from the date of the product's accepted delivery. The Authorized Dealer offers a one year manufacturer's warranty for most products unless otherwise specified on the product advertisement.

WARRANTY SERVICE: The Authorized Dealer will replace any defective or malfunctioning part at no charge, including payment of the shipping costs of parts or replacement product to and from the manufacturer. The purchaser is responsible for labor charges. If the product does not meet specifications as depicted in the advertisement, the Authorized Dealer will refund the full purchase price of the product.

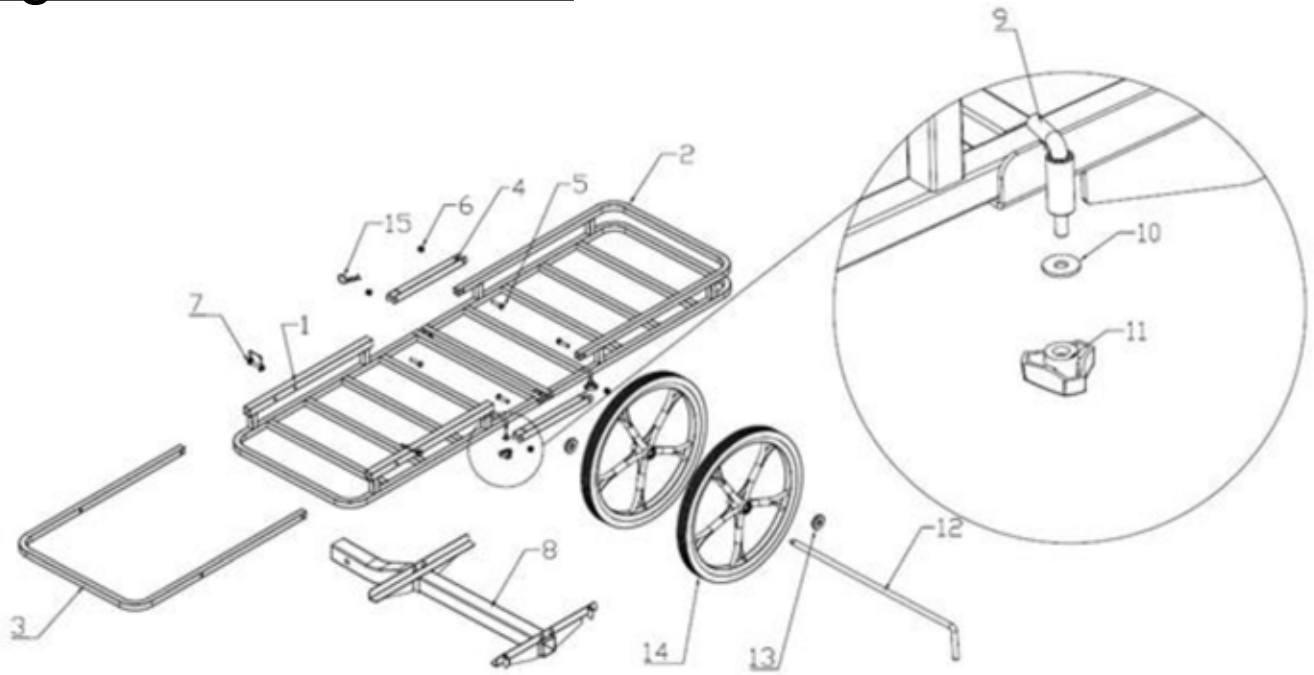
Questions regarding the warranty on a specific product and warranty claims should be directed to the Authorized Dealer with whom the purchase transaction was made.

WARRANTY LIMITATIONS: The above warranty does not apply to products that are repaired, modified or altered by any party other than the Authorized Dealer; are subjected to unusual physical stress or conditions (such as overloaded ramps or corrosion), natural disaster, governmental actions, wars, strikes, labor disputes, riots, theft, vandalism, terrorism or any reason beyond reasonable control; are damaged due to improper installation, misuse, abuse, accident or negligence in use, storage, transportation or handling, or tampering; or to products that are considered consumable items or items requiring repair or replacement due to normal wear and tear.

Product should be inspected prior to signing for delivery. Product damage incurred during shipping, unless noted on the Bill of Lading at the time of delivery, renders this warranty void.

LIMITED LIABILITY: In no event shall THE AUTHORIZED DEALER be liable to the purchaser or any third party for any indirect, incidental, consequential, special, exemplary or punitive damages arising out of the use of the product, including, without limitation, property damage, loss of value of the product or any third party products that are used in or with the product, or loss of use of the product or any third party products that are used in or with the product.

Diagram and Parts List



Part#	Description	Q'ty	Part#	Description	Q'ty
1	Left carrier frame	1	9	The bent pin	2
2	Right carrier frame	1	10	M6 washer	2
3	U-tube handle	1	11	Hand wheel	2
4	Connecting swivel tube	2	12	The long bent pin	1
5	M8*35 outer hexagon bolt	4	13	Protective sleeve	2
6	M8 Lock nut	4	14	Solid roller	2
7	Square pin	2	15	M3.8 split pin	1
8	The bottom welding assembly	1			

Tools Needed:

Adjustable Wrench



13mm Wrench



Assembly

1. Install the left carrier frame (1) along the arrow direction. Fit the rotary shaft and axle sleeve together with the right carrier frame (2). See FIG 1.

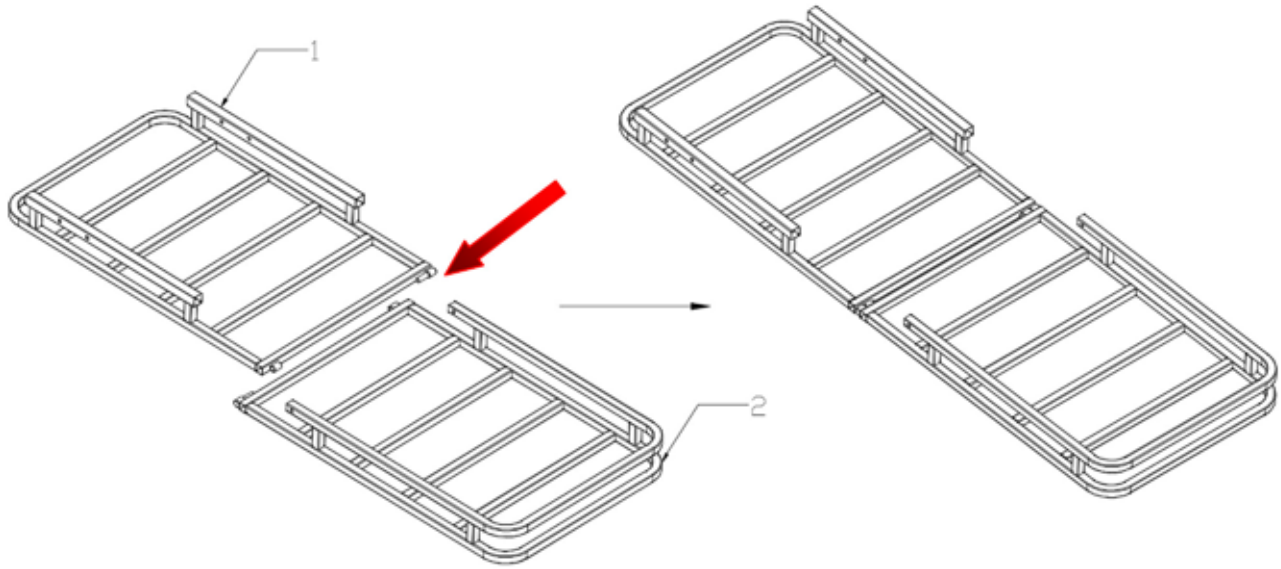


FIG: 1

2. Insert the U-tube handle (3) into the left carrier frame along the arrow direction. See FIG 2.

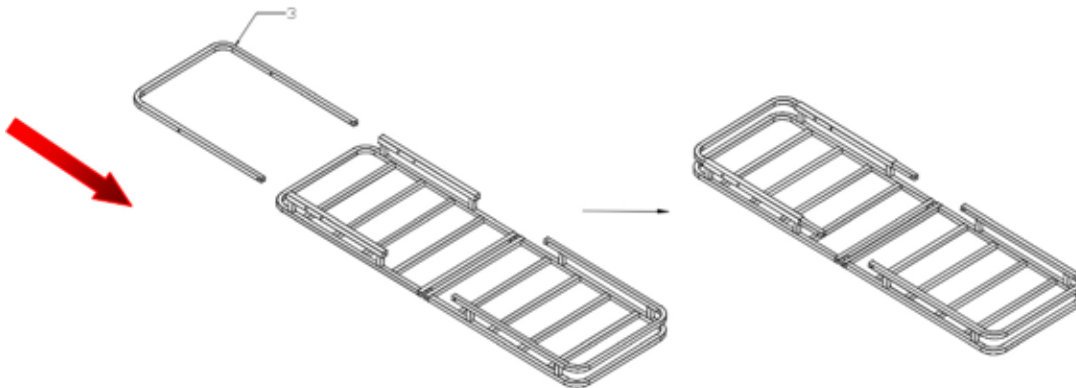


FIG: 2

3. Insert the connecting swivel tube (4) into the U-tube handle (3), align the hole position, and fix the U-tube handle with the connecting swivel tube using M8*35 outer hexagon bolts (5) (4Pcs) and M8 lock nut (6) (4Pcs). Fix the other end of the connecting swivel tube in the same way with right carrier frame (2). See FIG 3.

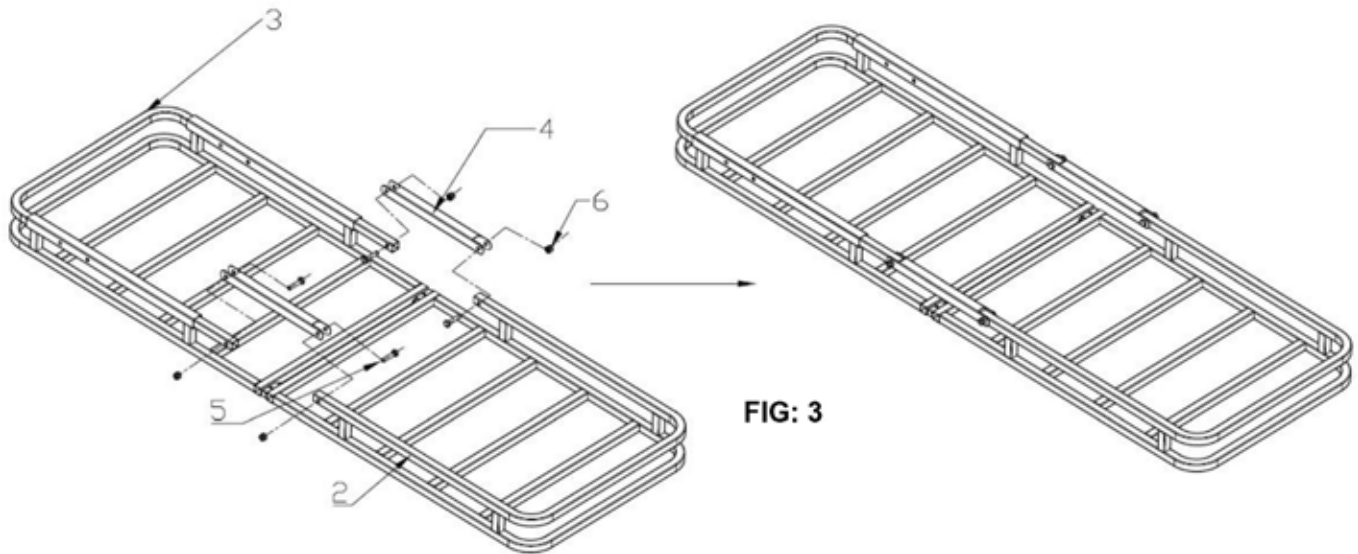


FIG: 3

4. After the left and right carrier frames are laid flat, the hole position on the U-tube handle is aligned with the hole position on the left carrier frame, which is secured with square pin (7) (2Pcs) . See FIG 4

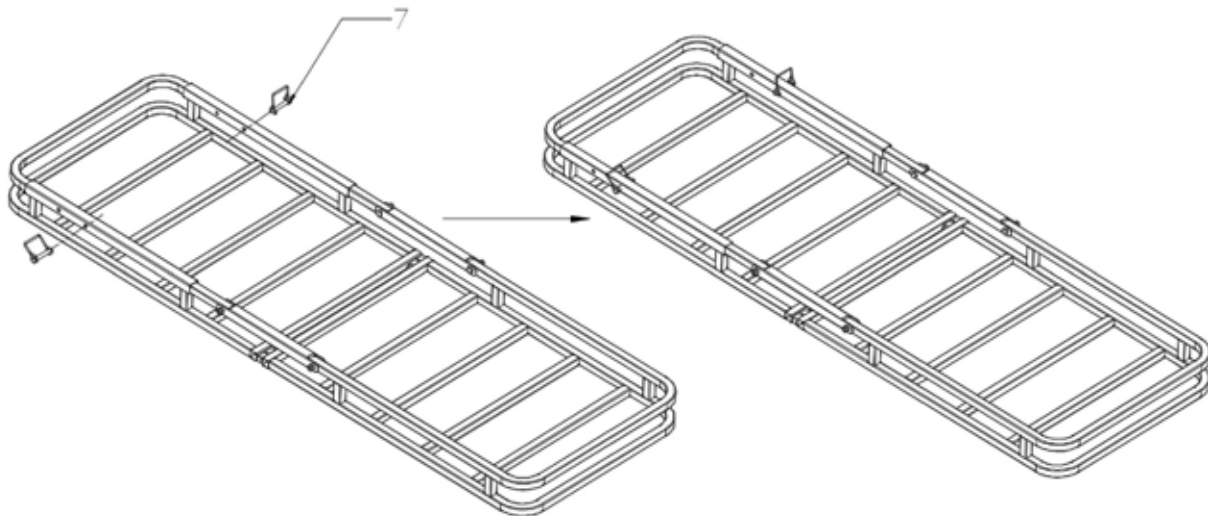
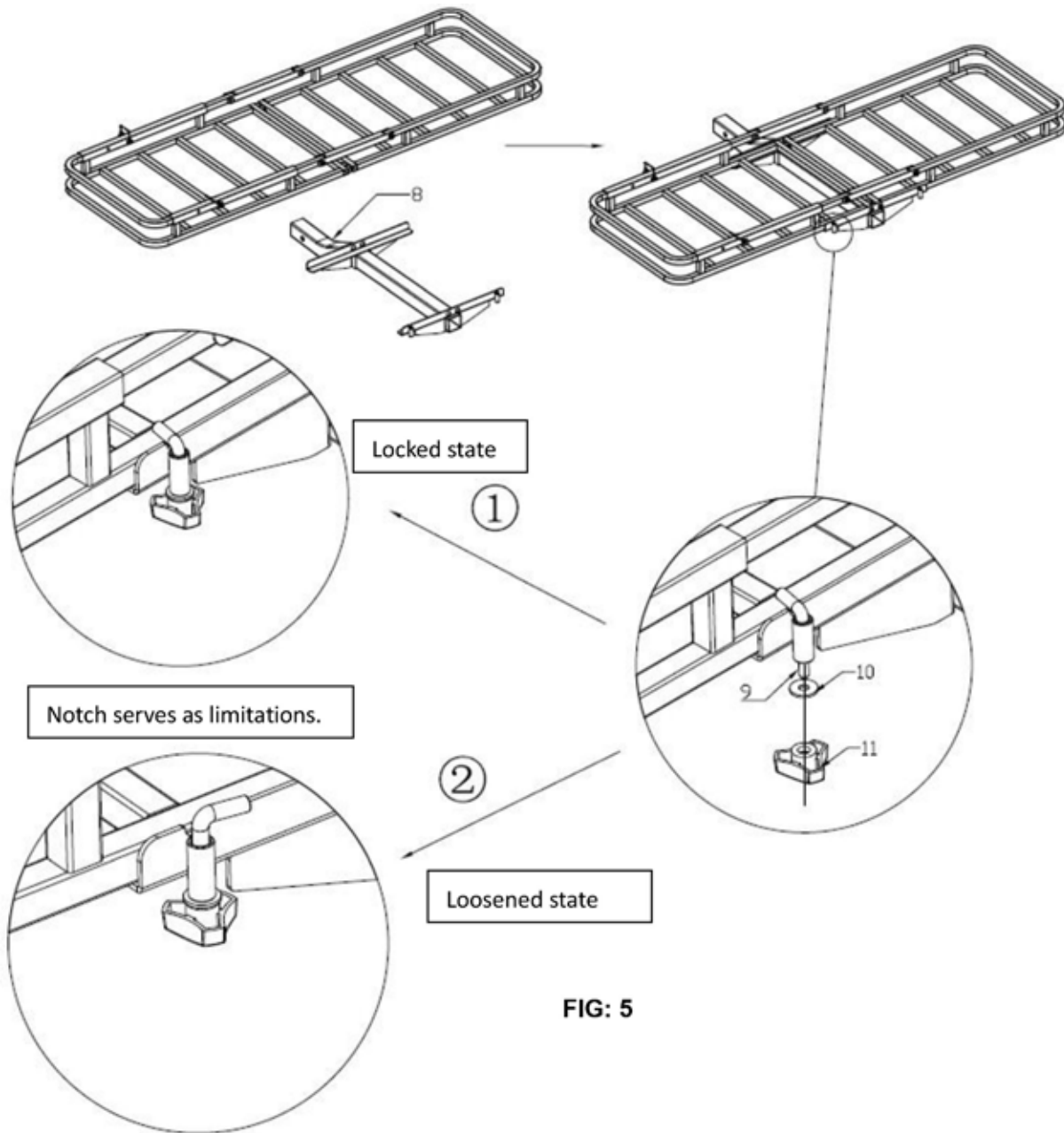


FIG: 4

5. Install the assembled carrier frame of Step 4 on the bottom welding assembly (8). Align the hole on the center.

Insert the bent pin (9) (2Pcs) down into the axle sleeve, through M6 washer (10) (2Pcs) in sequence. Compress the bottom of the carrier frame as shown, screw the hand wheel (11) (2Pcs). See FIG 5.

Note: Rotate the bending pin to 90 degrees and switch between locking and loosening states.



6. Pass through the long bend pin (12) to solid roller (14) (2Pcs) and protective sleeve (13) (2Pcs) as shown and insert it into any hole of the bottom carrier frame. Insert and fix M3.8 split pin (15) on the other end after passing through the square pipe. See FIG 6.

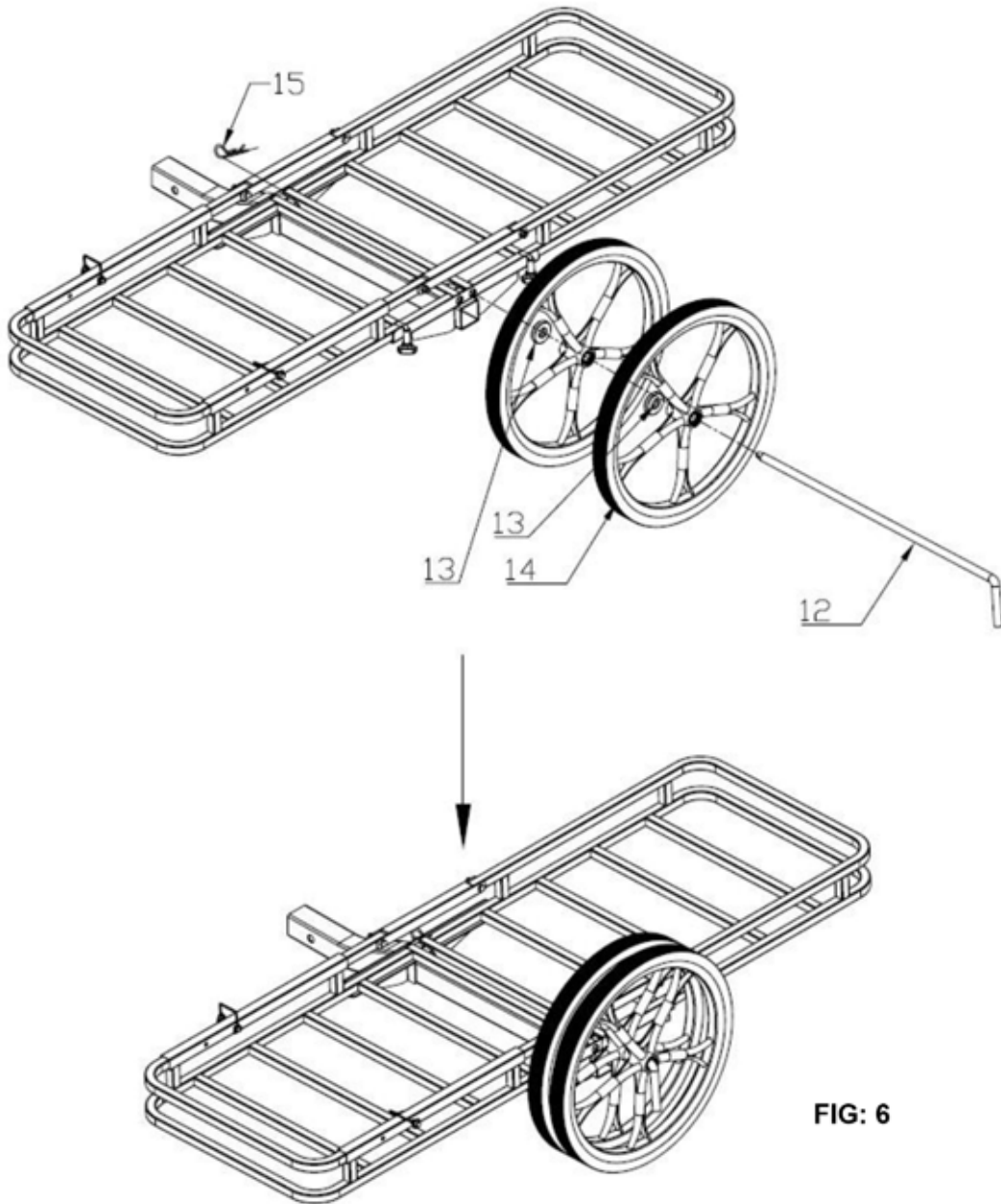


FIG: 6

7. The following steps are from carrier to the trolley. Loosen the bent pin, clamp the hand wheel, rotate bending pin to 90 degrees as loosen state, pull the square of the fixed the square pin (2 Pcs), turn up the right carrier frame, the U-tube handle stretched out automatically from the left carrier frame, and adjust the U-tube handle after spinning in place, insert and fix the square pin (2 Pcs), pull out the long bent pin, then move out the carrier frame until see the square tube in the middle of the frame. Connect two solid rollers (2 Pcs) with long bar bent pins, fix with M3.8 Split pin on the other end, and move the frame again until the wheel hits the ground. See FIG 7.

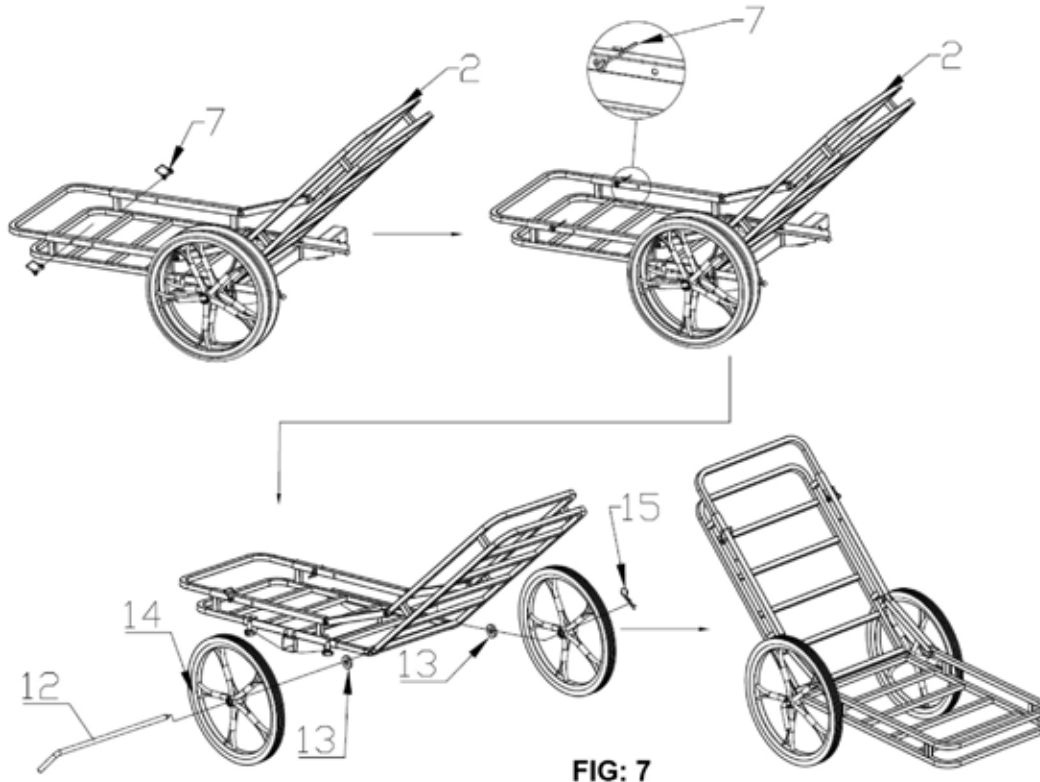


FIG: 7

8. Below are the carrier and trolley setups. See FIG 8.

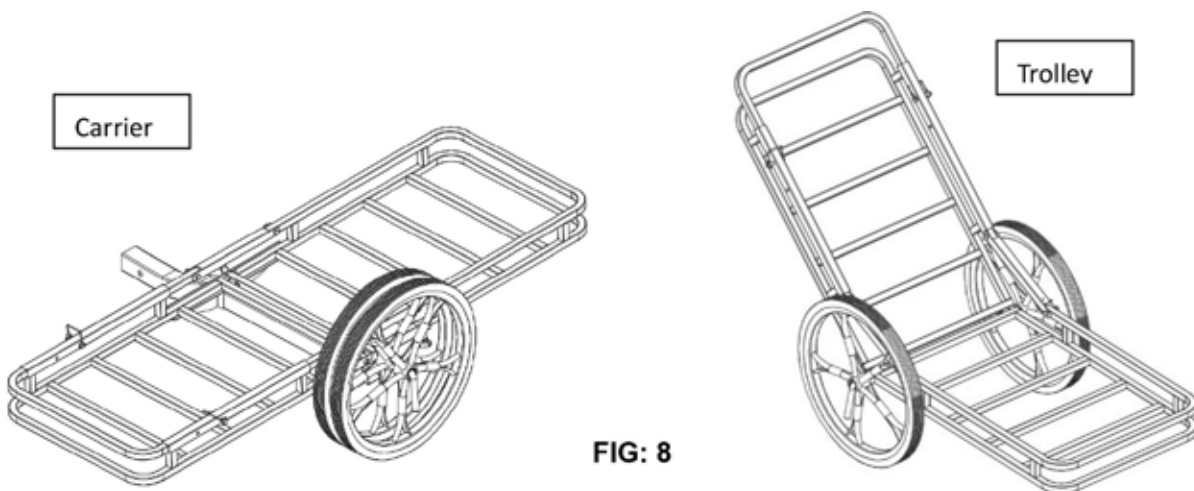


FIG: 8