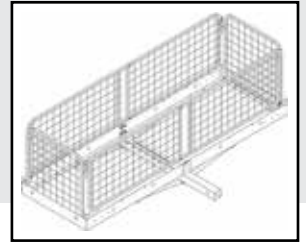




Cargo Hauler with Basket

Instructions for Part # CC-1223



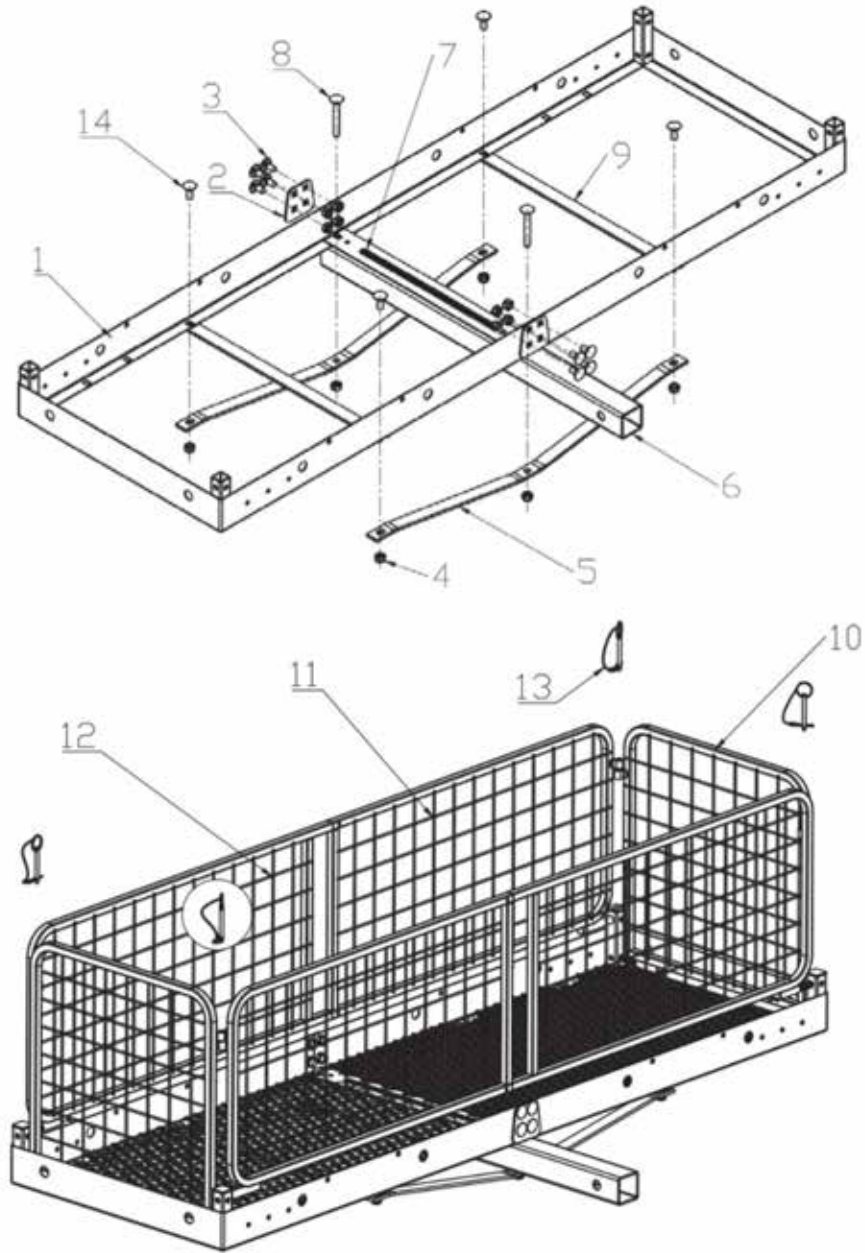
General Guidelines ⚠️

- It is the user's responsibility to read and follow all instructions.
- Keep these instructions with the product at all times and review before each use.
- It is the responsibility of this product's owner to furnish the instructions to any person that borrows or purchases the product.
- Inspect the product before use to ensure it is assembled properly and all parts are in safe working order and free of defects.
- Never modify this product in any way.
- All circumstances cannot be addressed in these instructions. Please use common sense and practice general safety measures when using this product.
- Parts and/or instructions are subject to change without notice.

Safety ⚠️

- Never exceed the 500 lb. capacity.
- For use with 2" Class III and IV hitch receivers. If installed on a Class II receiver, total weight, including carrier, is limited by the hitch tongue weight rating.
- Never exceed the maximum trailer hitch tongue weight rating of your trailer hitch.
- Make sure the carrier is properly secured on the trailer hitch mount and all cargo is properly secured.
- Always check local DOT ordinances regarding the use of hitch carriers. In some regions it may be illegal to cover or obscure the license plate and tail lights. Always follow local traffic rules.
- Always inspect your hitch carrier for loose bolts, damage, or rusting before use. DO NOT USE carrier if damaged. Replace or repair damaged or worn parts immediately.
- This carrier is designed for temporary use only. Remove when not in use or before going through a car wash.
- Never block or impede vehicle exhaust. Do not use if vehicle exhaust is pointing towards the carrier. This can be a fire hazard and damage personal property and the vehicle.
- Distribute loads evenly and secure with tie down straps or bungee cords (sold separately). Uneven loads may cause tipping, resulting in damage and injury.
- This carrier is not to be used for carrying people or animals.
- Never place items directly on top of the fencing, as this could result in damage to the cargo carrier or your items.
- Be aware of dynamic loading. Sudden dropping or bouncing a load can create an excess load which can result in damage to the product or personal injury.
- Do not exceed 65 MPH while the carrier is attached. Avoid excessive speed, sharp turns, and sudden braking when using the carrier.
- Periodically recheck the carrier and load during travel, especially during bad weather, heavy traffic, or when driving at high speeds.
- DO NOT use on tow-behind trailers or RVs, including 5th wheel and camping trailers.
- NOT recommended for hitches less than 12" from the ground to the bottom of the hitch without the use of a riser adapter.
- Keep children and bystanders away while assembling, installing, or removing the carrier. Keep the work area clean, free of clutter, and well lit. When not in use, store in a safe, clean location out of the reach of children.
- Failure to follow these instructions can lead to serious injury and property damage and will void the warranty.

Diagram and Parts List



Part #	Description	Qty
1	Supporting Frame	2
2	Connecting Piece	2
3	M10x20 Carriage Bolt	8
4	M10 Lock Nut	14
5	Support Bridge	2
6	50 Square Tube	1
7	Tie Plate	1

Part #	Description	Qty
8	M10x75 Carriage Bolt	2
9	Stiffener	2
10	Left and Right Side Fencing	2
11	Front/Back Left Fencing	2
12	Front/Back Right Fencing	2
13	Pin and Clip	4
14	M10x25 Carriage Bolt	4

Recommended Tools: 17mm wrench

Assembly

It is important that you read the entire manual to become familiar with the product BEFORE you assemble and use the cargo carrier. Before assembling and operating the cargo carrier, be sure that you have all parts described in the parts list and assembly diagram.

Step 1. Connect the two supporting frames (1) with the connecting piece (2). Line up the corresponding square holes and secure with four M10x20 carriage bolts (3) and four M10 lock nuts (4). Repeat with the other connecting piece (2) on the other side. Do not tighten completely yet. See Fig. 1.

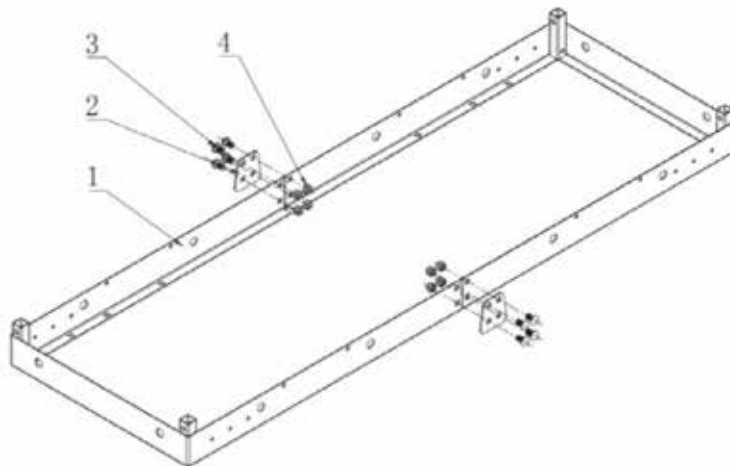


FIG. 1

Step 2. Place the tie plate (7) on the middle of the assembled supporting frame (1), then place the frame (1) over the tube assembly (6) and two support braces (5). Secure using two M10x75 bolts and two M10 lock nuts (4). Do not tighten completely yet. See Fig. 2.

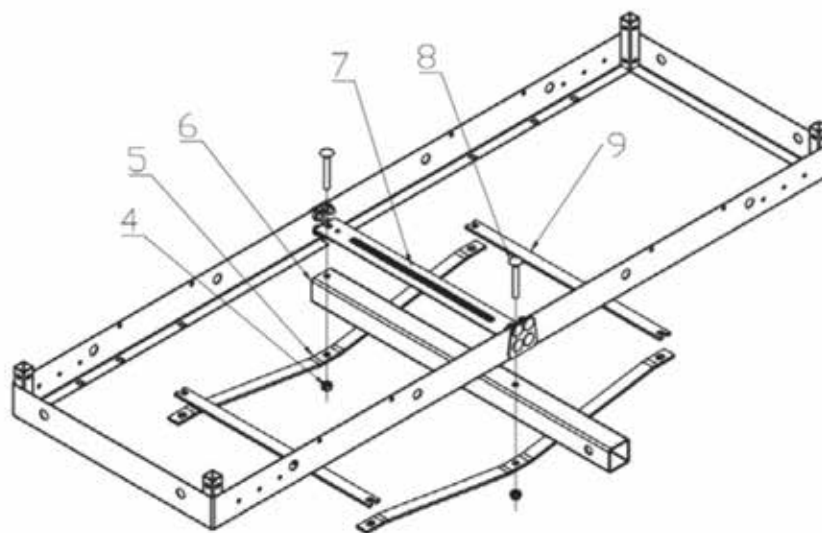


FIG. 2

Step 3. Secure both sides of the two support braces (5) and the two stiffeners (9) to the frame (1) with four M10x25 carriage bolts (14) and four M10 lock nuts (4). Do not tighten completely yet. See Fig. 3.

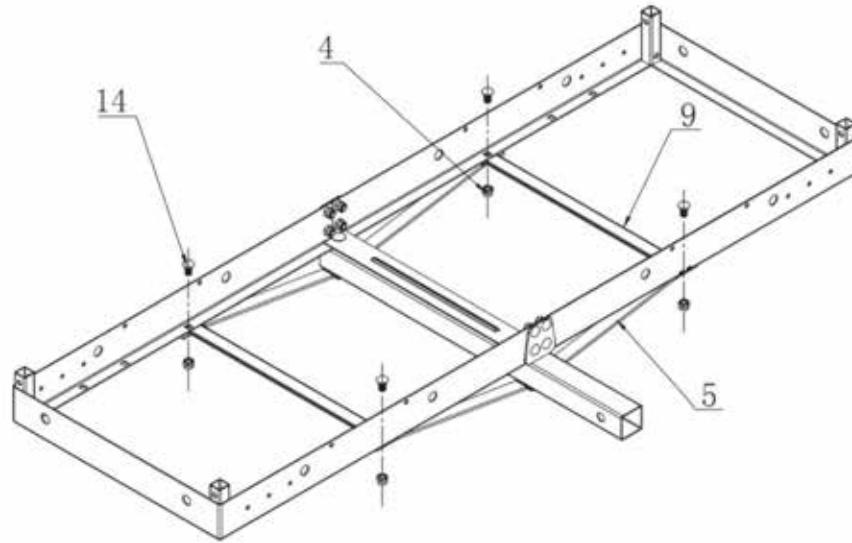


FIG. 3

Step 4. Check that the two frame sides align horizontally, then tighten all bolts and nuts.

Step 5. Insert the cylindrical pin with spring on the bottom of the side fences (10) into the side hole on the corner fixtures of the supporting frames (1). For ease of assembly, place with the fencing inside. See Fig. 4.

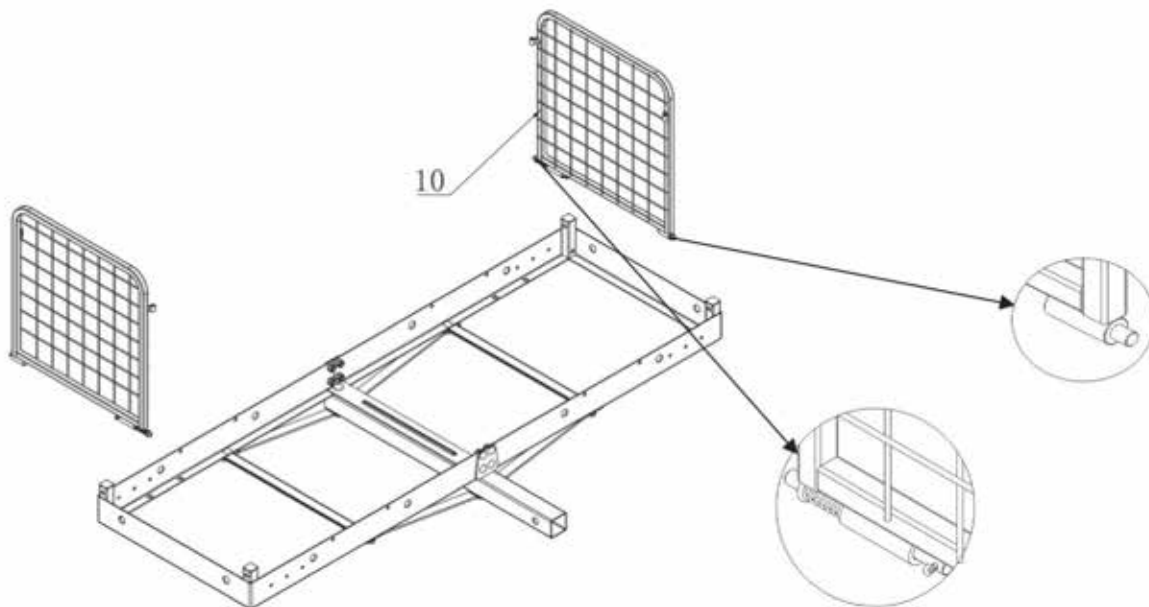


FIG. 4

Step 6. Insert the front left and right fences (11, 12) together, and assemble them on the corner fixtures of the supporting frames (1). For ease of assembly, place with the fencing inside. See Fig. 5.

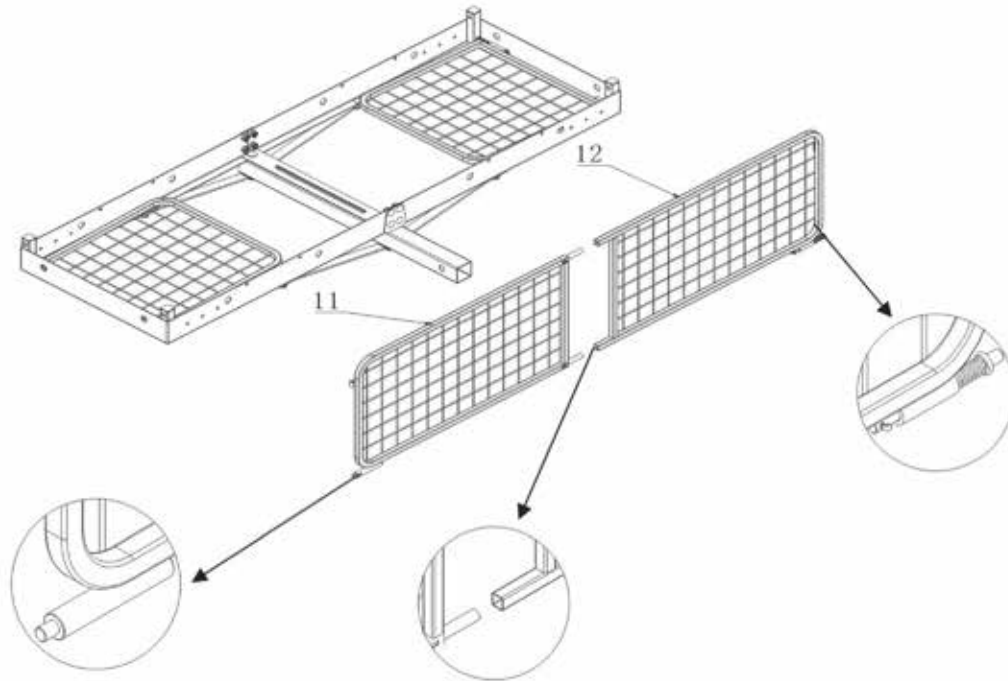


FIG. 5

Step 7. Insert the back left and right fences (11, 12) together, and assemble them on the corner fixtures of the supporting frames (1). For ease of assembly, place with the fencing inside. See Fig. 6.

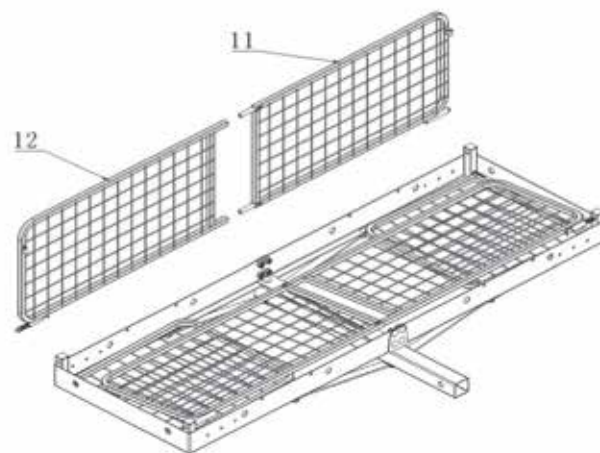


FIG. 6

Step 8. Align the holes on all hinges, then insert the pin (13) and secure with the clip (13). See Fig. 7.

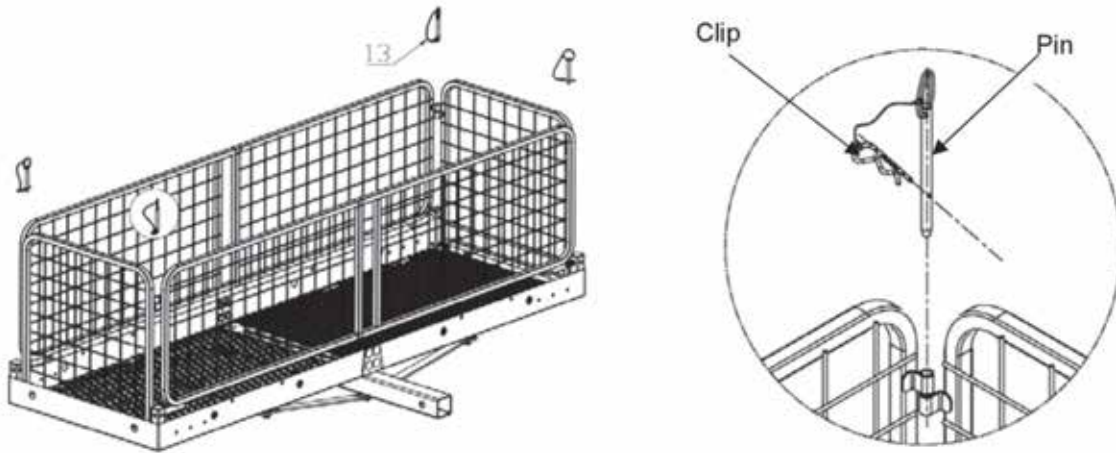


FIG. 7

Operation

WARNING: The load weight must be centered or evenly distributed across the carrier platform. Always use appropriate tie-down restraints to securely attach any cargo loaded onto the cargo carrier before moving the vehicle any distance. Do not leave loose items on the platform while operating the vehicle.

The cargo carrier can be loaded with up to 500 lbs. of evenly distributed cargo **if an appropriately rated hitch is used**. Never exceed the maximum trailer hitch tongue weight rating of your trailer hitch. The weight of the carrier should be included in the total weight placed on the hitch.

Always use reflectors. Make certain to use the appropriate red flags when moving a load. Check with your local traffic enforcement agency to make certain that you are correctly following all local laws.

Maintenance

Maintain your cargo carrier regularly. It is recommended that the general condition of the carrier be examined before each use. Check all nuts and bolts on a regular basis to make sure they are tightened. If you hear any abnormal vibrations or noise, have the problem corrected before further use.

Product Warranty and Liability

GENERAL PRODUCT WARRANTY: Products purchased from the Authorized Dealer (original place of purchase) or Merchant ("Dealer") will be free of defects in material and workmanship at the time of receipt, and will meet the specifications stated at the place of purchase transaction or online at the Dealer's website, under normal use and service when correctly installed, operated and maintained. This product warranty is effective for the period of time stated below, unless otherwise stated in the product instructions or depicted in the product advertisement. **All Authorized Dealer warranties are NON-TRANSFERABLE** and cover only the original end purchaser. This limited warranty does not cover products purchased through non-authorized dealers. Non-authorized dealer receipts are not accepted for warranty verification.

*****Warranty claims must be made directly to the original place of purchase.*****

WARRANTY PERIOD: This warranty remains in force for one year from the date of the product's accepted delivery. The Authorized Dealer offers a one year manufacturer's warranty for most products unless otherwise specified on the product advertisement.

WARRANTY SERVICE: The Authorized Dealer will replace any defective or malfunctioning part at no charge, including payment of the shipping costs of parts or replacement product to and from the manufacturer. The purchaser is responsible for labor charges. If the product does not meet specifications as depicted in the advertisement, the Authorized Dealer will refund the full purchase price of the product.

Questions regarding the warranty on a specific product and warranty claims should be directed to the Authorized Dealer with whom the purchase transaction was made.

WARRANTY LIMITATIONS: The above warranty does not apply to products that are repaired, modified or altered by any party other than the Authorized Dealer; are subjected to unusual physical stress or conditions (such as overloaded ramps or corrosion), natural disaster, governmental actions, wars, strikes, labor disputes, riots, theft, vandalism, terrorism or any reason beyond reasonable control; are damaged due to improper installation, misuse, abuse, accident or negligence in use, storage, transportation or handling, or tampering; or to products that are considered consumable items or items requiring repair or replacement due to normal wear and tear.

Product should be inspected prior to signing for delivery. Product damage incurred during shipping, unless noted on the Bill of Lading at the time of delivery, renders this warranty void.

LIMITED LIABILITY: In no event shall THE AUTHORIZED DEALER be liable to the purchaser or any third party for any indirect, incidental, consequential, special, exemplary or punitive damages arising out of the use of the product, including, without limitation, property damage, loss of value of the product or any third party products that are used in or with the product, or loss of use of the product or any third party products that are used in or with the product.

