



# Hitch-Mounted Deer Hoist

## Instructions for Part DEER-HOIST-SWIVEL



### **GENERAL GUIDELINES & SAFETY**

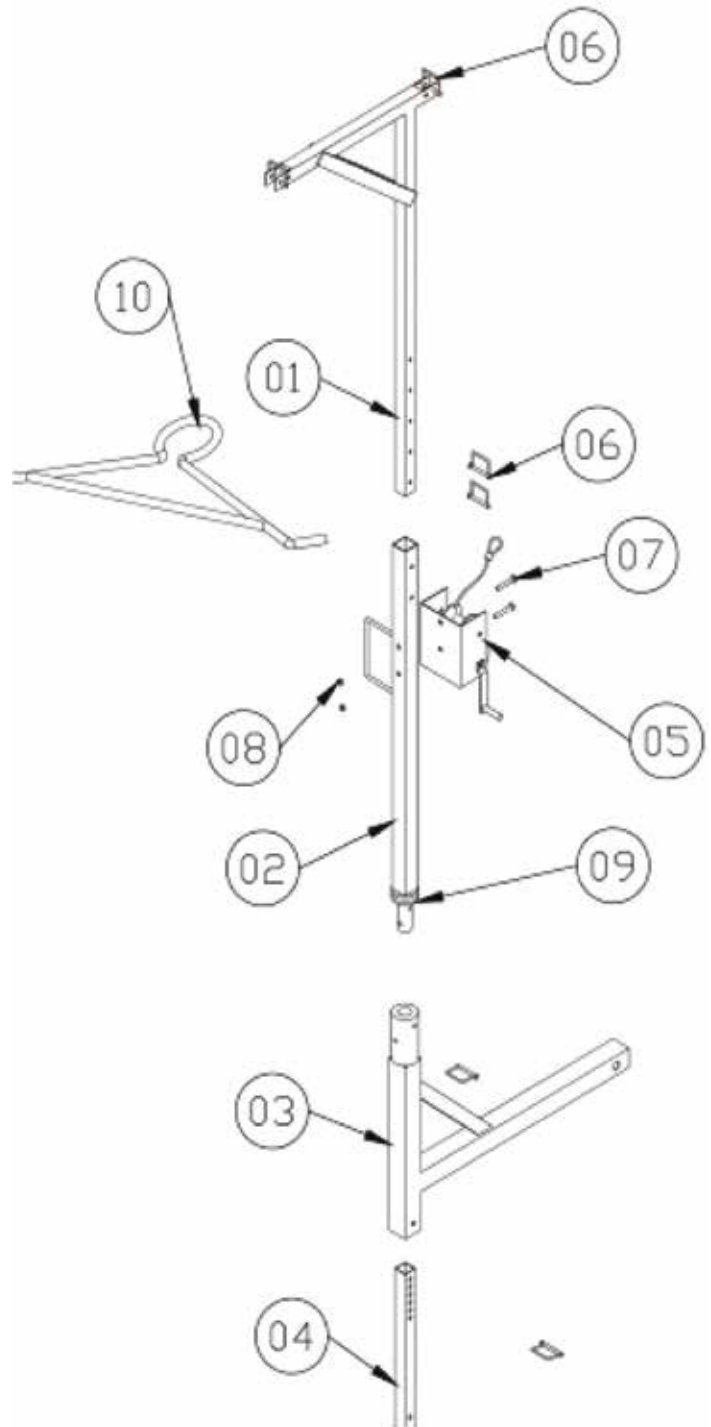
- It is the user's responsibility to read and follow all instructions.
- Keep these instructions with the product at all times and review before each use.
- It is the responsibility of this product's owner to furnish the instructions to any person that borrows or purchases the product.
- Inspect the product before use to ensure it is assembled properly and all parts are in safe working order and free of defects.
- Never modify this product in any way.
- All circumstances cannot be addressed in these instructions. Please use common sense and practice general safety measures when using this product.
- Read and understand all warnings and instructions prior to assembly. Failure to do so can result in serious personal injury.
- Do not exceed the 500-lb. weight capacity. Weight capacity includes weight of gambrel, game, and any force being applied during hanging, dressing, skinning, etc.
- Be sure game hoist is properly assembled and positioned on firm, level ground before each use.
- Never use this product for anything other than its intended purpose, and never move vehicle with product installed.
- Do not use this product under the influence of alcohol, medication, illegal substances, or any mind-altering drug.
- Never let children play with or use this product.
- Store your game hoist in a clean, dry place and away from solvents, chemicals, or other materials that could damage any of the components

# **PARTS**

Part	Description	Quantity
1	Arm Support	1
2	Center Support	1
3	Hitch Tube	1
4	Support Foot	1
5	Winch	1
6	D-Ring	4
7	M10X70 Bolt	2
8	Locknut	2
9	Bearing Assembly	1 Set
10	Gambrel	1
11	Washers	4

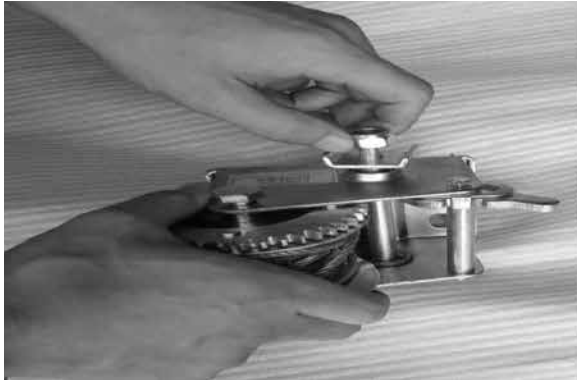
# **WINCH ASSEMBLY**

Part	Description	Quantity
A	Winch Handle	1
B	Winch Frame	1
C	Winch Spool	1



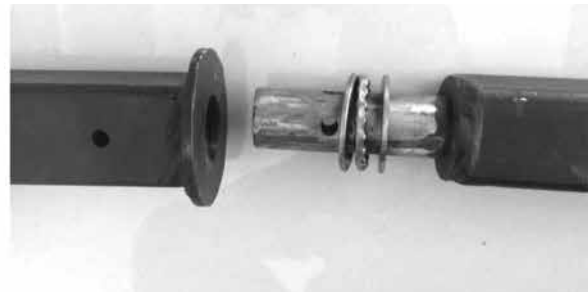
# **ASSEMBLY**

**Step 1.** Unscrew the nut on the Winch Frame (B), assemble the Winch Handle (A) and tighten the nut.



**Step 2.** Slide the Bearing Assembly (9) over the round end of the Center Support (2).

**Note:** The Bearing Assembly includes 3 pieces and must be fitted properly to ensure correct movement. Sandwich the piece with the balls between the two remaining pieces. The grooves should be positioned so they sit against the ball.



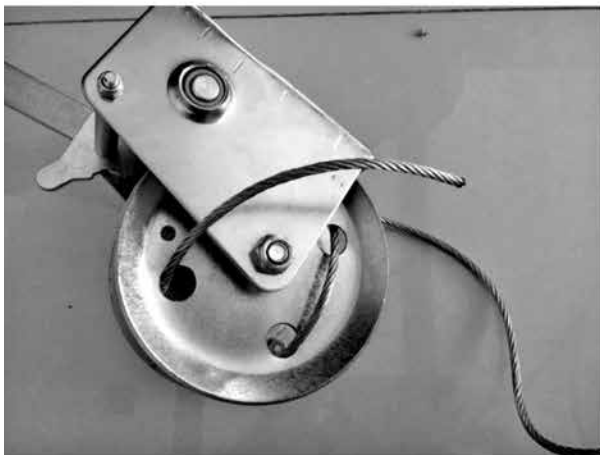
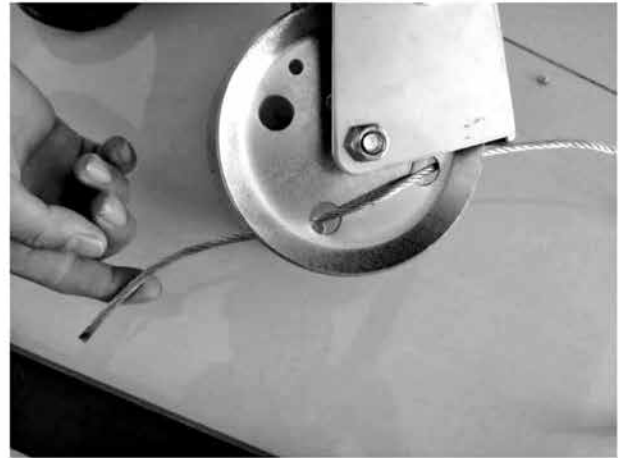
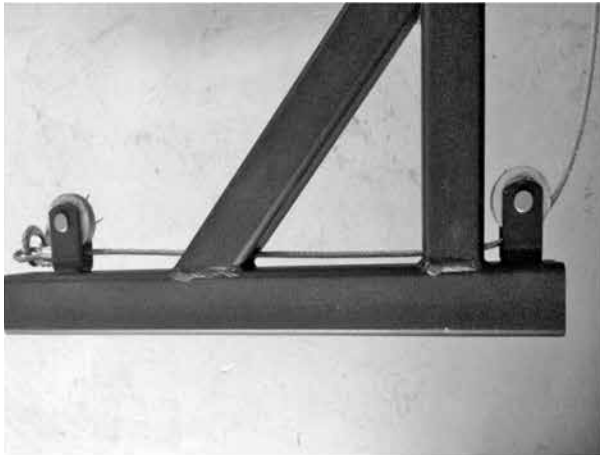
**Step 3.** Slide Center Support (2) and Bearing Assembly (9) into Hitch Tube (3). Secure with one D-Ring (6).



**Step 4.** Assemble the Arm Support (1) into Center Support (2). Secure with two D-Rings (6).



**Step 5.** Unspool the steel cable from Winch spool (c). Thread the steel cable into the front and rear pulleys with the hook end running off the front of Arm Support (1), from left to right. Secure the steel cable to the winch spool and attach winch spool to the winch frame with the included bolt attached to the spool.



**Step 6.** Install Winch (5) on the Center Support (2) with two M10X70 Bolts (7), four washers (11) and two Lock Nuts (8).



**Step 7.** Insert Support Foot (4) into Hitch Tube (3). Secure with one D-Ring (6).



**Step 8.** Assemble the Gambrel (10) into the cable hook.



## **WINCH**

- Make sure the cable assembly has some tension in it when winding the winch.
- Try to evenly wind the cable in to the winch spool.

## **PRODUCT WARRANTY & LIABILITY**

**GENERAL PRODUCT WARRANTY:** Products purchased from the Authorized Dealer (original place of purchase) or Merchant ("Dealer") will be free of defects in material and workmanship at the time of receipt, and will meet the specifications stated at the place of purchase transaction or online at the Dealer's website, under normal use and service when correctly installed, operated and maintained. This product warranty is effective for the period of time stated below, unless otherwise stated in the product instructions or depicted in the product advertisement. All Authorized Dealer warranties are NON-TRANSFERABLE and cover only the original end purchaser. This limited warranty does not cover products purchased through non-authorized dealers. Non-authorized dealer receipts are not accepted for warranty verification.

**\*\*\*WARRANTY CLAIMS MUST BE MADE DIRECTLY TO THE ORIGINAL PLACE OF PURCHASE.\*\*\***

**WARRANTY PERIOD:** This warranty remains in force for one year from the date of the product's accepted delivery. The Authorized Dealer offers a one year manufacturer's warranty for most products unless otherwise specified on the product advertisement.

**WARRANTY SERVICE:** The Authorized Dealer will replace any defective or malfunctioning part at no charge, including payment of the shipping costs of parts or replacement product to and from the manufacturer. The purchaser is responsible for labor charges. If the product does not meet specifications as depicted in the advertisement, the Authorized Dealer will refund the full purchase price of the product.

Questions regarding the warranty on a specific product and warranty claims should be directed to the Authorized Dealer with whom the purchase transaction was made.

**WARRANTY LIMITATIONS:** The above warranty does not apply to products that are repaired, modified or altered by any party other than the Authorized Dealer; are subjected to unusual physical stress or conditions (such as overloaded ramps or corrosion), natural disaster, governmental actions, wars, strikes, labor disputes, riots, theft, vandalism, terrorism or any reason beyond reasonable control; are damaged due to improper installation, misuse, abuse, accident or negligence in use, storage, transportation or handling, or tampering; or to products that are considered consumable items or items requiring repair or replacement due to normal wear and tear.

Product should be inspected prior to signing for delivery. Product damage incurred during shipping, unless noted on the Bill of Lading at the time of delivery, renders this warranty void.

**LIMITED LIABILITY:** In no event shall **THE AUTHORIZED DEALER** be liable to the purchaser or any third party for any indirect, incidental, consequential, special, exemplary or punitive damages arising out of the use of the product, including, without limitation, property damage, loss of value of the product or any third party products that are used in or with the product, or loss of use of the product or any third party products that are used in or with the product.

