

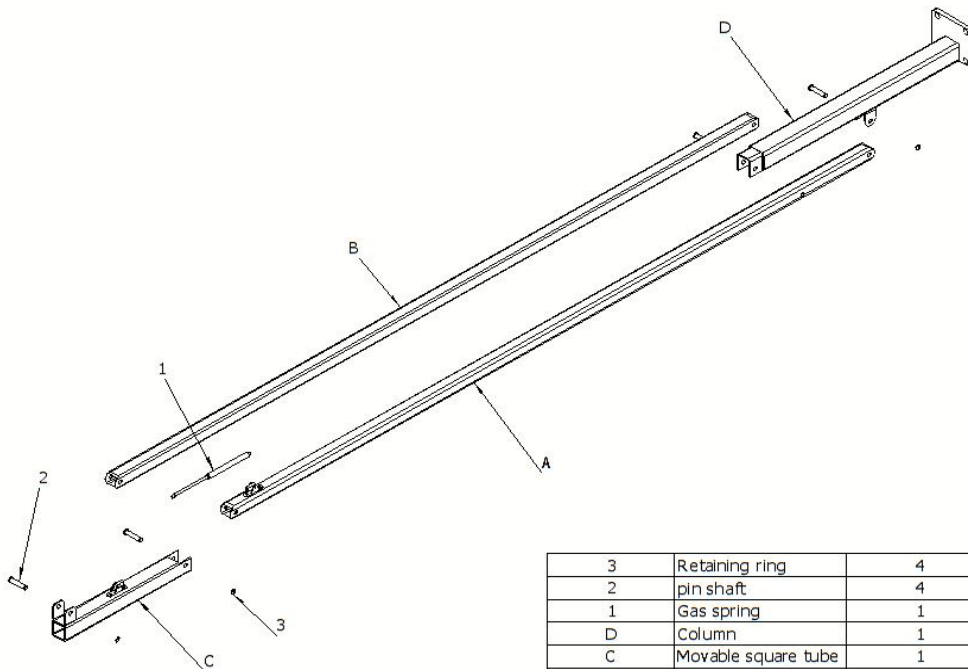


Door Dock Gates

Instructions for Part 8', 10', 12'

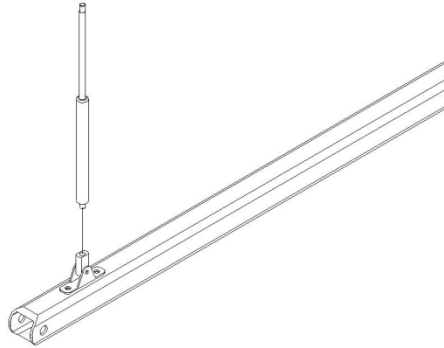
GENERAL GUIDELINES & SAFETY

- It is the user's responsibility to read and follow all instructions.
- Keep these instructions with the product at all times and review before each use.
- It is the responsibility of this product's owner to furnish the instructions to any person that borrows or purchases the product.
- Inspect the product before use to ensure it is assembled properly and all parts are in safe working order and free of defects.
- Never modify this product in any way.
- All circumstances cannot be addressed in these instructions.
- Please use common sense and practice general safety measures when using this product.

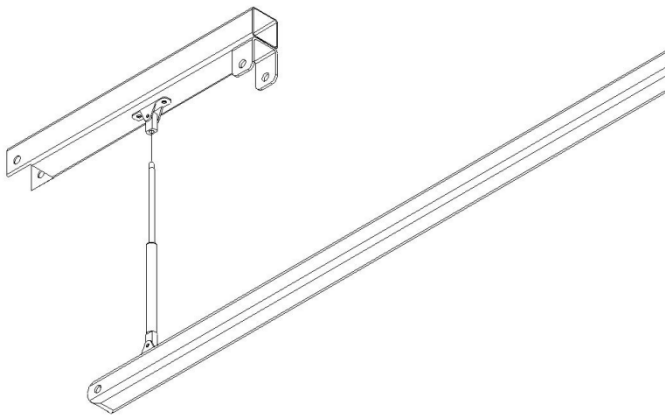


3	Retaining ring	4
2	pin shaft	4
1	Gas spring	1
D	Column	1
C	Movable square tube	1
B	Top square tube	1
A	Bottom square tube	1
Serial number	name	number
Schedule		

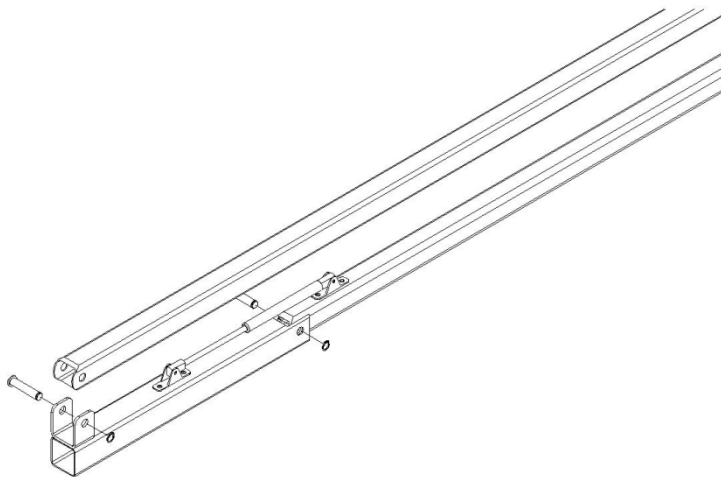
Step 1: Screw the gas spring (1) into the bottom square tube (A).



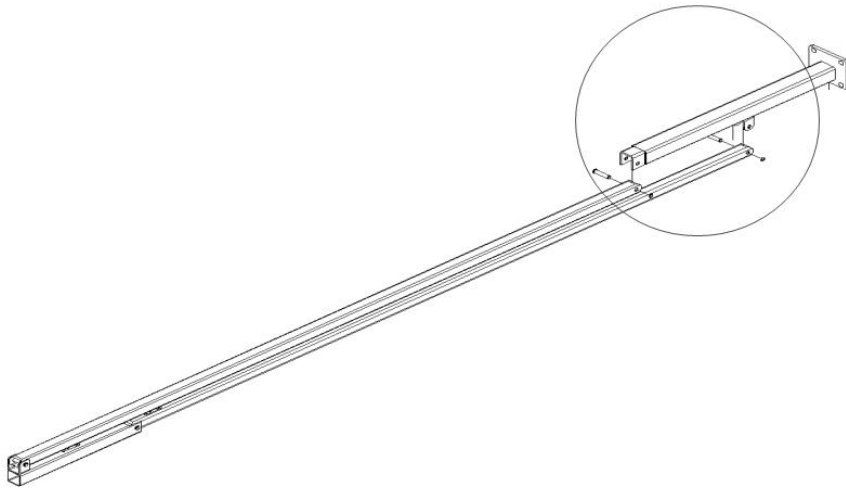
Step 2: Screw the movable square tube (C) to the other end of the gas spring (1).



Step 3: Lie down the bottom square tube (A) and the movable square tube (C) and must lie flat these two parts, insert the bottom square tube (A) into the tail slot of the movable square tube (C), put the pin shaft into the hole, and insert the retaining ring.



Then place the top square tube (B) in the top slot of the movable square tube (C), put into the pin shaft, and insert the retaining ring.



Step 4: Align the column (D) with all installed parts into the slot, put into the pin shaft, and insert the retaining ring. After supporting the railing to the erect state, it can be used. Finally, Finally, connect the column to the ground.

