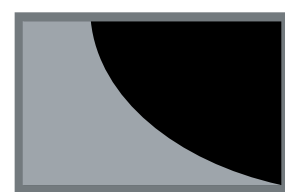


Assembly Instructions

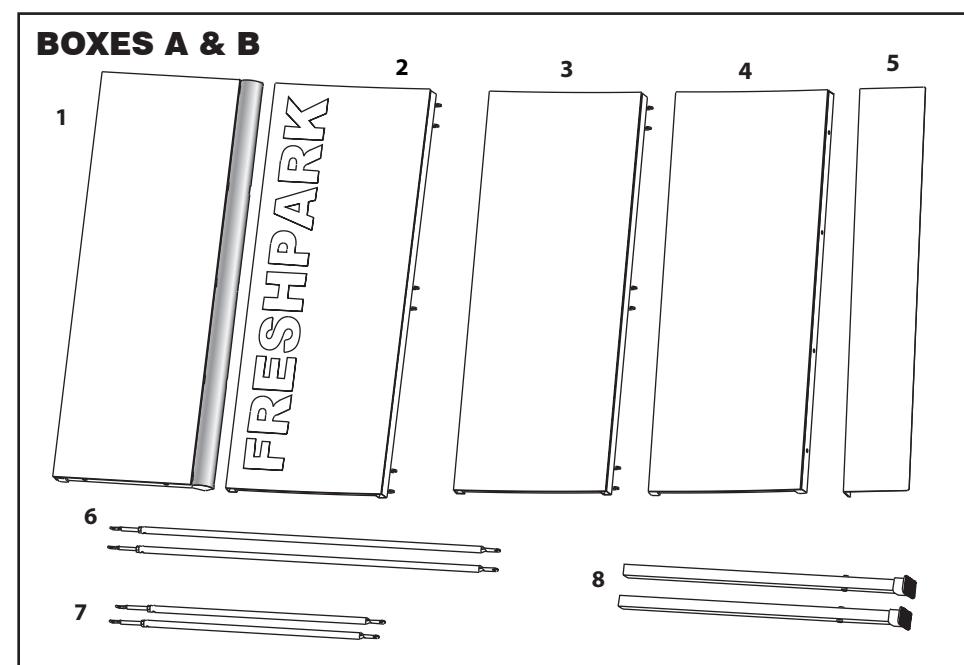


FRESHPARK

PROFESSIONAL PORTABLE STREETPARKS

FP 301 Quarterpipe
 FP 302 Fun Box / Manual Pad
 FP 309 Launch Ramp
 FP 310 Wedge Ramp
 FP 305 Fun Box Extension Legs

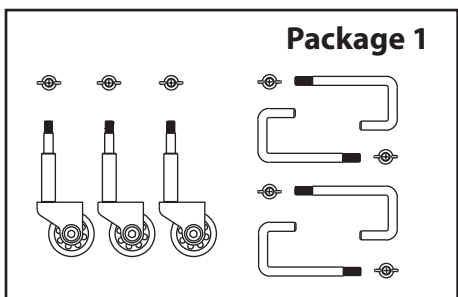
Quarterpipe Parts Included in Box A and Box B



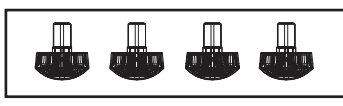
1. Top Deck Panel with Steel Coping
2. Upper Panel with logo
3. Middle Panel
4. Lower Panel
5. Steel Toe (1 Piece)
6. Long Support Bars (2 Pieces)
7. Short Support Bars (2 Pieces)
8. Legs (2 Pieces)

The Quarterpipe comes in two boxes: Box A and Box B.

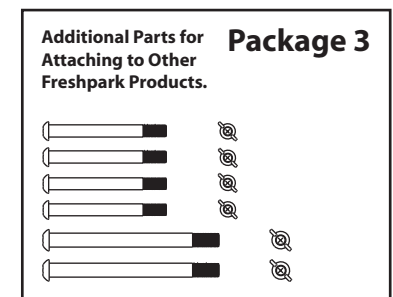
FP 301 Quarterpipe Product Specs
 Product Size: 10' Radius Maximum Weight: 500 lbs.
 47" Width, 33" Height Folding: Folds to a 20" x 20" x 47" triangle
 Product Weight: 157 lbs.



- Package 1**
- J-Shaped Bolt with Wing Nut (4 sets/8 total pieces)
 - Wheel with Wing Nut (3 sets/6 total pieces)



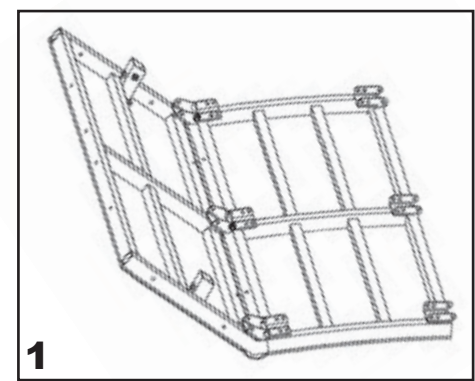
- Package 2**
- 3 1/8" Allen Bolt, 2 Washers and Hex Nut (9 sets/36 total pieces)
 - 1 1/2" Allen Bolt, 2 Washers and Hex Nut (4 sets/16 total pieces)
 - 2 3/8" Allen Bolt, 2 Washers and Hex Nut (2 sets/8 total pieces)
 - Hex Wrench Tool (1 piece)



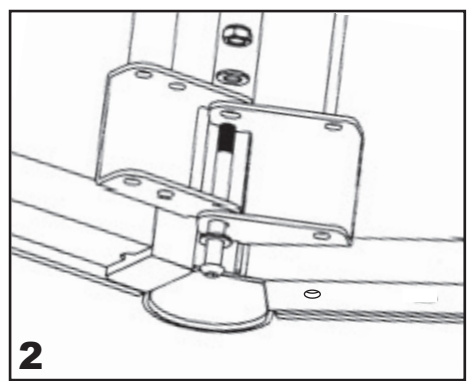
- Package 3**
- 3" Allen Bolt with Wing Nut (4 sets/8 total pieces)
 - 4" Allen Bolt with Wing Nut (2 sets/4 total pieces)

- Plastic Bag**
- Knobs (4 pieces)

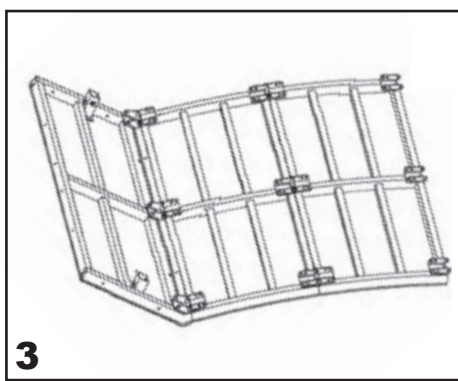
Please Note: Freshpark Quarterpipe is easier to assemble with 2 people



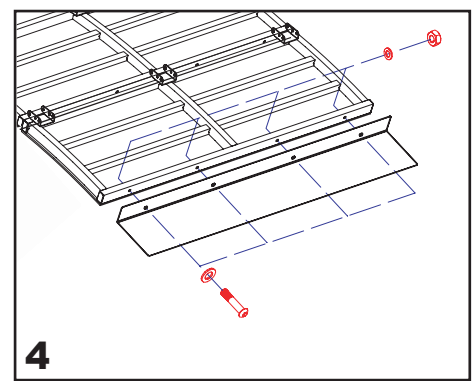
1 Start by laying all four panels flat on the ground. Align the Upper Ramp Panel to the Top Deck Panel. Raise the Top Deck Panel to align the hinges.



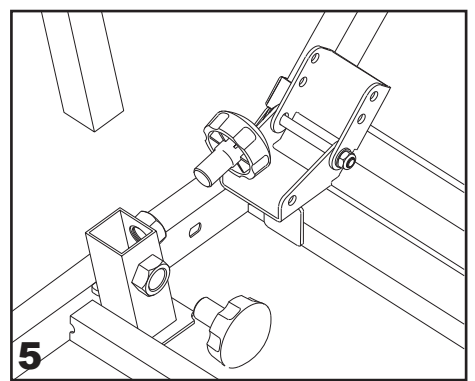
2 Use the Hex wrench tool and a 1/2" wrench (not included) to secure the ramp panels with three 3 1/8" Allen Bolt Sets (12 total pieces). Start with the outside hinges first, then secure the middle hinge (bolts must face inward).



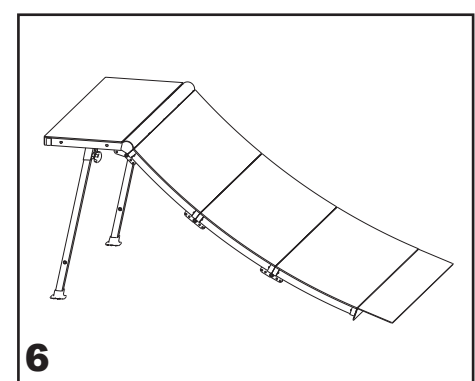
3 Repeat step 2 to secure the Middle Ramp and Lower Ramp Panels. Once all panels are in place, secure all bolts but do not overtighten. Overtightening the bolts will prevent the ramp from folding easily.



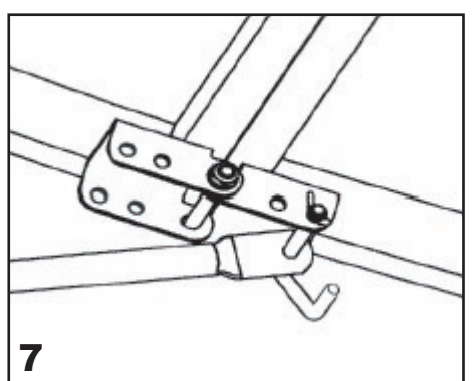
4 Attach the Steel Toe to the outer edge of the Lower Ramp Panel with four 1 1/2" Allen Bolt Sets (16 total pieces). The large washer must hold the steel toe, and the small washer must be on the inside of the frame. The top of the Steel Toe should be leveled with the riding surface. Securely tighten all bolts.



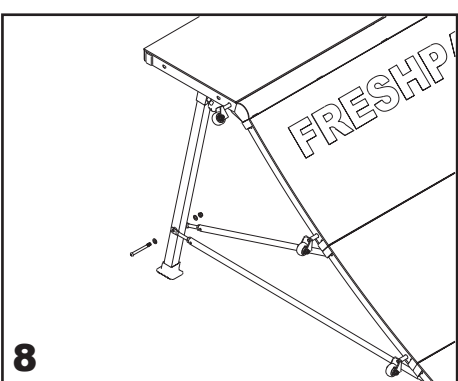
5 Next, insert the Legs completely into the leg housings on the Top Deck. Use two Knobs to secure each leg. Without overtightening, make sure the legs are secure and firmly in place.



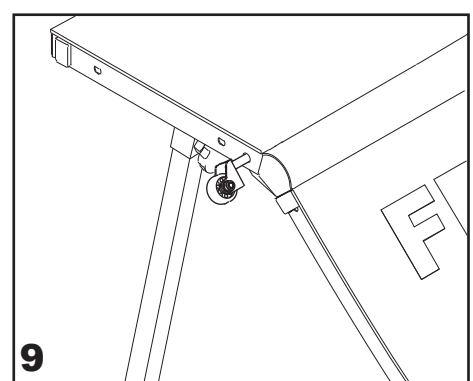
6 Next, turn the ramp upright, but first make sure to secure all bolts, but do not overtighten. Overtightening the bolts will prevent the ramp from folding easily. You are now ready to attach the Support Bars.



7 Attach one Short Support Bar to the middle hinge and one Long Support Bar to the lower hinge. Secure the Support Bars using the J-Shaped Bolt with Wing Nut (4 sets/8 pieces total). Insert the J-Shaped Bolt into any of the hinge holes, with the threaded portion facing inward, and secure with the Wing Nut.

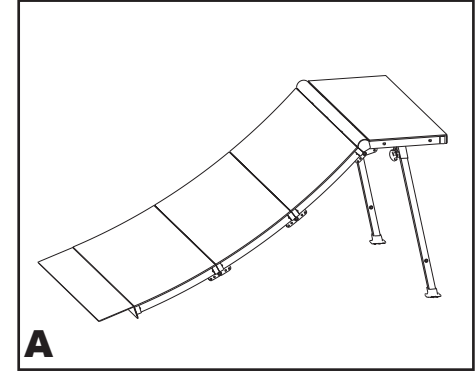


8 Fully extend the ramp by pulling on the Top Deck Panel. Adjust the length of the Support Bars and attach them to the legs by inserting one 2 3/8" Allen Bolt through the two Support Bars and the leg hole. Ensure that the ramp is fully extended (pull the legs back to extend it), and that all Support Bars are tight.

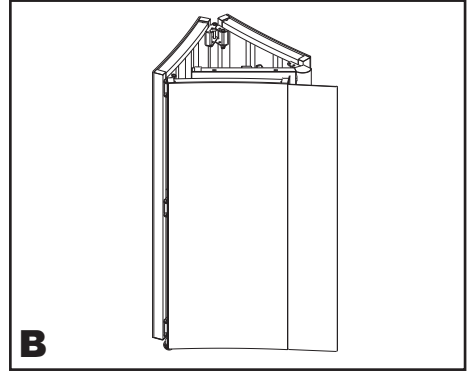


9 Insert the wheels into the sleeve hole in the frame and secure with the wing nuts. The wheels should face inward when the ramp is in use and outward when ready for folding.

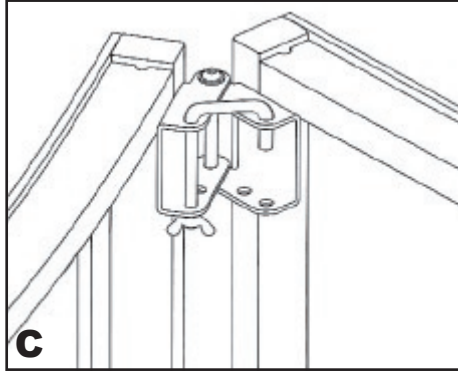
Folding Your Quarterpipe



A Disconnect the Short and Long Support Bars from the panel hinge only (not from the Legs). Wheels must face outward. With the help of a friend, turn the ramp on its side, resting on the wheels. Fold slightly (to keep it stable and prevent from tipping over), then remove the Legs.



B Fold the Upper and Middle Ramp Panels inward. Next, fold the Top Deck Panel and last the Lower Ramp Panel. When folded, your ramp will form a compact triangle.



C Insert one J-Shaped Bolt through the outer hole of each panel hinge. Tighten with a Wing Nut to lock your Quarterpipe in the folded position. You can now push your ramp to storage.

RETURNS

If you wish to return a Freshpark product, please do not return to the purchasing store, contact us via email at returns@freshpark.com or call us at 800.490.2709 to receive a Return Authorization (RA) number. All returns must have an RA number. Products returned without an RA number will not be accepted. Proof of purchase (i.e., invoice, sales slip, or packing slip) is required for warranty and return verification. Freshpark reserves the right to repair, supply replacement parts, or replace defective product at our discretion.

WARRANTY

If, for any reason, you are not completely satisfied with your purchase, you have the option to exchange your product, receive a refund, or credit your purchase within 30 days (shipping not included). We promise to be fair and reasonable with each customer on any complaint or adjustment and are always considerate of the customer's point of view.

We strive to build long-term relationships with each of our customers and a big part of accomplishing this is by ensuring your satisfaction with our products. We will do everything we can to make sure you're completely satisfied with the products and service you receive from Freshpark.

All Freshpark products come with a 90-day Limited Manufacturers Warranty. Freshpark warrants all products to be free of defects due to flaws in materials, manufacturing or workmanship for 90 days from the date of purchase. There are no other express or implied warranties.

The warranty is limited to appropriate skateboarding, bmx, and inline skating use. Misuse will void the warranty. The warranty does not extend to standard "wear and tear" produced by normal operation or to any damage, failure or loss caused by improper assembly, maintenance, storage, consumer abuse, or neglect.

These products are intended for use only with skateboards, bmx, and inline skates. Never use equipment such as scooters, snowboards, sleds, mountain or road bikes, etc. with this product. Doing so may result in damage to the product and cause serious injury to the user. These products are not designed nor warranted for commercial or public installation.



CAUTION

ADULT SUPERVISION IS REQUIRED WHEN ASSEMBLING AND USING ALL FRESHPARK PRODUCTS.

FAILURE TO FOLLOW FRESHPARK ASSEMBLY INSTRUCTIONS MAY RESULT IN SERIOUS INJURY.

READ FRESHPARK ASSEMBLY INSTRUCTIONS COMPLETELY BEFORE ASSEMBLING ALL FRESHPARK PRODUCTS.

ASSEMBLE ALL FRESHPARK PRODUCTS IN A SAFE, SUPERVISED LOCATION.

USE CAUTION WHEN ASSEMBLING HINGE AREAS TO KEEP FINGERS FROM BEING PINCHED.

SECURELY TIGHTEN ALL FRESHPARK BOLTS AND KNOBS AND VERIFY THAT ALL PARTS ARE IN GOOD CONDITION PRIOR TO EACH PRODUCT USE.

RIDING FRESHPARK PRODUCTS WITH MISSING, LOOSE, OR DAMAGED HARDWARE MAY RESULT IN SERIOUS INJURY AND VOID OF FRESHPARK WARRANTY.

WARNING

Maximum weight of 500 lbs (227 kg). Maximum weight is total weight of user and equipment.

Action sport activities, such as skateboarding, BMX, inline skating, and others, can be dangerous and may result in serious injury. Participating in such activities while using Freshpark ramps and other skate products may increase the risk of injury.

- Always read and follow instructions and safety warnings provided for Freshpark products and any product used in conjunction with Freshpark products.
- Always wear appropriate protective gear (including a helmet, kneepads, elbow pads, and wrist guards) when using Freshpark products, regardless of your skill level.
- Do not use Freshpark products in wet weather or in conditions where the temperature falls below 32 degrees Fahrenheit (0°C).
- Only use Freshpark products on flat surfaces, free of debris.
- When connecting Freshpark products together, always make sure modules are securely fastened, using only Freshpark hardware.
- Do not connect Freshpark products to any products outside of the Freshpark line.
- Freshpark products are intended for use in traffic-free areas only. Do not use Freshpark products near automobile or pedestrian traffic.
- Do not use Freshpark products in or near any type of hazard or obstruction, including but not limited to, railings, retaining walls, driveways leading to streets with traffic, steep grades, or swimming pools.

By using any or all Freshpark products, the user acknowledges the above warnings, accepts the related risks, and assumes full responsibility for using Freshpark products as directed. Failure to follow the above warnings further increases the risk of serious injury.

PLEASE RECYCLE ALL PACKAGING MATERIALS

IF YOU HAVE A MISSING OR BROKEN PART, DO NOT RETURN THIS PRODUCT TO THE STORE OR SEEK ASSISTANCE FROM THEM. PLEASE CONTACT FRESHPARK AT parts@freshpark.com, 800-490-2709.