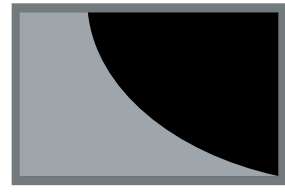


Assembly Instructions



FRESHPARK

PROFESSIONAL PORTABLE STREETPARKS

FP 301 Quarterpipe
 FP 302 Fun Box / Manual Pad
 FP 309 Launch Ramp
 FP 310 Wedge Ramp
 FP 305 Fun Box Extension Legs

Fun Box / Manual Pad

FP302 Fun Box / Manual Pad Product Specs
 Product Size: 37" L x 47" W x 16" or 8" H
 Product Weight: 77 lbs.
 Maximum Weight: 500 lbs.

Parts Included

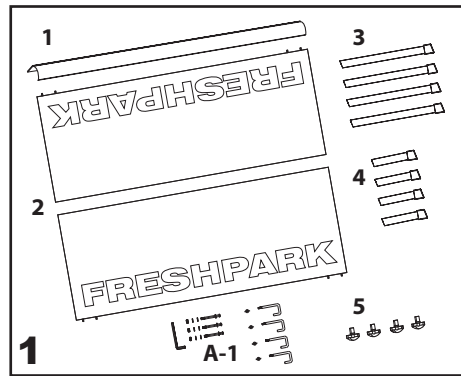
1. Coping (1 piece)
2. Panels (2 identical pieces)
3. Long (16") Legs (4 pieces)
4. Short (8") Legs (4 pieces)
5. Knobs (4 pieces)

Package A-1

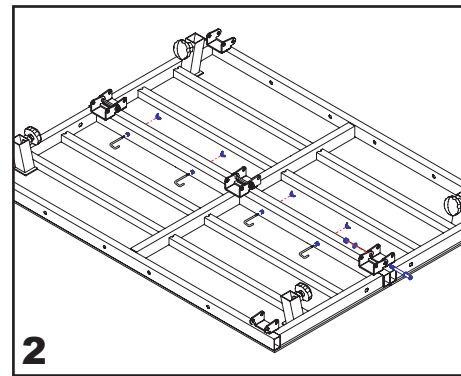
- 3 1/8" Allen Bolt, 2 Washers and Hex Nut (3 sets/12 total pieces)
- 1 1/2" Allen Bolt, Big Washer and Hex Nut (4 sets/16 total pieces)
- J-Shaped Bolt and Wing Nut (4 sets/8 total pieces)
- Hex Wrench Tool (1 piece)

Package A-2 Additional Parts for Attaching to Other Freshpark Ramps

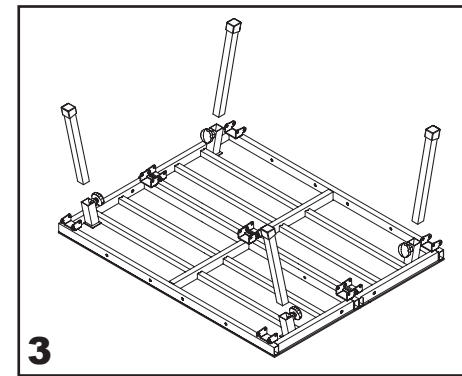
- 2 3/4" Allen Bolt, 2 Washers and Hex Nut (10 sets/40 total pieces)
- 3 1/8" Allen Bolt, 2 Washers and Hex Nut (2 sets/8 total pieces)



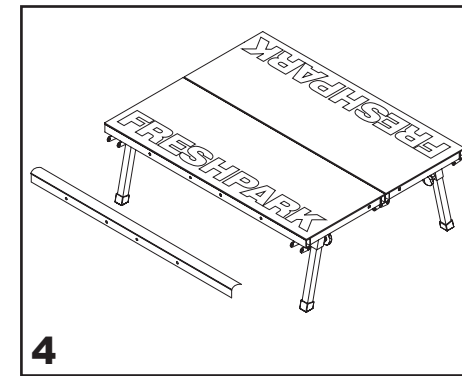
Locate the two Panels, four Long Legs, four Short Legs, four Knobs, one Coping, and Hardware Package A-1.



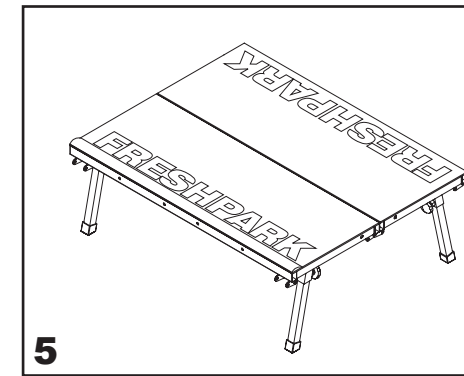
Lay both Panels on the ground (face down) and align their hinges. Use the Hex Tool and a 1/2" wrench (not included) to secure the Panels with three 3 1/8" Allen Bolt Sets (12 total pieces). Start with the outer hinges (bolts must face inward), then secure the middle hinge. Last, fasten securely the Panels' frames with four J-Shaped Bolt sets (8 total pieces) through the pre-drilled holes in the frame. To fold the ramp, remove the J-Shaped Bolts.



Insert one Leg into each of the four housings. Secure each leg with a Knob. Use the four Long Legs to make the Fun Box or the four Short Legs to make the Manual Pad. Use the Long Legs when attaching to the Launch Ramp or the Wedge Ramp.



Once the leg assembly is completed, turn the Fun Box / Manual Pad over. The Fun Box / Manual Pad can be used with or without the Coping.



(Optional) To install the Coping, attach it to either of the two 47" sides using four 1 1/2" Bolt Sets. Secure the coping with the curved edge facing inward. When attaching to the Launch Ramp or the Wedge Ramp, install with the curved edge facing outward.

Launch Ramp and Wedge Ramp * Instructions are the same for both the FP309 Launch Ramp and FP310 Wedge Ramp

FP309 and FP310 Ramp Product Specs
 Product Size: 37" L x 47" W x 16" H
 Product Weight: 70 lbs.
 Maximum Weight: 500 lbs.

Parts Included

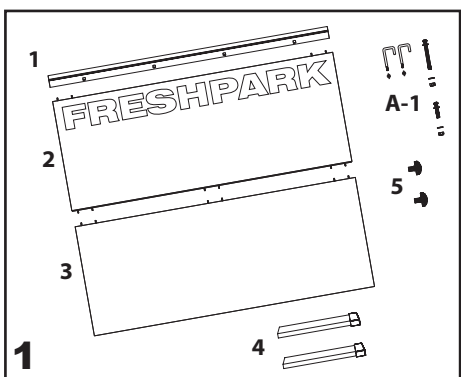
1. Coping (1 piece)
2. Upper Ramp Panel with logo (1 piece)
3. Lower Ramp Panel (1 piece)
4. Legs (2 pieces)
5. Knobs (2 pieces)

Package A-1

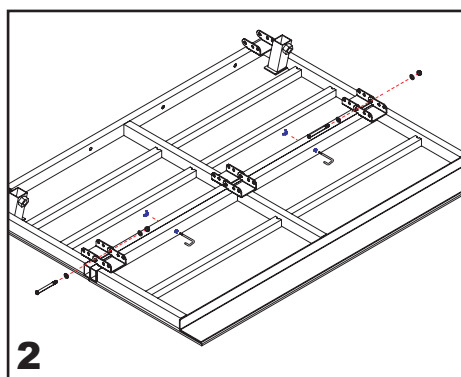
- 3 1/8" Allen Bolt, Washer and Hex Nut (3 sets/12 total pieces)
- 1 1/2" Allen Bolt, Big Washer and Hex Nut (4 sets/16 total pieces)
- J-Shaped Bolt and Wing Nut (2 sets/4 total pieces)
- Hex Wrench Tool (1 piece)

Package A-2 Additional Parts for Attaching to Other Freshpark Ramps

- 3 1/8" Allen Bolt, 2 Washers and Hex Nut (2 sets/8 total pieces)

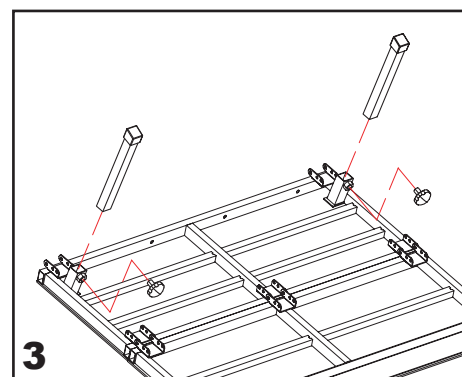


Locate the Upper Ramp Panel (with the logo), the Lower Ramp Panel, the Coping, two Legs, two Knobs, and Hardware Package A-1.

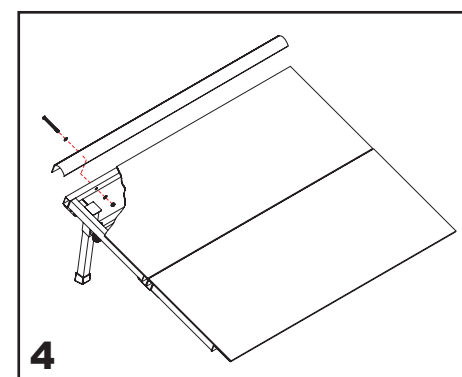


Lay both panels on the ground face down and align their hinges. Use the Hex Tool and a 1/2" wrench (not included) to secure the ramp panels with three 3 1/8" Allen Bolt Sets (12 total pieces). Start with the outer hinges (bolts must face inward), then secure the middle hinge.

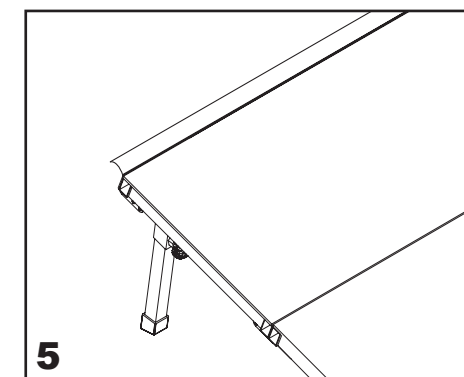
Fasten securely the Panels' frames with two J-Shaped Bolts with Wing Nuts (4 total pieces) through the pre-drilled holes in the frame. Do not ride without the J-Shaped Bolts in place!
 To fold the ramp, remove the J-Shaped Bolts.



Insert the Legs completely into the leg housing to stand flat on the ground. Secure each leg with a Knob.



Attach the Coping to the Upper Ramp Panel using four 1 1/2" Bolt Sets. Secure the Coping with the curved edge facing inward.



To attach your ramp to other Freshpark products, secure the Coping with the curved edge facing outward. This will provide a smooth transition for your ride.

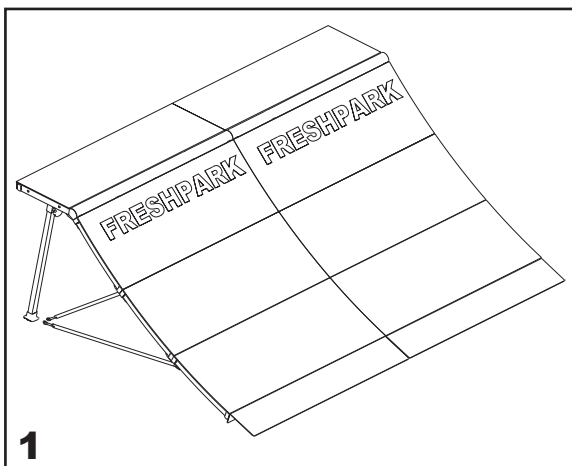
Configurations

Freshpark's modular interlocking feature brings your skateboarding to a new level every day. You can customize your park in minutes by connecting Freshpark's Quarterpipes and fun boxes to increase the challenge and take your skills to the next level.

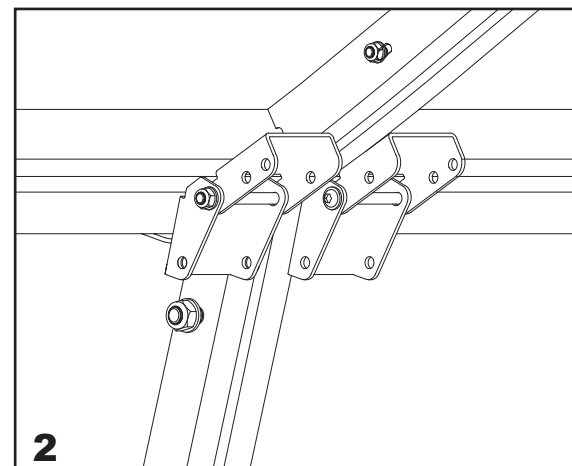
Additional hardware necessary to create your own configurations is included with your purchased product. For additional hardware contact parts@freshpark.com.

Visit www.freshpark.com for additional configuration possibilities!

Two Quarterpipes Side by Side

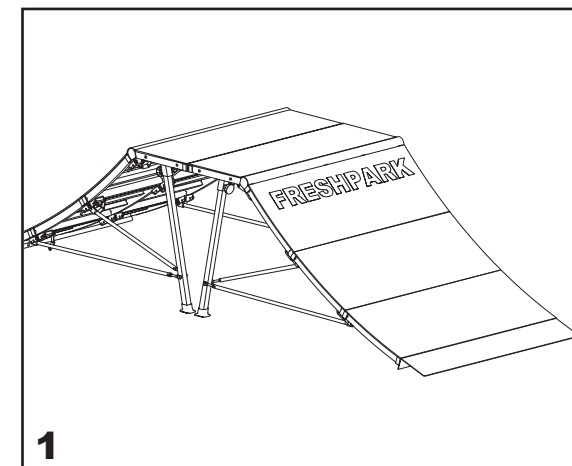


Detach the Support Bars during the set up. Line up the Quarterpipes at the coping. After the Quarterpipes are bolted together (see next step), reattach the support bars (see steps 7 and 8 on the previous page).

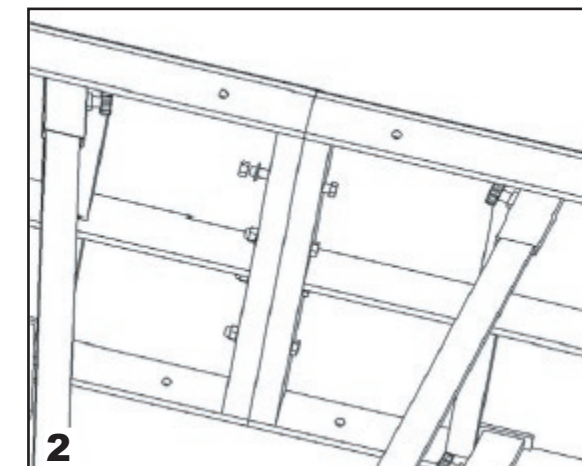


Start by attaching the Upper Panels through the sleeve holes in the frames, next to the coping, using the 4" Allen Bolt Sets in Package 3. Next, join the two lower panels in the same way. Last, attach the Top Deck Panels using the 3" Allen Bolt Sets.

Two Quarterpipes Back to Back



Set up both Quarterpipe Ramps back to back.

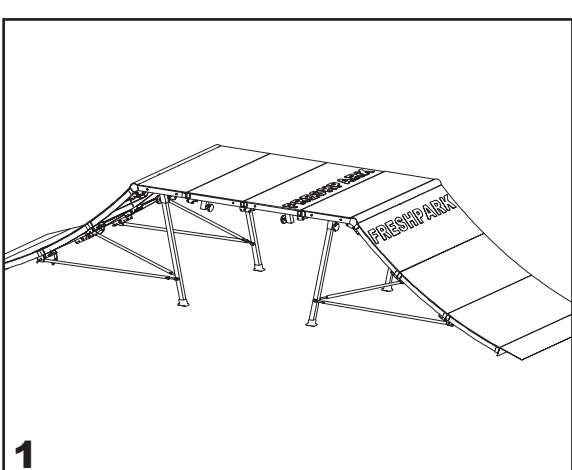


Attach the top panels of both ramps by inserting four 3" Allen Bolt Sets through the pre-drilled holes in the rear of the top panels.

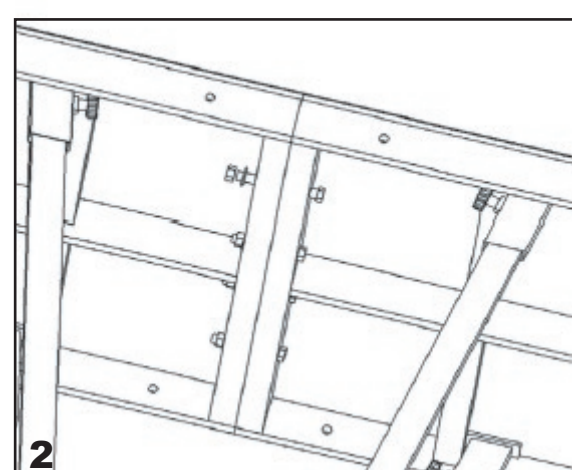
Fun Box & Quarterpipe

This configuration requires the Fun Box Extension Legs (FP305), sold separately.

Two Quarterpipes attached to a Fun Box

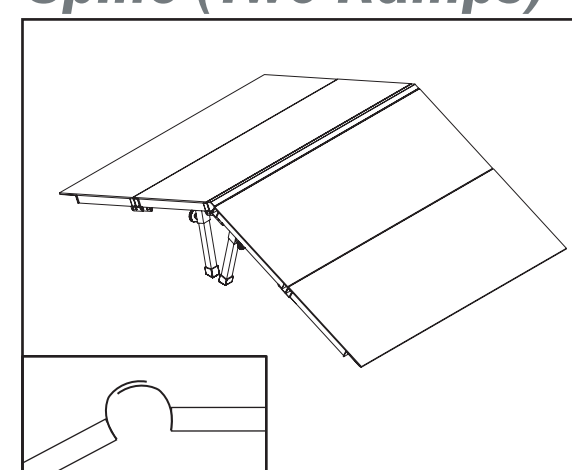


Remove the legs from the Fun Box and place the Fun Box between two back-to-back Quarterpipes. Secure the Fun Box Pad to the Quarterpipes' Top Deck Panels using eight 3" Allen Bolt Sets.



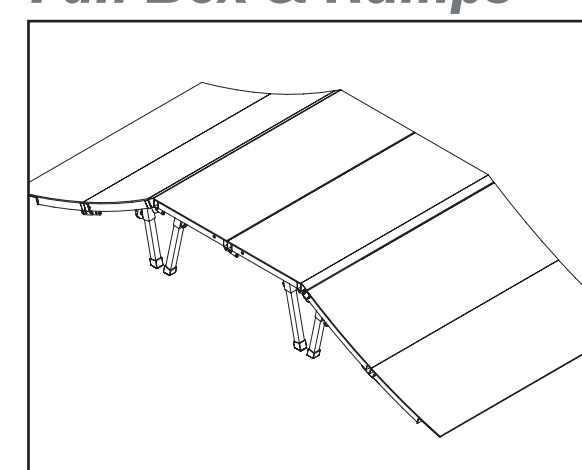
Attach the Top Deck Panels of both ramps to the Fun Box by inserting eight 3" Allen Bolt sets (four on each side) through the pre-drilled holes in both the rear of the Quarterpipe Top Deck panel and the Fun Box.

Spine (Two Ramps)

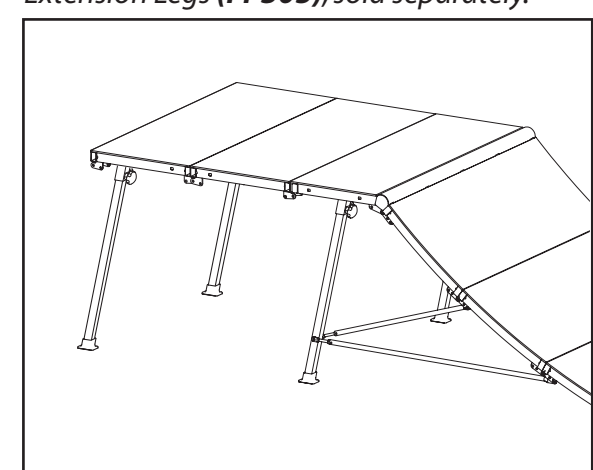


To attach two Launch Ramps or two Wedge Ramps to each other, make sure the Ramps' Coping is secured with the curved edge facing outward (See step 5 of the Ramp instructions). Set up the Ramps back-to-back and line up the panel hinges. Secure the hinges tightly with three 3 1/8" Allen Bolt Sets. Note: the Wedge Ramp will not attach to the Launch Ramp!

Fun Box & Ramps



To attach Launch Ramps or Wedge Ramps to the Fun Box, make sure the Ramps' Coping is secured with the curved edge facing outward (See step 5 of the Ramp instructions). Connect the panel hinges and insert four 3 1/8" Allen Bolt Sets through the hinge hole to secure the Ramps. Make sure that the Coping is flush with the surface of the Fun Box.



Remove the legs from the Fun Box and install the longer legs from the FP305 Extension Legs. Set up the Fun Box against the Quarterpipe's Top Deck Panel. Secure tightly by inserting four 3" Allen Bolt Sets through the pre-drilled holes. This is best done with help from a friend.



Freshpark is distributed in the U.S. and worldwide by Radius 8, Inc.

5900 Hollis Street, Suite N, Emeryville, CA 94608, USA

Phone: 800.490.2709 Fax: 510.373.1700 Email: info@freshpark.com PATENTS GRANTED

FOR MORE INSTRUCTIONS AND TIPS VISIT WWW.FRESHPARK.COM/TIPS