

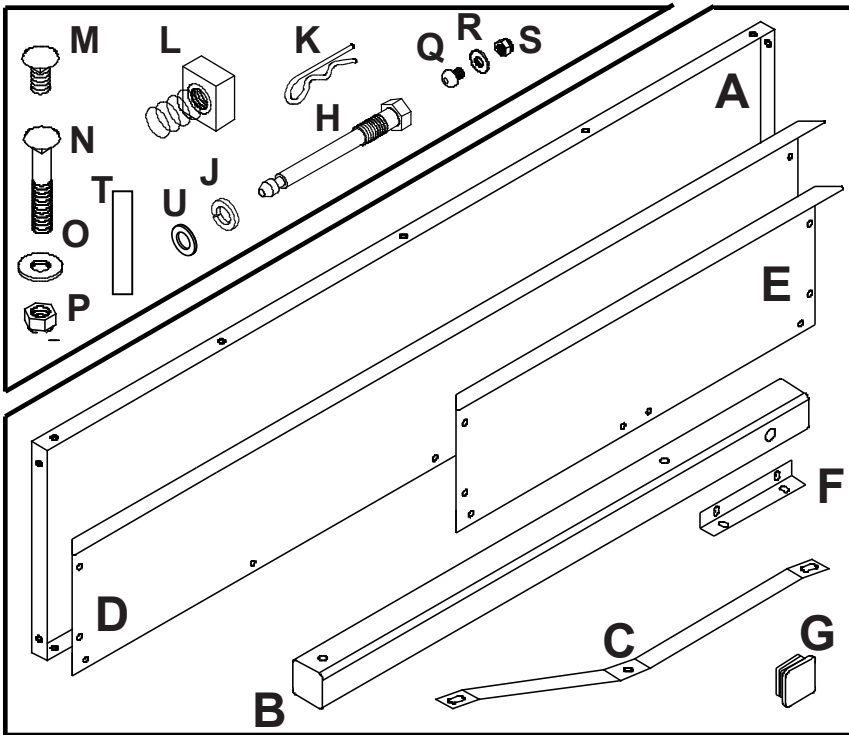
REQUIRED TOOLS: 10mm SOCKET WRENCH WITH EXTENSION,  
7/8" SOCKET WRENCH, 17mm WRENCH, 4mm ALLEN WRENCH

**ASSEMBLY FIT**

"Assembly fit" most parts when building this product. This means leaving nuts and bolts slightly loose to allow parts to easily fit together throughout assembly.

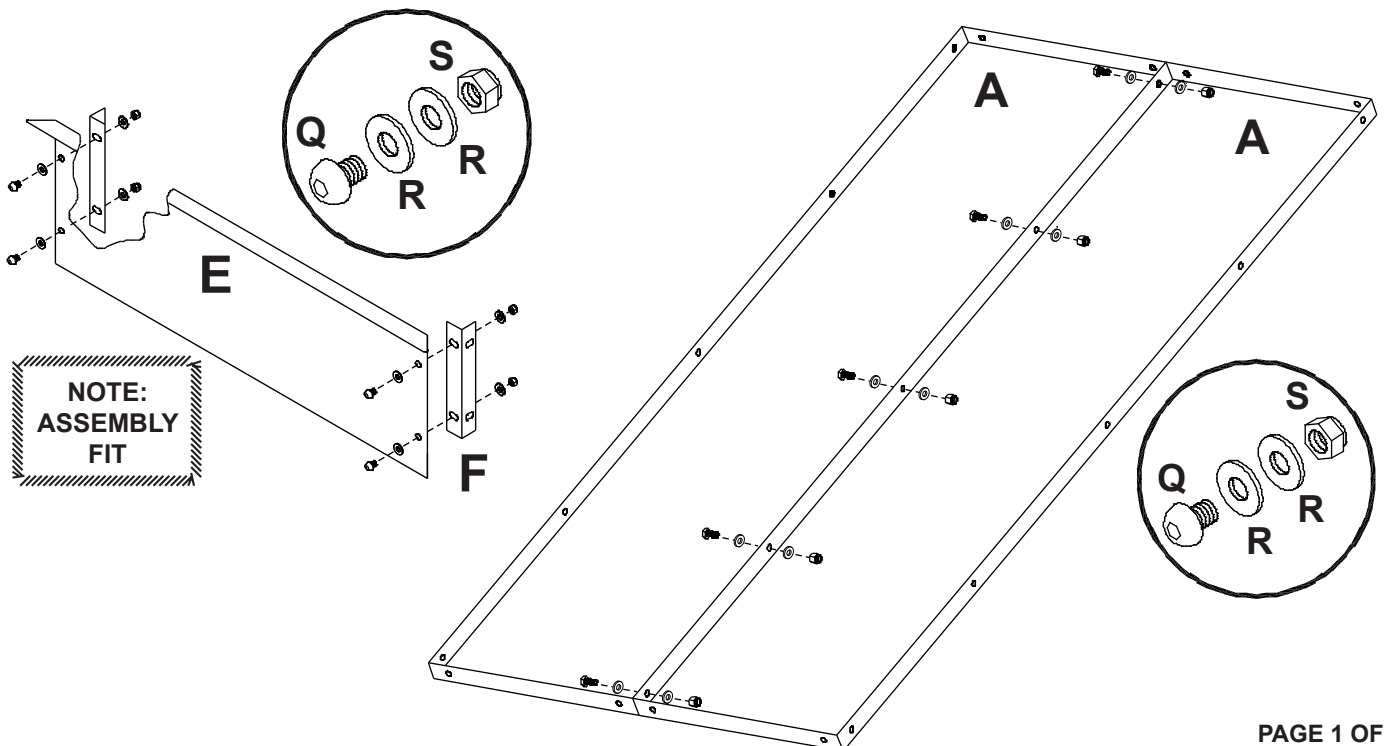
**PARTS LIST**

QTY.	DESCRIPTION
A 2	FLOOR PANEL
B 1	SHANK TUBE
C 2	CROSS STRAP
D 2	SIDE PANEL
E 2	END PANEL
F 4	L BRACKET
G 1	END CAP
H 1	5/8 SILENT HITCH PIN
J 1	5/8" LOCK WASHER
K 1	COTTER PIN
L 1	SPRING NUT
M 4	M8 x 25mm CARRIAGE BOLT
N 2	M8 x 70mm CARRIAGE BOLT
O 6	M8 WASHER
P 6	M8 NYLON NUT
Q 39	M6 x 16mm SOCKET HEAD BOLT
R 78	M6 WASHER
S 39	M6 NYLON NUT
T 2	REFLECTOR STRIPS
U 1	5/8 FLAT WASHER



**STEPS 1 & 2** TOOLS: 4mm ALLEN WRENCH, 10mm SOCKET WRENCH with EXTENSION.

Build end panel assembly as shown using four [Q, S] and 8 [R]. Repeat for a second end panel assembly.  
Build floor panel assembly as shown using five [Q, S] and 10 [R]. Fully tighten nuts and bolts (floor panel assembly only).



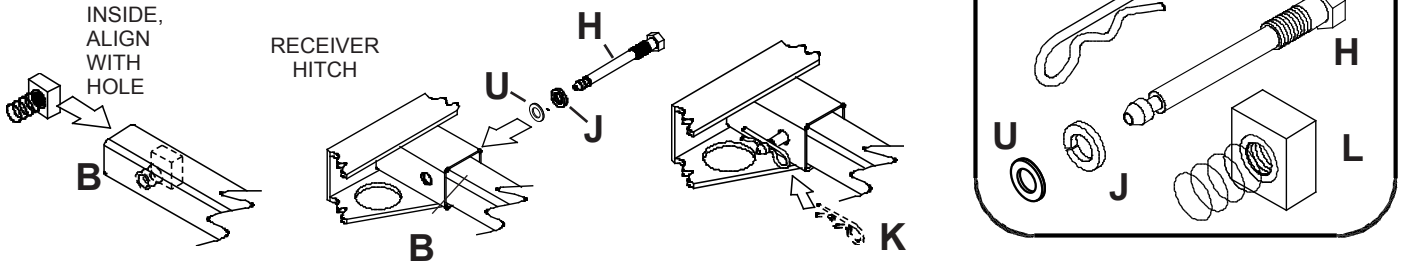
**NOTE:**  
ASSEMBLY  
FIT

**STEP 3** TOOLS: 7/8" SOCKET WRENCH

Attach the shank tube [B] to the receiver hitch of your vehicle as shown.

**IMPORTANT:** FOR SAFETY fully tighten Silent Hitch Pin [H].

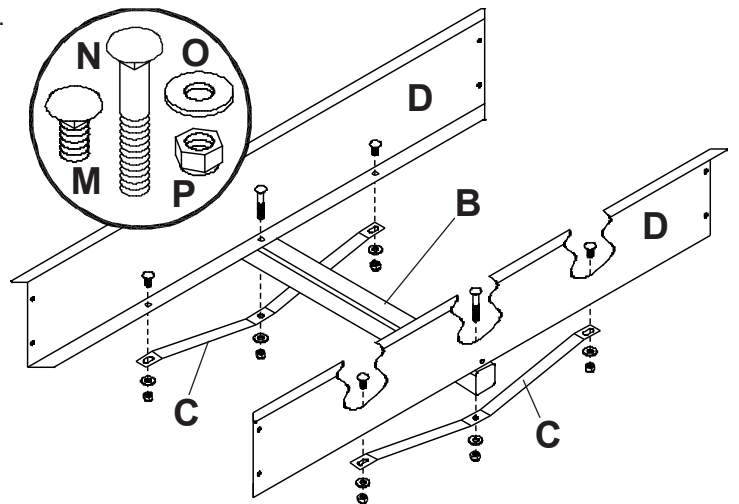
**IMPORTANT:** FOR SAFETY be sure to install cotter pin [K].



**STEP 4** TOOLS: 17mm WRENCH

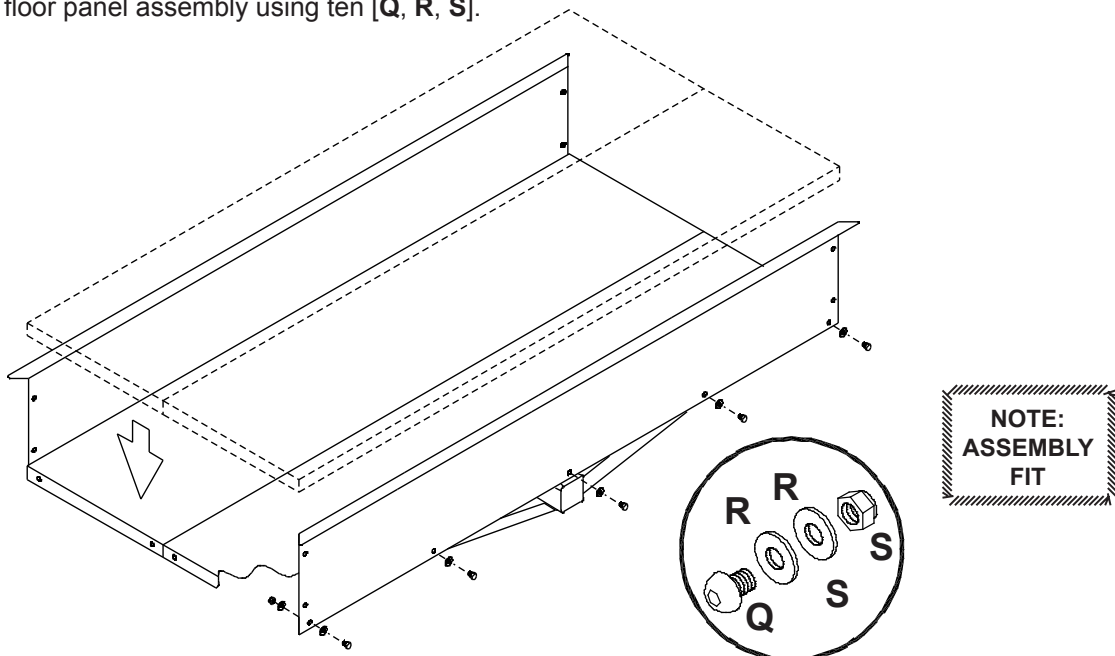
Attach two side panels [D] onto shank tube [B] as shown using two cross straps [C], two [N], four [M] and six [O, P].

**NOTE:**  
ASSEMBLY  
FIT



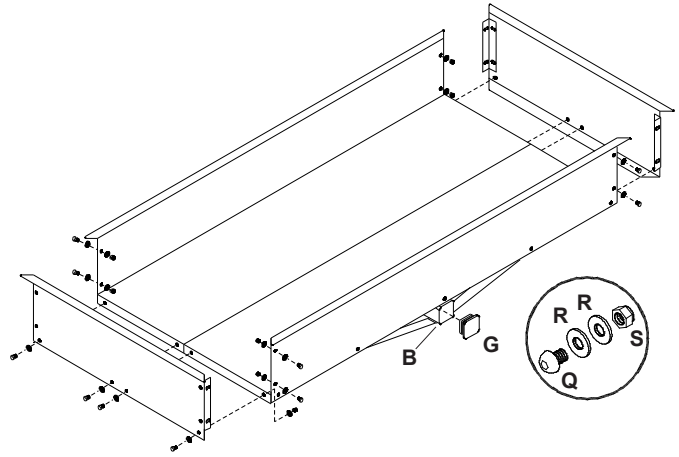
**STEP 5** TOOLS: 4mm ALLEN WRENCH, 10mm SOCKET WRENCH WITH EXTENSION.

Attach floor panel assembly using ten [Q, R, S].



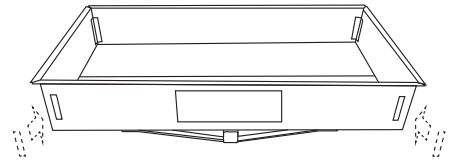
## STEP 6 TOOLS: 4mm ALLEN WRENCH, 10mm SOCKET WRENCH WITH EXTENSION.

Attach end panel assembly as shown using eight [Q, R, S]. Repeat for the second end panel assembly. By hand, insert end cap [G] into shank tube [B].



## IMPORTANT FINAL STEPS:

1. Now that all parts are “assembly fitted” into place tighten. All nuts and bolts securely.
2. Peel back and apply Red Reflector Strips [T] as shown.



### SAFE USE GUIDELINES:

The BigBoss™ Carrier weighs 65 lbs empty and has a maximum load weight of 300lbs of cargo. Always load cargo in center of the carrier be sure that it is secured from shifting before traveling. Do not exceed this carrying capacity. Do not exceed the vehicle and receiver hitch manufacturer's tongue weight rating.

Do not use this rack and accessories for purposes other than those for which they were designed. Failure to follow the guidelines of the product's instructions will void the warranty.

### ONE YEAR LIMITED WARRANTY

Let's Go Aero warrants this product to be free from defect in material and workmanship for one year (retain your sales receipt for your records). Any product or part thereof found to be defective within that period will be replaced without charge provided that: (1) the product was not misused; (2) no alterations or modifications were made; (3) its failure was not a result of normal wear expected in the use of the product; (4) the product or part is delivered, freight prepaid, to Let's Go Aero. Manufacturer's only obligation shall be to replace such products or parts proved to be defective. A Return Merchandise Authorization is required prior to return. Please contact Let's Go Aero toll-free, at 877-464-2376 or 719-630-3800, or via email to [support@letsgoaero.com](mailto:support@letsgoaero.com) to get an RMA number. This warranty terminates if a purchaser transfers the product to any other person. No warranty is given for LGA products purchased outside of the United States and Canada.

**To register your product, visit the Let's Go Aero website at [www.LetsGoAero.com](http://www.LetsGoAero.com)**

Register online at [www.LetsGoAero.com](http://www.LetsGoAero.com)

Phone: 877-464-2376 or 719-630-3800

Email: [Support@LetsGoAero.com](mailto:Support@LetsGoAero.com)

U.S. Patent No: 6,409,203; 6,609,725; 6,945,549; 8,079,613; Patents Pending

For More Information & Accessories,

Visit our Website - [www.LetsGoAero.com](http://www.LetsGoAero.com)

Contact Us at 877-474-2376 or 719-630-3800 | Email [Support@LetsGoAero.com](mailto:Support@LetsGoAero.com)

Copyright © 2017 Lets Go Aero Inc.