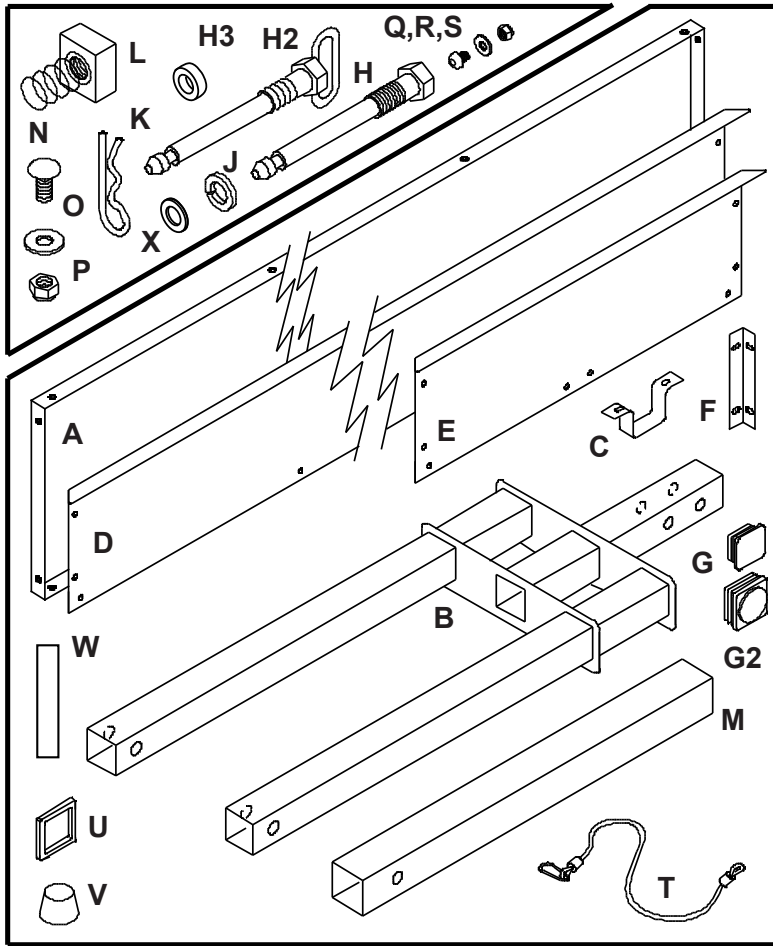


REQUIRED TOOLS: 10mm SOCKET WRENCH WITH EXTENSION, 4mm ALLEN WRENCH, 7/8" SOCKET WRENCH, 13mm WRENCH, NEEDLE NOSE PLIERS, PHILLIPS SCREWDRIVER, 7mm WRENCH



ASSEMBLY FIT

"Assembly fit" most parts when building this product. This means leaving nuts and bolts slightly loose to allow parts to easily fit together throughout assembly.

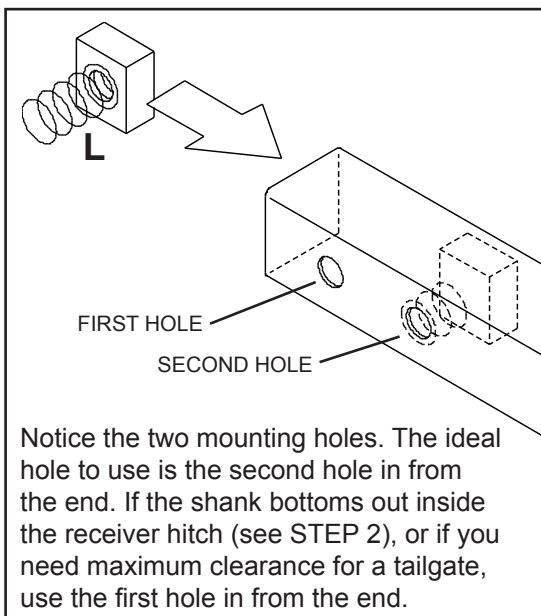
PARTS LIST

QTY.	DESCRIPTION
A 2	FLOOR PANEL
B 1	FLAT PIPE TWIN TUBE
C 4	HAT BRACKET
D 2	SIDE PANEL
E 2	END PANEL
F 4	L BRACKET
G 2	END CAP [FACTORY INSTALLED]
G2 2	END CAP WITH REFLECTOR
H 1	SILENT HITCH PIN
H2 1	HAND TIGHTEN SILENT HITCH PIN
H3 1	5/8 PLASTIC FLAT WASHER
J 1	5/8" LOCK WASHER
K 2	RETAINER CLIP
L 2	SPRING NUT
M 2	RECTANGULAR TUBE
N 8	M8 x 25mm CARRIAGE BOLT
O 8	M8 WASHER
P 8	M8 NYLON NUT
Q 39	M6 x 20mm SOCKET HEAD BOLT
R 78	M6 WASHER
S 39	M6 NYLON NUT
T 1	SAFETY CABLE
U 2	RUBBER BUMPER
V 1	WAX BLOCK
W 2	REFLECTOR STRIPS
X 1	5/8 FLAT WASHER

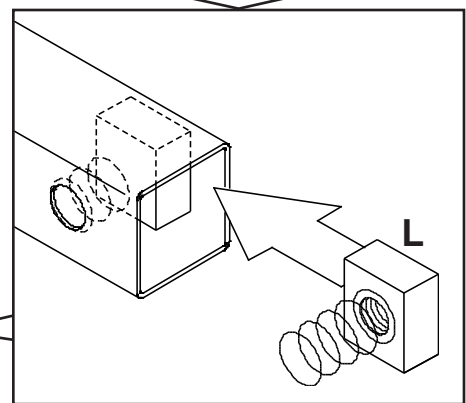
LIGHT KIT (SEE STEP 10)

STEP 1 TOOLS: NEEDLE NOSE PLIERS, SCREWDRIVER

Install two spring nuts [L] as shown.



TIP: You will install the Hand Tighten Silent Hitch Pin [H2] through this tube end on Step 6.



STEP 2 TOOLS: 7/8" SOCKET WRENCH

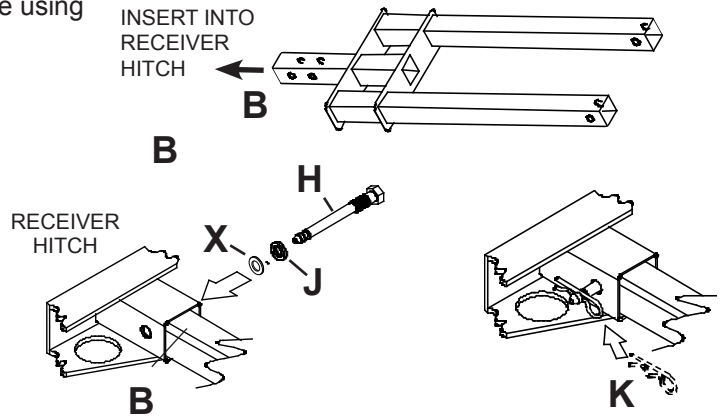
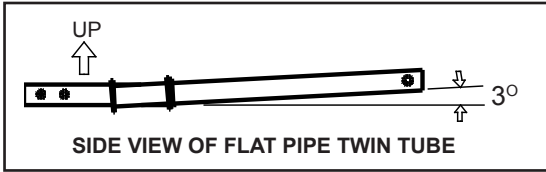
Attach the flat pipe [B] to the receiver hitch of your vehicle using [X,J,H]. Attach Retainer Clip [K] over Silent Hitch Pin [H].

FOR SAFETY AND EFFECTIVENESS:

Tighten Silent Hitch Pin to 30 ft. lbs. torque.

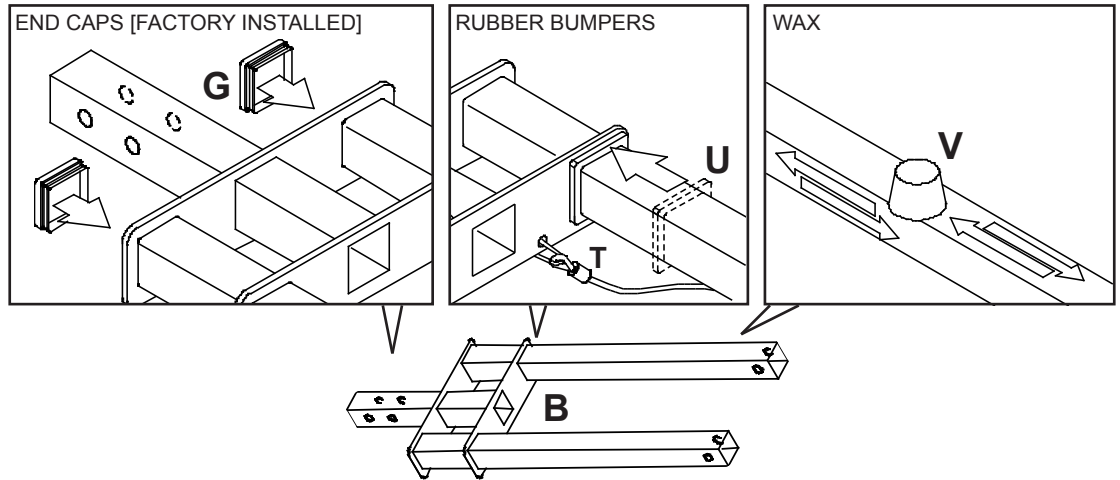
IMPORTANT:

FOR SAFETY be sure to install retainer clip.



STEP 3

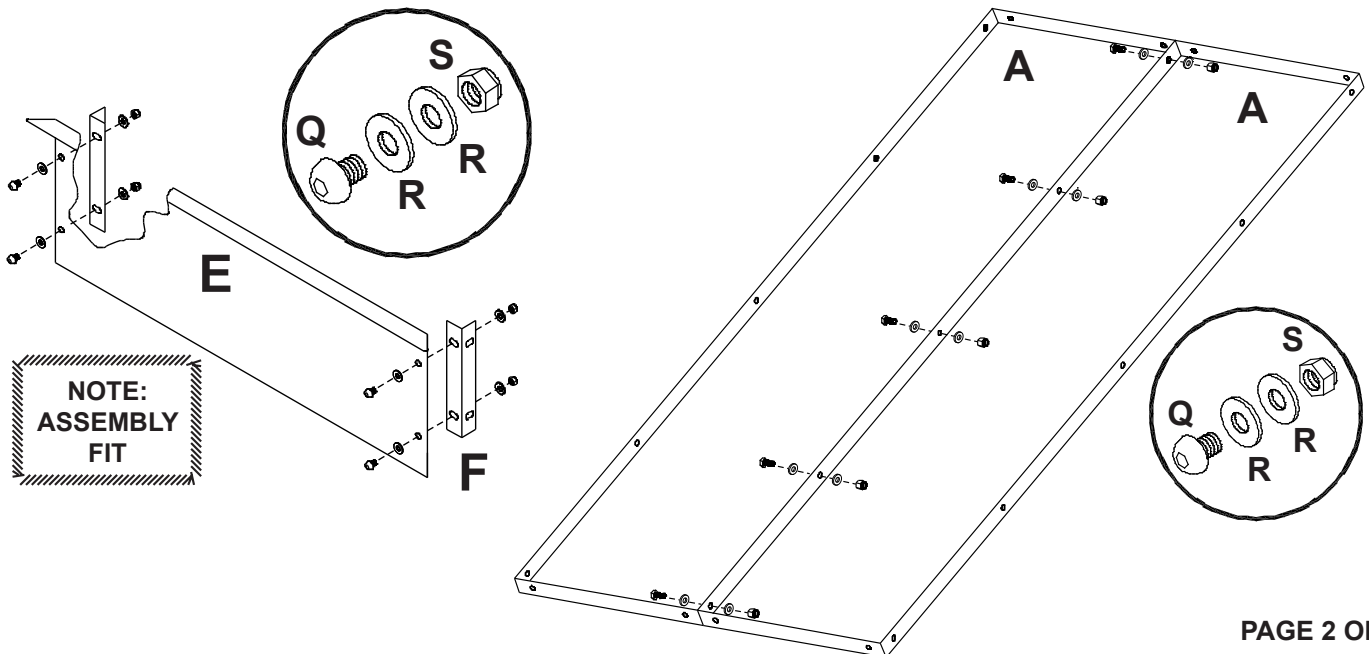
Install two rubber bumpers [U]. Engage clip end of safety cable [T] as shown. By rubbing, use the wax block [V] to apply wax to all four sides of all four tubes.



STEPS 4 & 5 TOOLS: 4mm ALLEN WRENCH, 10mm SOCKET WRENCH with EXTENSION.

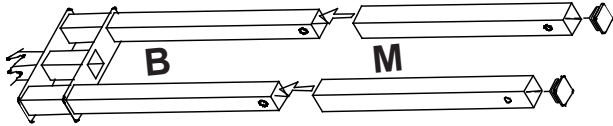
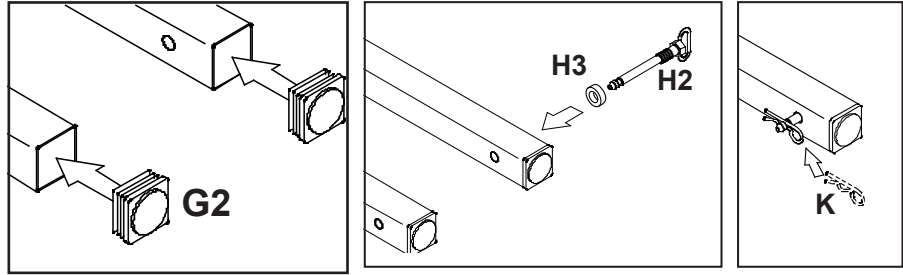
Build end panel assembly as shown using four [Q, S] and 8 [R]. Repeat for a second end panel assembly.

Build floor panel assembly as shown using five [Q, S] and 10 [R]. Fully tighten nuts and bolts (floor panel assembly only).



STEP 6

Slide the two rectangular tubes [M] on to the flat pipe [B]. **BY HAND** insert round reflector end caps [G2]. Insert and tighten one hand-tighten pin [H2] with washer [H3] through the tube and with the Spring Nut inserted from step 1, and attach retainer clip [K]. Note that one Hand-Tighten Pin is supplied for use in either tube at user discretion.



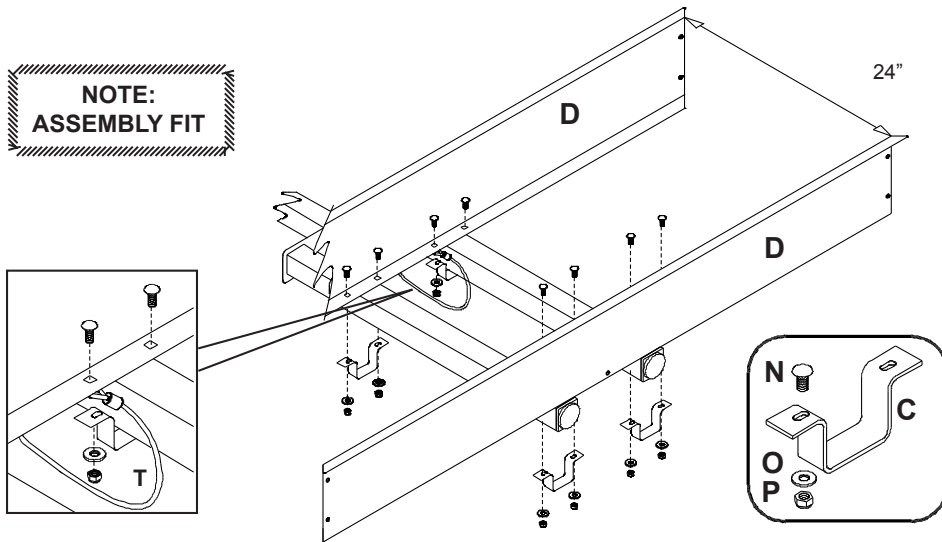
⚠ WARNING:

Never operate vehicle without the hand-tighten Silent Hitch Pin properly engaged to prevent carrier from sliding while in transit. Failure to do so may result in bodily injury and property damage.

STEP 7 TOOLS: 13mm WRENCH

Attach two side panels [D] as shown. Be sure to attach the loose end of the safety cable [T] as shown in the detail.

NOTE:
ASSEMBLY FIT



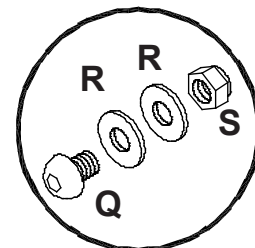
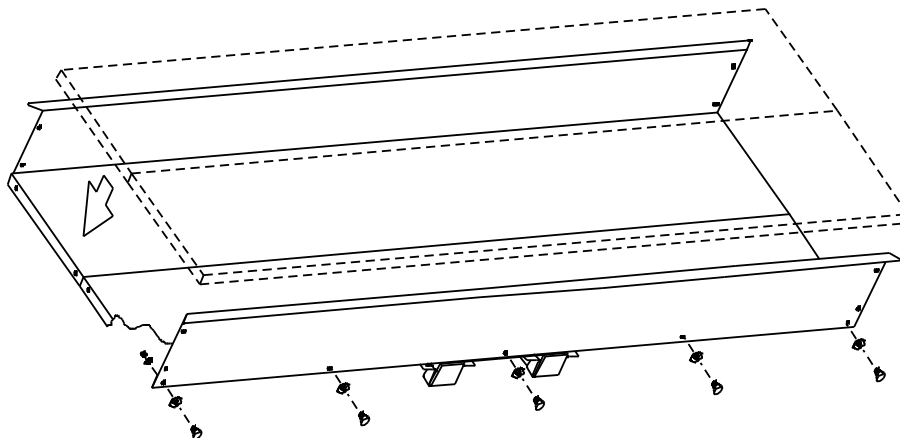
⚠ WARNING:

The Safety Cable prevents the BossHog rack from sliding off the Spine when telescoped. The rack may be slide out when parked for vehicle hatch access only. Never move the vehicle while the carrier is slid out. Failure to engage the Safety Cable may result in bodily injury and property damage.

STEP 8 TOOLS: 4mm ALLEN WRENCH, 10mm SOCKET WRENCH WITH EXTENSION.

Attach floor panel assembly using ten [Q, R, S].

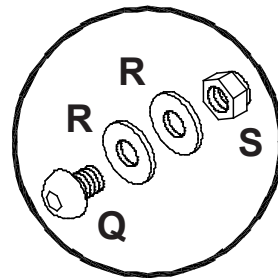
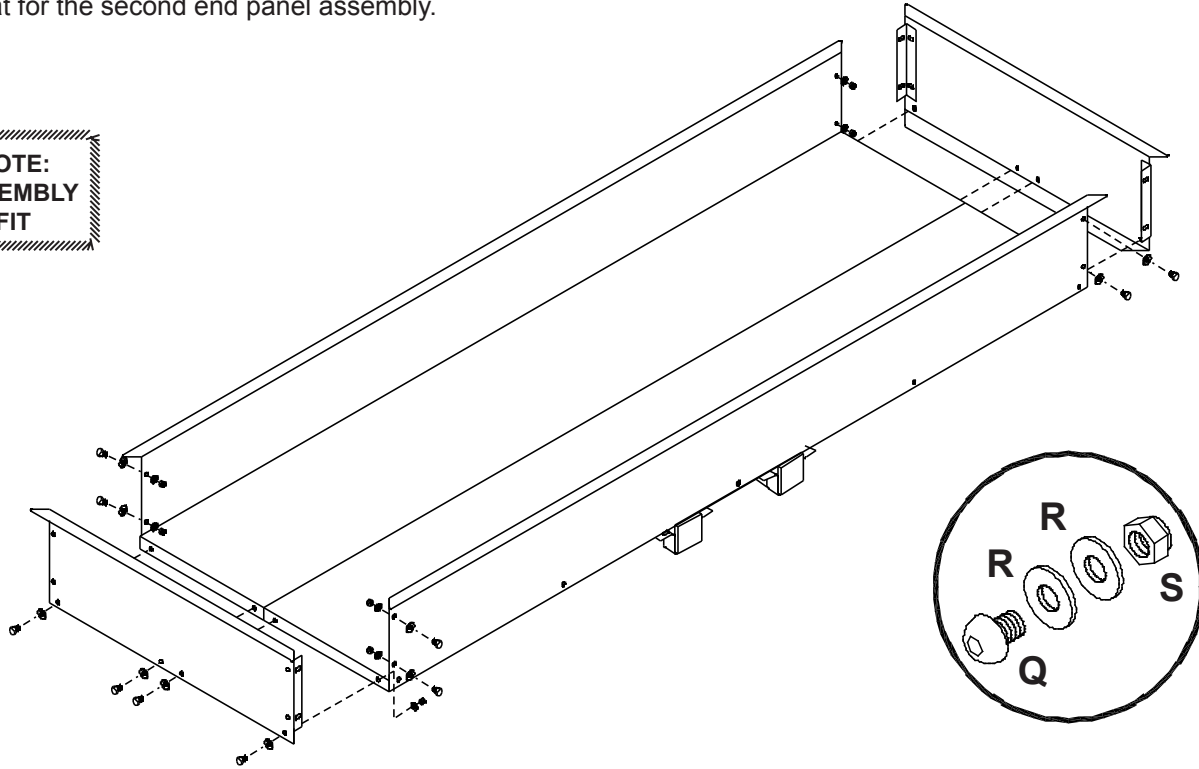
NOTE:
ASSEMBLY FIT



STEP 9 TOOLS: 4mm ALLEN WRENCH, 10mm SOCKET WRENCH WITH EXTENSION.

Attach end panel assembly as shown using eight [Q, R, S]. Repeat for the second end panel assembly.

NOTE:
ASSEMBLY
FIT



STEP 10 TOOLS: NEEDLE NOSE PLIERS, PHILLIPS SCREWDRIVER

Un-Bolt LED Light Hardware supplied on the LED Lights and then reattach onto the BossHog cargo rack. The LED Lights' Wire should pinch between the rack and the light. On one side of the rack (customer choice) also include License Plate Brackets as shown.

Use 6 mm Hex Bolts and 6 mm Nylon Nuts to install Customer Supplied License Plate (License Plate Not Included) onto License Plate Brackets as shown.

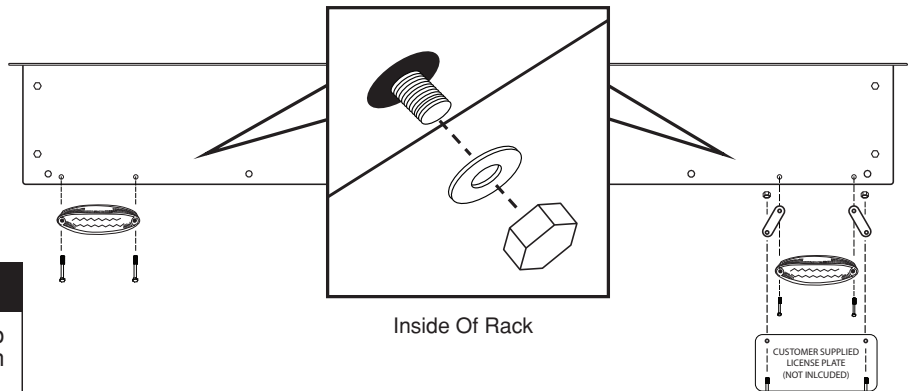
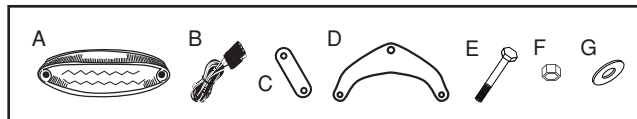
Connect LED Lighting to the wire harness with the yellow wire connected to the left (drivers side) and the Green Wire connected to the right (passenger side) of the vehicle.

Weave Wire Harness through the underside of the BossHog rack to prevent wire drag.

Connect Wire harness to Vehicle Trailer Light Connection on rear of Vehicle.

NOTE: LED Mount Bracket [D] and additional hardware are not required on the BossHog cargo carrier. Bracket is optional and included for use on additional Lets Go Aero products.

DESCRIPTION:	QTY
[A] LED Lights.....	2
[B] Wire Harness.....	1
[C] LED License Plate Adapter Brackets.....	2
[D] LED Mount Brackets.....	2
[E] 6 mm Hex Bolt.....	4
[F] 6 mm Nylon Nut.....	4
[G] Washers.....	4

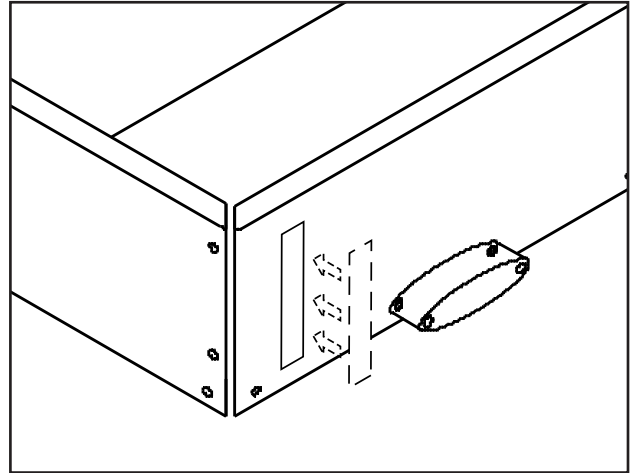


⚠ WARNING:

Failure to properly connect the Yellow Wire to the Drivers Side of the Vehicle and the Green Wire to the Passenger Side of the Vehicle will result in mismatched stop/turn lights and improper signaling.

IMPORTANT FINAL STEPS:

1. Now that all parts are “assembly fitted” into place tighten. All nuts and bolts securely.
2. Peel back and apply Red Reflector Strips [W] as shown.



SAFE USE GUIDELINES:

The BossHog™ Carriers total weight is 95 lbs empty. Separated, the Carrier weighs 74 lbs and the FlatPipe spine weighs 21 lbs for improved handling and storage. The maximum payload weight of the BossHog Carrier is 300lbs. Always load cargo in center of the carrier be sure that it is secured from shifting before traveling. Do not exceed this carrying capacity. Do not exceed the vehicle and receiver hitch manufacturer's tongue weight rating.

Do not use this rack and accessories for purposes other than those for which they were designed. Failure to follow the guidelines of the product's instructions will void the warranty.

ABOUT SLIDE OUT & CLEARANCE ADJUSTMENT OF CARRIER

To telescope the BossHog, remove the Hand Tighten Silent Hitch Pin® from the slide out pin hole. Verify that the Safety Cable is secured and then slide the frame to the rear. For added clearance, adjust the position of the Hat Brackets along the Frame's Female Slide Tubes. Be sure to adhere to NO USE AREA distance of 3.5 inches rearward from Spine's vertical plate along the frame tubes.

ONE YEAR LIMITED WARRANTY

Let's Go Aero warrants this product to be free from defect in material and workmanship for one year (retain your sales receipt for your records). Any product or part thereof found to be defective within that period will be replaced without charge provided that: (1) the product was not misused; (2) no alterations or modifications were made; (3) its failure was not a result of normal wear expected in the use of the product; (4) the product or part is delivered, freight prepaid, to Let's Go Aero. Manufacturer's only obligation shall be to replace such products or parts proved to be defective. A Return Merchandise Authorization is required prior to return. Please contact Let's Go Aero toll-free, at 877-464-2376 or 719-630-3800, or via email to support@letsgoaero.com to get an RMA number. This warranty terminates if a purchaser transfers the product to any other person. No warranty is given for LGA products purchased outside of the United States and Canada.

To register your product, visit the Let's Go Aero website at www.LetsGoAero.com

Register online at www.LetsGoAero.com

Phone: 877-464-2376 or 719-630-3800

Email: Support@LetsGoAero.com

U.S. Patent No: 6,409,203; 6,609,725; 6,945,549; 8,079,613; Patents Pending

For More Information & Accessories,

Visit our Website - www.LetsGoAero.com

Contact Us at 877-474-2376 or 719-630-3800 | Email Support@LetsGoAero.com

Copyright © 2017 Lets Go Aero Inc.