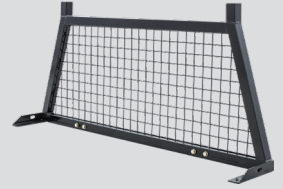




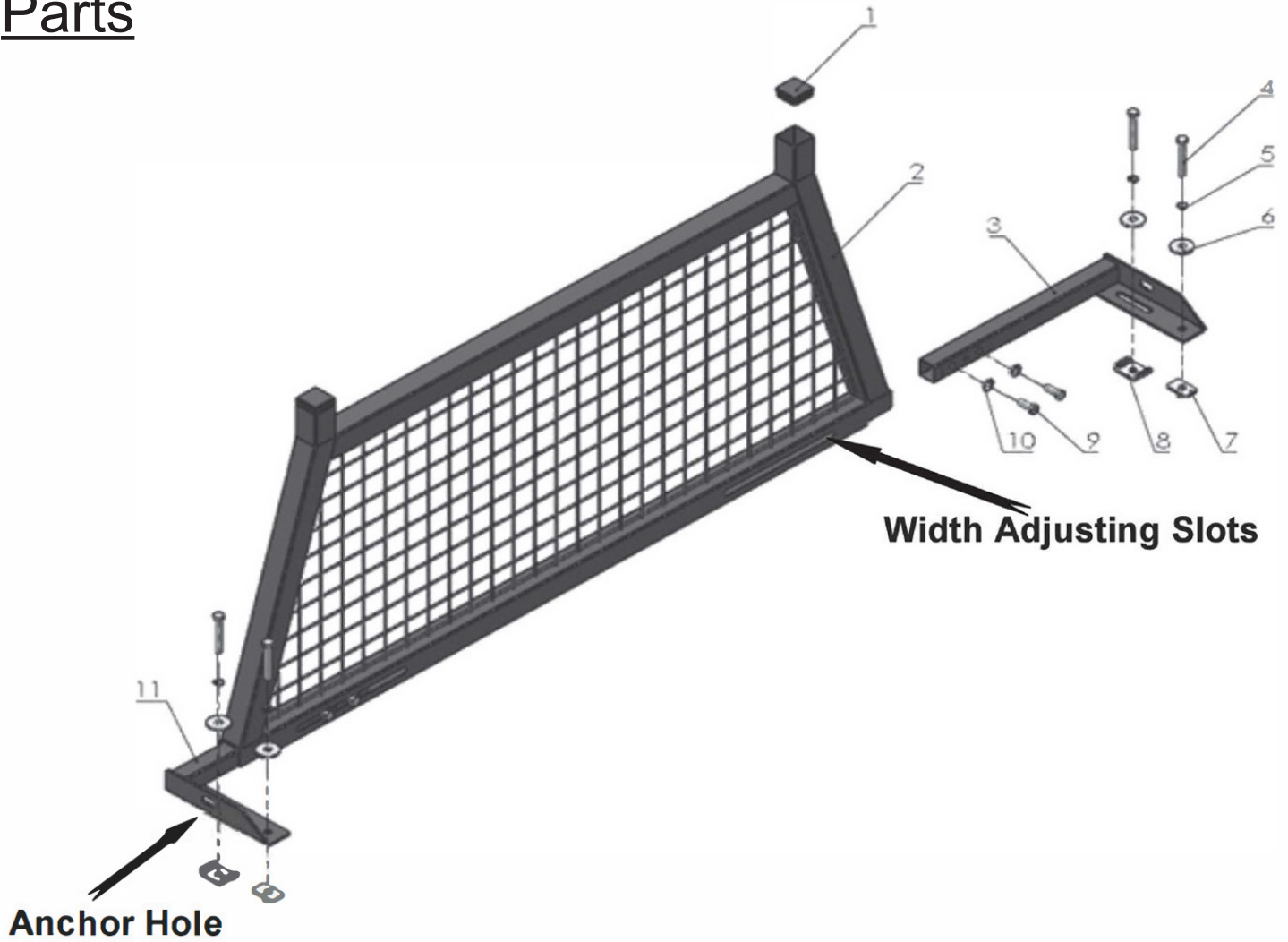
# Steel Headache Rack Instructions for Part # HA-RACK-V2



## General Guidelines

- It is the user's responsibility to read and follow all instructions.
- Keep these instructions with the product at all times and review before each use.
- It is the responsibility of this product's owner to furnish the instructions to any person that borrows or purchases the product.
- Inspect the product before use to ensure it is assembled properly and all parts are in safe working order and free of defects.
- Never modify this product in any way.
- All circumstances cannot be addressed in these instructions. Please use common sense and practice general safety measures when using this product.
- Parts and/or instructions are subject to change without notice.

# Parts



Part #	Description	Quantity
1	End Cap	2
2	Rack Frame	1
3	Right Side Bracket	1
4	M12x75 Flat Head Hex Bolt	4
5	M12 Lock Washer	4
6	M12 Large Flat Washer	4

Part #	Description	Quantity
7	Flat Clamp	2
8	U-Clamp	2
9	M12x30 Flat Hex Bolt	4
10	M12 Small Flat Washer	4
11	Left Side Bracket	1

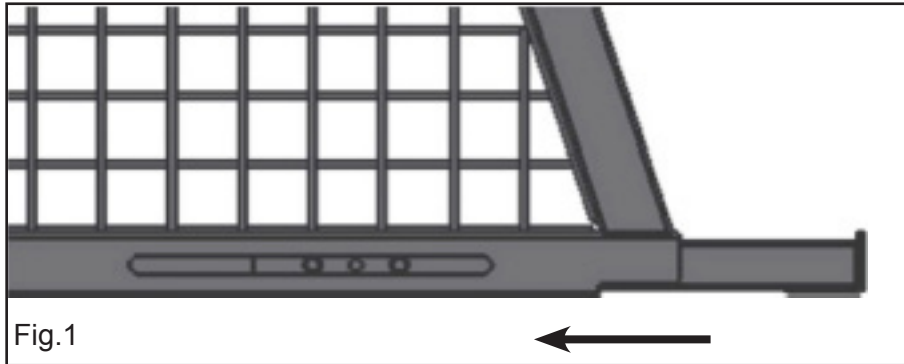
## Tools Required

- 19mm wrench
- Drill with 1/2" bit

# Assembly and Installation

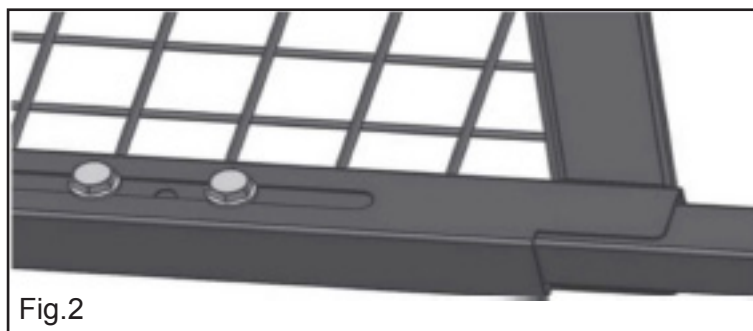
Steps 1 and 2 do not need to be performed with the headache rack on your truck. It's recommended to lay the rack on a tailgate, table etc. for easiest installation.

**Step 1.** Lay the headache rack (Part #2) down so the width-adjusting slots are facing up. Slide the mounting brackets (Part #3 and #11) into the rack frame so the mounting brackets are pointing up (Figure 1).



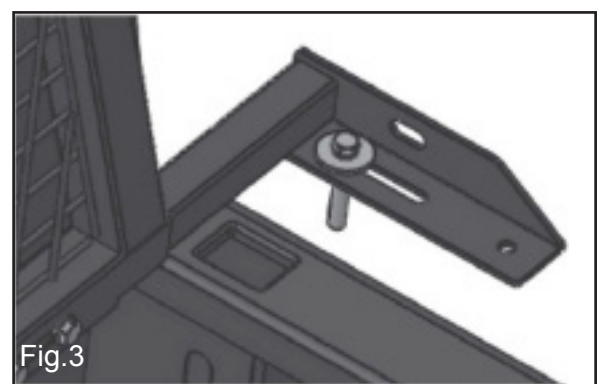
**Step 2.** Slide the M12 washers (Part #10) on the M12x30 flat hex bolts (Part #9) and install the bolts in the width-adjusting slots (Figure 2).

*Reminder:* Do not completely tighten. Just snug them up at this point so the mounting brackets can slide in and out. Required for next steps.

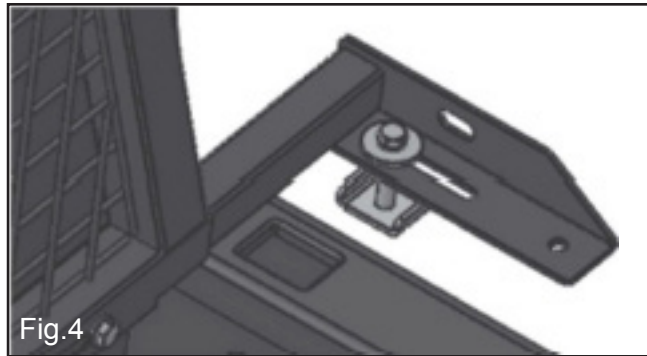


For the next steps, place the headache rack in position on the bed rail behind the rear window of the truck. For safety, it's recommended to have someone hold the rack while another person performs the following steps to secure the rack to vehicle.

**Step 3.** Make sure the width-adjusting slots are facing the truck box. Slide the mounting bracket out over the edge of the truck bed and insert the M12x75 flat hex bolt (Part #4) with M12 lock washer (Part #5) and M12 flat washer (Part #6) into the front hole of the mounting bracket (Part #3) (Figure 3).

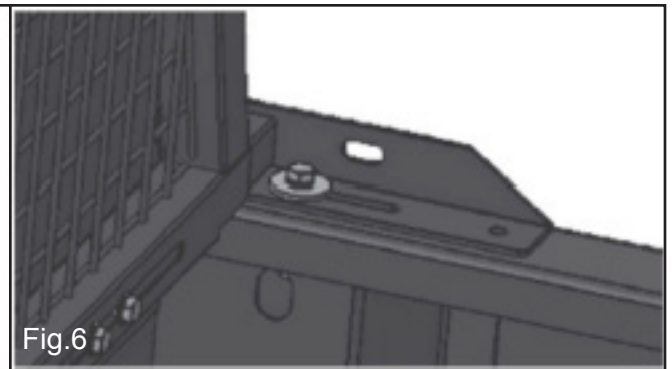
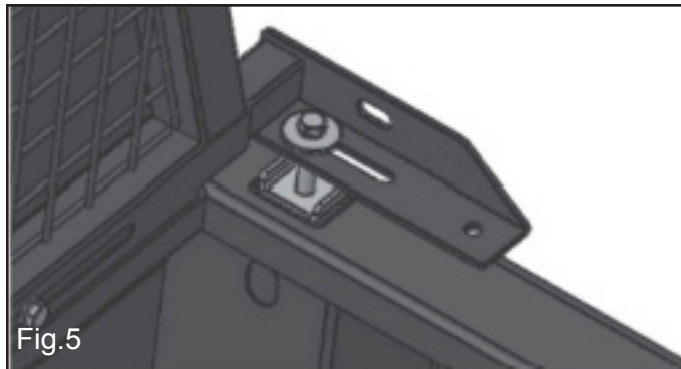


**Step 4.** Attach the U-Clamp (Part #8) to the flat hex bolt. Ensure the ends of the U-clamp are facing up (Figure 4).



**Step 5.** Drop the U-clamp into the stake pocket hole, then use your finger to turn the U-clamp crossways in the hole (Figures 5 & 6).

*Reminder:* Do not fully tighten. Snug tighten so the U-clamp doesn't turn; they will be fully tightened later.



**Step 6.** Repeat Steps 3 to 5 on the other side.

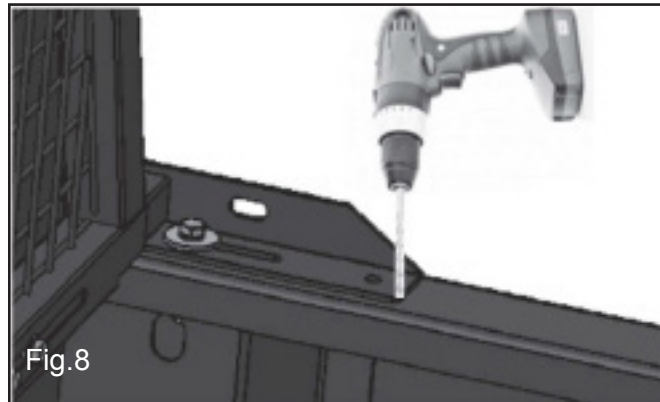
**Step 7.** Adjust the headache rack so it is centered with the same spacing on each side.

Tighten all bolts previously installed that were just snug. This includes the four bolts in the width adjustment slots (two on each side) and two bolts in the front of the mounting brackets (one on each side) (Figure 7).

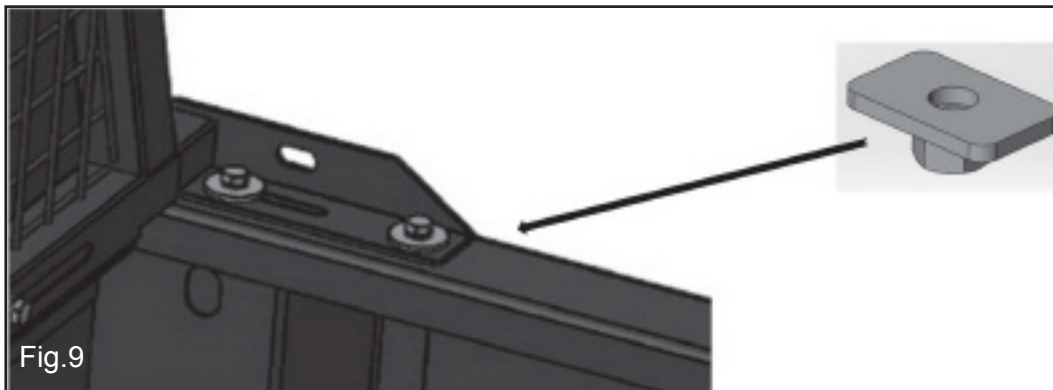


**IMPORTANT:** The next steps require drilling. Double check the headache rack is positioned correctly before proceeding.

**Step 8.** In the back hole of the mounting bracket, drill a 1/2" hole (Figure 8).



**Step 9.** Slide the M12 lock washer (Part #5) and M12 flat washer (Part #6) over the M12x75 flat hex bolt (Part #4) and drop into the back hole of the mounting bracket (Part# 3). Tighten by placing the flat bracket (Part #7) under the bed rail. (Figure 9).



**Step 10.** Repeat steps 8 and 9 on other side.

**Step 11.** Make sure all bolts are tightened securely.

# Product Warranty and Liability

**GENERAL PRODUCT WARRANTY:** Products purchased from the Authorized Dealer (original place of purchase) or Merchant (“Dealer”) will be free of defects in material and workmanship at the time of receipt, and will meet the specifications stated at the place of purchase transaction or online at the Dealer’s website, under normal use and service when correctly installed, operated and maintained. This product warranty is effective for the period of time stated below, unless otherwise stated in the product instructions or depicted in the product advertisement. **All Authorized Dealer warranties are NON-TRANSFERABLE** and cover only the original end purchaser. This limited warranty does not cover products purchased through non-authorized dealers. Non-authorized dealer receipts are not accepted for warranty verification.

**\*\*\*Warranty claims must be made directly to the original place of purchase.\*\*\***

**WARRANTY PERIOD:** This warranty remains in force for one year from the date of the product’s accepted delivery. The Authorized Dealer offers a one year manufacturer’s warranty for most products unless otherwise specified on the product advertisement.

**WARRANTY SERVICE:** The Authorized Dealer will replace any defective or malfunctioning part at no charge, including payment of the shipping costs of parts or replacement product to and from the manufacturer. The purchaser is responsible for labor charges. If the product does not meet specifications as depicted in the advertisement, the Authorized Dealer will refund the full purchase price of the product.

Questions regarding the warranty on a specific product and warranty claims should be directed to the Authorized Dealer with whom the purchase transaction was made.

**WARRANTY LIMITATIONS:** The above warranty does not apply to products that are repaired, modified or altered by any party other than the Authorized Dealer; are subjected to unusual physical stress or conditions (such as overloaded ramps or corrosion), natural disaster, governmental actions, wars, strikes, labor disputes, riots, theft, vandalism, terrorism or any reason beyond reasonable control; are damaged due to improper installation, misuse, abuse, accident or negligence in use, storage, transportation or handling, or tampering; or to products that are considered consumable items or items requiring repair or replacement due to normal wear and tear.

Product should be inspected prior to signing for delivery. Product damage incurred during shipping, unless noted on the Bill of Lading at the time of delivery, renders this warranty void.

**LIMITED LIABILITY:** In no event shall THE AUTHORIZED DEALER be liable to the purchaser or any third party for any indirect, incidental, consequential, special, exemplary or punitive damages arising out of the use of the product, including, without limitation, property damage, loss of value of the product or any third party products that are used in or with the product, or loss of use of the product or any third party products that are used in or with the product.

