



Lawn Mower Lift Instructions for Part # HML-05



General Guidelines ⚠

- It is the user's responsibility to read and follow all instructions.
- Keep these instructions with the product at all times and review before each use.
- It is the responsibility of this product's owner to furnish the instructions to any person that borrows or purchases the product.
- Inspect the product before use to ensure it is assembled properly and all parts are in safe working order and free of defects.
- Never modify this product in any way.
- All circumstances cannot be addressed in these instructions. Please use common sense and practice general safety measures when using this product.
- Parts and/or instructions are subject to change without notice.

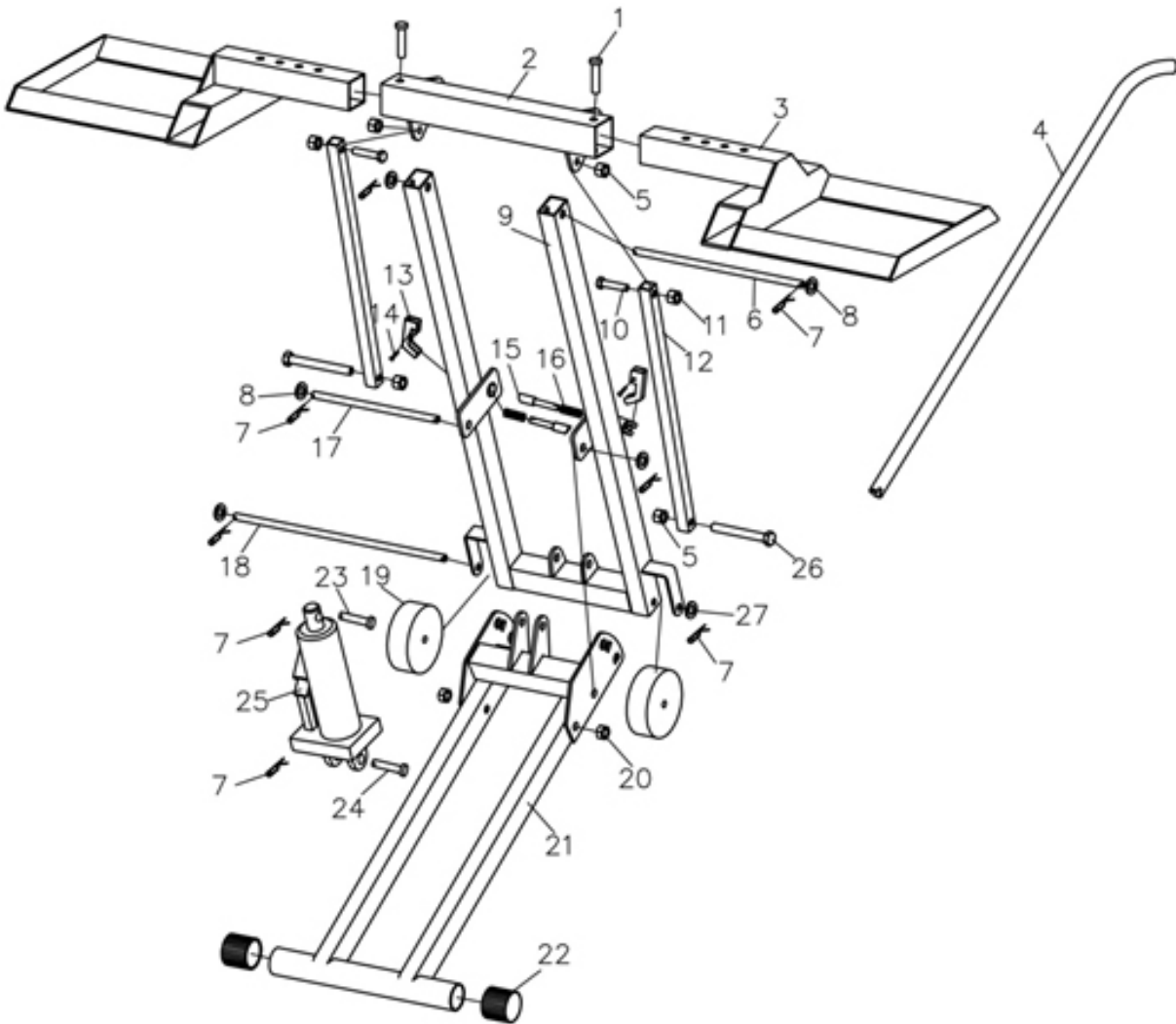
Safety ⚠

- Do not exceed the rated weight capacity of 500 lbs.
- Always ensure the mower wheels fit properly into the wheel cradles before lifting.
- Secure the mower with tie down straps (sold separately) before lifting.
- Always lock the brake pullers before working on the mower.
- Store the lift in a safe, dry place.

Specifications

Maximum Capacity:	500 lbs.
Lift Range:	0-24 in.
Maximum Tire Width:	10.5 in.
Fit Tire Diameter:	10-17 in.
Inner Wheel Tread:	18.5-26 in.
Outer Wheel Tread:	40-47.6 in.

Diagram & Parts List



NO.	Description	QTY.
1	Cradle Lock Pin M10x55	2
2	Top Frame	1
3	Cradle	2
4	Handle	1
5	Lock Nut M10	4
6	Top Axle	1
7	R-Pin 1.5mm	8
8	M12 Washer	4
9	Lift Arm	1
10	Hex Bolt M10x50	2
11	Hex Nut M10	2
12	Side Rod	2
13	Brake Puller	2
14	Rivet M4x18	2

NO.	Description	QTY.
15	Brake Pin	2
16	Spring	2
17	Medium Axle	1
18	Bottom Axle	1
19	Caster	2
20	Hex Nut M10 Small	2
21	Bottom Frame	1
22	Front Cap	2
23	Cylinder Pin M12x40	1
24	Jack Base Pin M12x60	1
25	Hydraulic Jack	1
26	Hex Bolt M10x80	2
27	M10 Washer	2

Assembly

This item will be mostly assembled out of the box.

1. Pull out the lift and place it on solid flat ground. Insert the bottom axle (18) into the lift as the diagram shows (may already be installed). Add the two casters (19) on both sides of the axle and lock in place with washers (27) and R-pins (7).
2. Install the cradles (3) into the top frame (2) on both sides. Adjust the position (width) of both cradles and lock the position with the lock pins (1). Make sure the cradles fit under the mower's wheels perfectly. **DO NOT** allow the wheel to sit outside the cradle edge; it may cause the mower to fall during lifting and cause damage and personal injury.

Bleeding the Hydraulic Jack

IMPORTANT! Before first use, check for proper hydraulic fluid level in the hydraulic jack (25). Then thoroughly test the lift for proper operation prior to its actual use. If the lift appears not to be working properly, it may be necessary to bleed its hydraulic system of excess air.

1. Remove the fluid fill plug on the side of the bottle jack.
2. With weight on the lift, turn the pump handle (4) counterclockwise to release the valve.
3. While holding the weight and pump in the released position, quickly pump the handle (4) up and down several times to purge air from the system.
4. Check the fluid fill hole and, if necessary, top off the jack's fluid reservoir with high grade hydraulic fluid (sold separately).
5. Replace the fluid fill plug.
6. Test the lift several times for proper operation before attempting to lift a load.

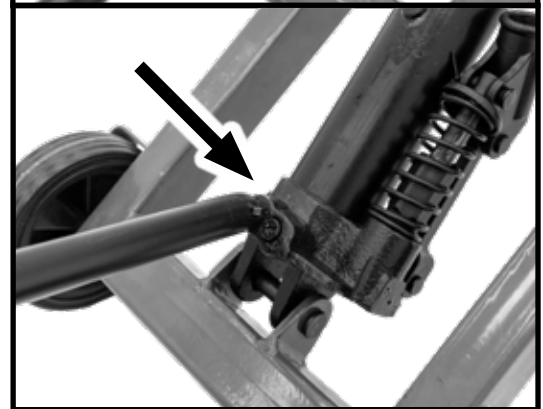
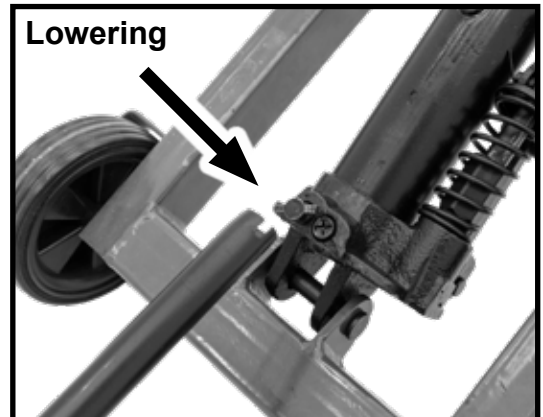
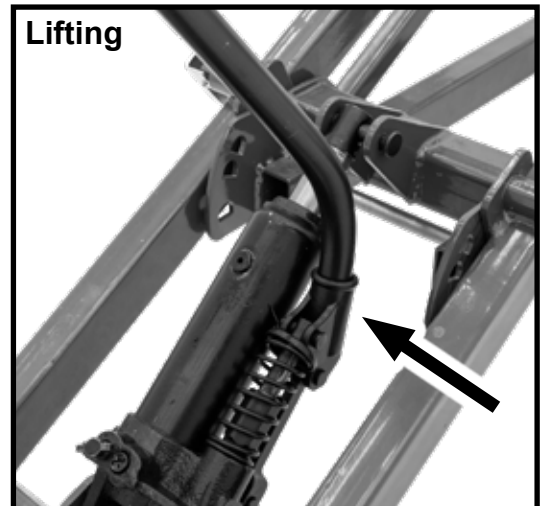
If, after purging, the lift still does not appear to be working properly, do not use the lift until it has been repaired by a qualified service technician.

Adding Hydraulic Fluid

1. Remove the fluid fill plug on the side of the bottle jack.
2. Add high grade hydraulic fluid (sold separately) into the fluid fill hole slowly until the fluid just begins to run out of the hole.
3. Replace the fluid fill plug.

Lifting

1. Pull out (unlock) the brake puller (13) of the safety device on both sides of the lift.
2. Lower the lift by releasing the wing nut on the jack with the notched end of the handle (4); put some weight on the cradles if needed. Once lowered, tighten the wing nut again.
3. Align the mower's front wheels with both cradles. Slowly move the mower on to the cradles. Once positioned under the load, push back the brake puller (13) on both sides of the lift. (You may need to chock the wheels on the back side of the casters to keep the lift sturdy while riding on the mower).
4. Use tie-down straps (sold separately) to secure the load. Fit the curved end of the handle (4) into the handle tube on the jack. Pump the handle (4) slowly to raise the lift. When the lift makes contact with the load, make sure the load sits evenly on the cradles (3) before raising the load. If the load is not evenly distributed on the two cradles (3) or not secured in place with tie-down straps, it may fall from the lift, resulting in personal injury and property damage.
5. Continue to raise the lift to the desired height. Lock the lift at one of the three locking positions on the brake puller (13). Not engaging the brake puller (13) may result in serious injury or death, and damage the lift. (See mower owner's manual for recommended lifting points.)



Lowering

1. Carefully remove all tools, parts, etc. from under the lift.
2. Fit the curved end of the handle (4) into the handle tube on the jack. Pump the handle (4) slowly to raise the lift enough to disengage the brake puller (13).
3. Slowly release the wing nut on the jack with the notched end of the handle (4) to slowly and gently to lower the load. Never allow the load to come down quickly or suddenly.
4. Once the load is on the ground, remove the tie-down straps.
5. Clean external surfaces of the lift with a clean, dry cloth. Store lift in a dry, indoor area out of the reach of children.

Product Warranty and Liability

GENERAL PRODUCT WARRANTY: Products purchased from the Authorized Dealer (original place of purchase) or Merchant (“Dealer”) will be free of defects in material and workmanship at the time of receipt, and will meet the specifications stated at the place of purchase transaction or online at the Dealer’s website, under normal use and service when correctly installed, operated and maintained. This product warranty is effective for the period of time stated below, unless otherwise stated in the product instructions or depicted in the product advertisement. **All Authorized Dealer warranties are NON-TRANSFERABLE** and cover only the original end purchaser. This limited warranty does not cover products purchased through non-authorized dealers. Non-authorized dealer receipts are not accepted for warranty verification.

*****Warranty claims must be made directly to the original place of purchase.*****

WARRANTY PERIOD: This warranty remains in force for one year from the date of the product’s accepted delivery. The Authorized Dealer offers a one year manufacturer’s warranty for most products unless otherwise specified on the product advertisement.

WARRANTY SERVICE: The Authorized Dealer will replace any defective or malfunctioning part at no charge, including payment of the shipping costs of parts or replacement product to and from the manufacturer. The purchaser is responsible for labor charges. If the product does not meet specifications as depicted in the advertisement, the Authorized Dealer will refund the full purchase price of the product.

Questions regarding the warranty on a specific product and warranty claims should be directed to the Authorized Dealer with whom the purchase transaction was made.

WARRANTY LIMITATIONS: The above warranty does not apply to products that are repaired, modified or altered by any party other than the Authorized Dealer; are subjected to unusual physical stress or conditions (such as overloaded ramps or corrosion), natural disaster, governmental actions, wars, strikes, labor disputes, riots, theft, vandalism, terrorism or any reason beyond reasonable control; are damaged due to improper installation, misuse, abuse, accident or negligence in use, storage, transportation or handling, or tampering; or to products that are considered consumable items or items requiring repair or replacement due to normal wear and tear.

Product should be inspected prior to signing for delivery. Product damage incurred during shipping, unless noted on the Bill of Lading at the time of delivery, renders this warranty void.

LIMITED LIABILITY: In no event shall THE AUTHORIZED DEALER be liable to the purchaser or any third party for any indirect, incidental, consequential, special, exemplary or punitive damages arising out of the use of the product, including, without limitation, property damage, loss of value of the product or any third party products that are used in or with the product, or loss of use of the product or any third party products that are used in or with the product.

