

Harbor Mate Pier System

Instructions for Part #s HMP-STR, HMP-PLAT, HMP-L, HMP-T

GENERAL GUIDELINES & SAFETY

- It is the user’s responsibility to read and follow all instructions.
- Keep these instructions with the product at all times and review before each use.
- It is the responsibility of this product’s owner to furnish the instructions to any person that borrows or purchases the product.
- Inspect the product before use to ensure it is assembled properly and all parts are in safe working order and free of defects.
- Never modify this product in any way.
- All circumstances cannot be addressed in these instructions.
- Please use common sense and practice general safety measures when using this product.
- Parts and/or instructions are subject to change without notice.
- Periodically ensure all hardware is tight.
- Weight capacity of each 8’ section is 2,000 lbs.

TOOLS

Included

Allen Wrench



Not Included

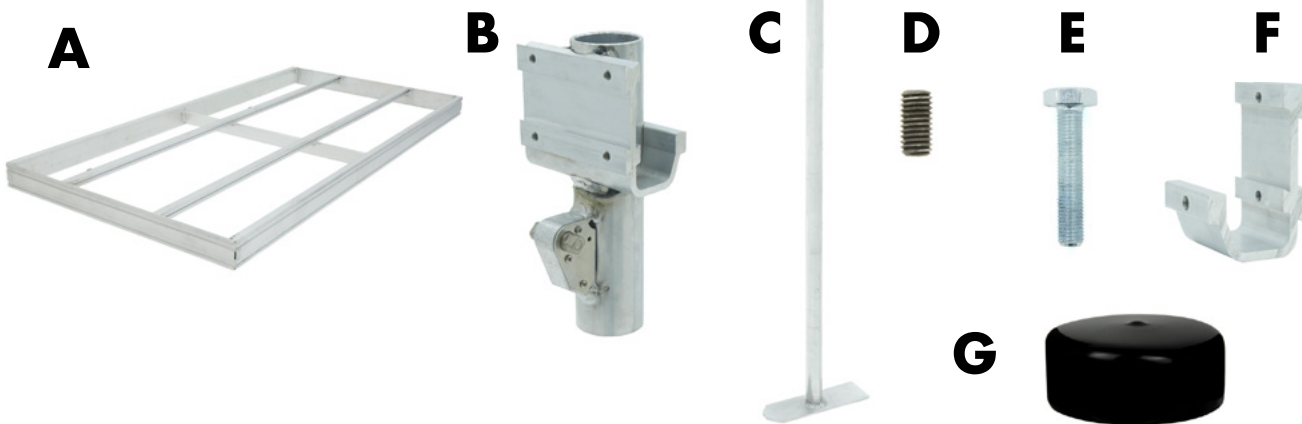
Level

1/2” or 13mm box wrench

3/4” box wrench

PARTS

Part	Description	Qty.
A	Frame (8’x 4’)	1
B	Leg Brackets	2
C	Legs (7.5’)	2
D	Set Screws	12
E	Bolts	2
F	J-Hooks	2
G	Rubber End Caps	2



DOCK FRAME ASSEMBLY

Step 1: Prepare Leg Brackets and Insert Legs

Install four set screws (D) into each leg bracket (B). Do not tighten the screws too far, as this will prevent the leg bracket from sliding horizontally onto the dock frame during installation.

Insert a leg (C) into each leg bracket by following the "To Lower" instructions below until the leg bracket is at the desired height. FIG 1.



FIG 1.

To Lower: Release the internal lock on each leg bracket by using an adjustable, 13mm or 1/2" wrench to rotate the knob in the direction indicated by the arrow. This allows you to insert the leg into the leg bracket and allows you to lower the height of the dock frame once assembled.

FIG 2.

To Raise: No tools required, simply step on the leg and move the leg bracket up vertically. The bracket lock will automatically reengage at the desired height.

CAUTION: If lowering the height once dock frame is assembled, proceed with care. As soon as the internal lock is released, the dock section will fall. When the knob pressure is released, the spring-loaded lock will re-engage.



FIG 2.

Step 2: Attach Legs to Dock Frame

Starting at a corner, slide leg bracket (with leg inserted) onto the side of the dock frame until it rests at the desired location. Repeat on opposite side with the second leg. FIG 3.

Use a level to ensure the pier system is flat. Once the leg brackets are in place, tighten the set screws with the included T-handle Allen wrench.

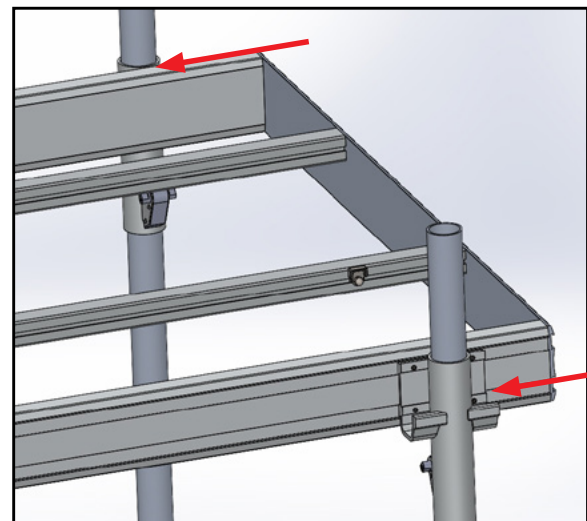


FIG 3.

Step 3: Prepare and Attach J-hooks to Dock

Screw in two set screws (D) and a bolt (E) into the two J-hooks (F). Do not tighten the screws too far, as this will prevent the J-hook from sliding horizontally onto the dock frame during installation. FIG 4.

Slide J-hooks onto frame section where you'd like to attach the next frame section. FIG 5.

Once the J-hooks are in place, tighten the set screws with the included T-handle Allen wrench.

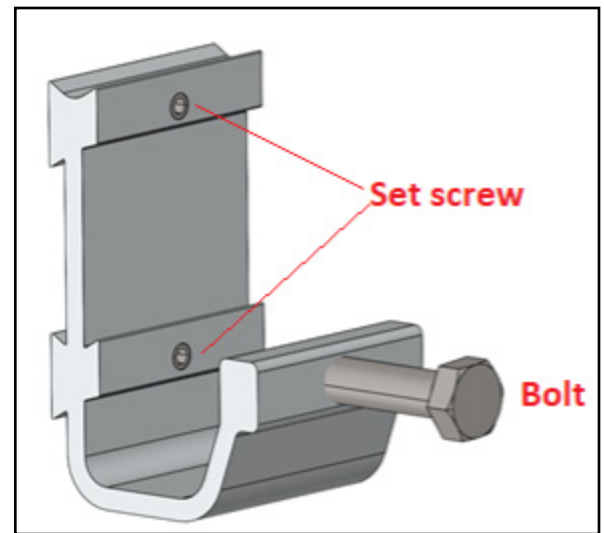


FIG 4.

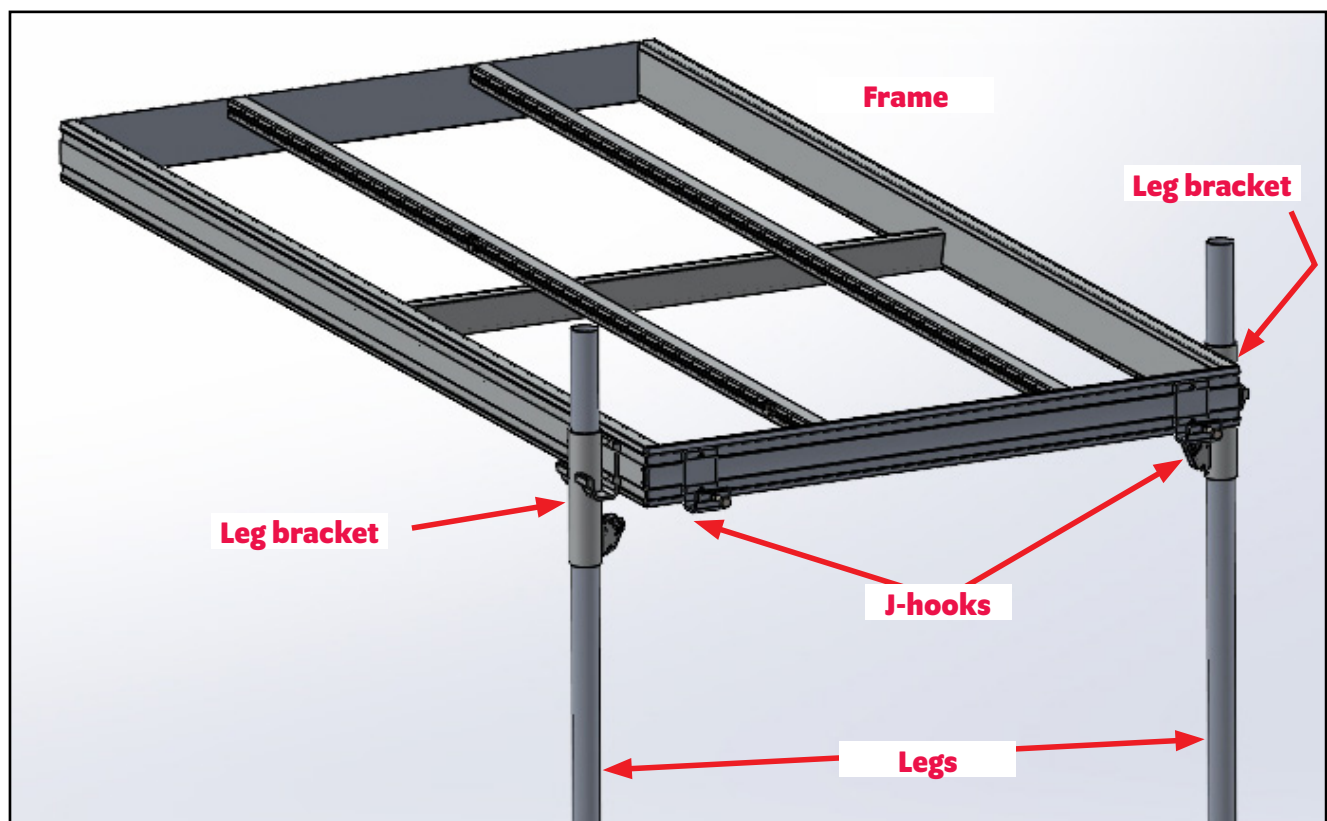


FIG 5.

Step 4: Adding Decking

Each frame section requires two 4' x 4' decking panels.

Insert decking onto frame top, aligning notches on the underside of the decking to the frame.

ADDING DEEP-WATER BRACES (OPTIONAL)

Use for pier stability in water depths greater than 5'

1. Remove the wing nut, washer and spring from the end of the bracket. Open the bracket and close it around the leg, securing it closed with bolt, washer, spring and wing nut. Do not over-tighten the wingnuts as this will prevent the lower braces from sliding down the legs and into the water. FIG. 6.
2. Push lower brace ends into the water, keeping the brace as vertical as possible. When the pole is mostly vertical, it will open the bracket to allow for height adjustment. When the pole is mostly horizontal the brace will lock around the leg, preventing movement.
3. Position the upper brace ends so that they meet the legs above the water line. If needed, raise the lower brace ends with the adjustment springs until the right height and position is achieved.
4. Attach upper brace ends to the legs. On the upper end of one side of the brace, remove the wingnut and washer and attach the upper brace end to the leg. Replace the washer and wingnut and tighten it to the upper brace end by hand as tightly as possible. Repeat on the other side. Once installed, the deep-water braces will look like FIG. 7.

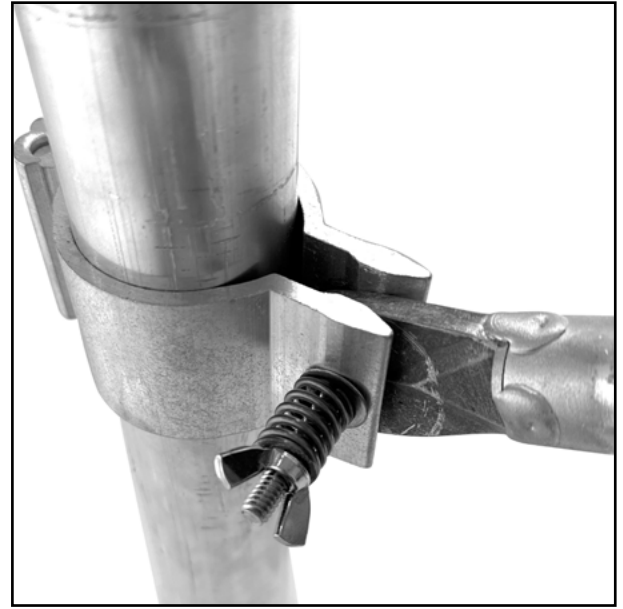


FIG 6.



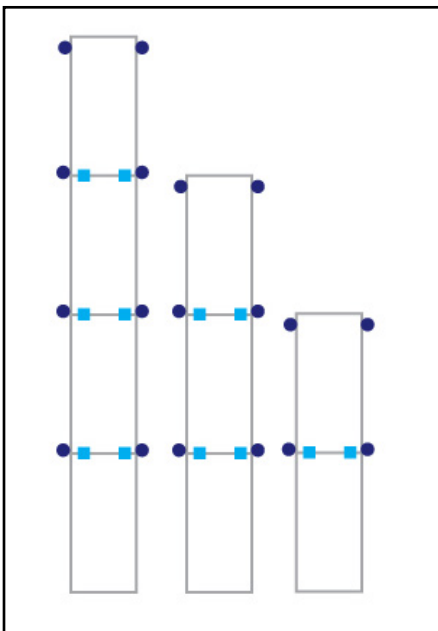
FIG 7.

INSTALLING ADDITIONAL DOCK SECTIONS OR CREATING PLATFORMS

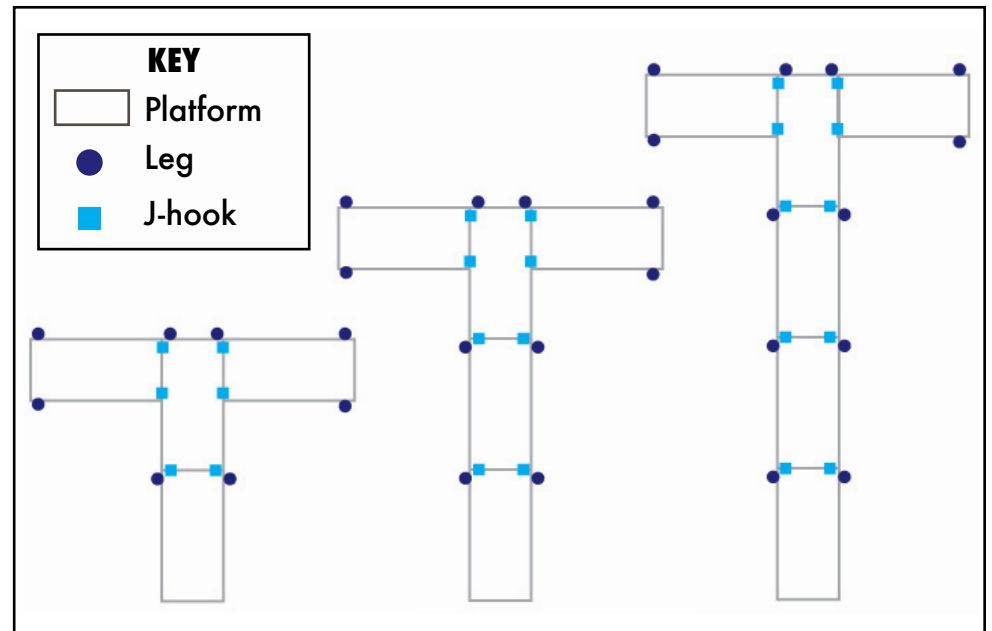
The Harbor Mate Pier System is modular and can be configured in many ways to suit your needs. Frames may be added to any side of a frame to create T-shape, L-shape, and platform configurations. To add frames, repeat steps 1-3, using the J-hooks of the previous dock section to support the additional dock section. Once the additional dock section is in place, tighten each J-hook bolt with a 3/4" box wrench.

NOTE: Each set of legs will have progressively less height protruding as the dock is constructed and extends out into the lake. After assembly is complete, you have the option to cut the excess leg with the tool of your choice to create a more finished look. Rubber leg caps (G) are provided to cover the leg tops. Use sand paper or a file to ensure the outside rim of the leg is not sharp. Failure to do so may cause damage to the leg caps.

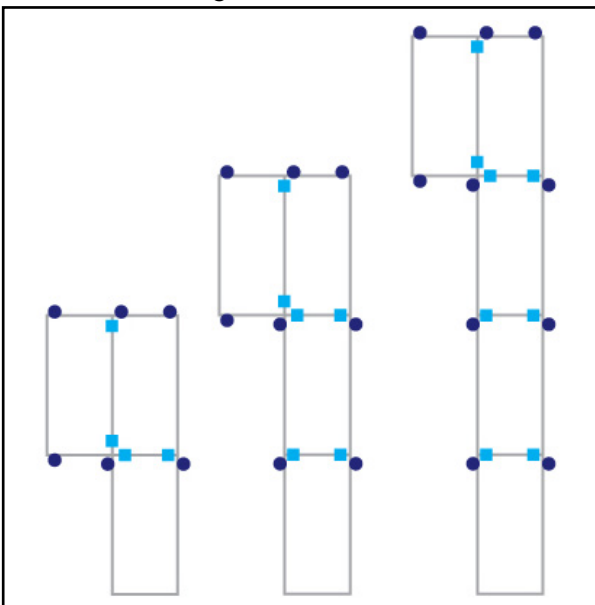
Straight Config.



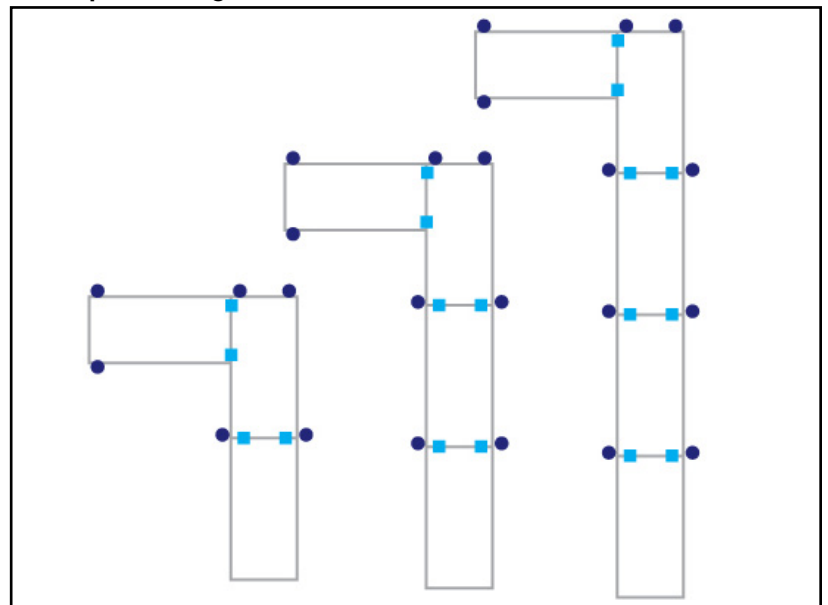
T-Shape Config.



Platform Config.



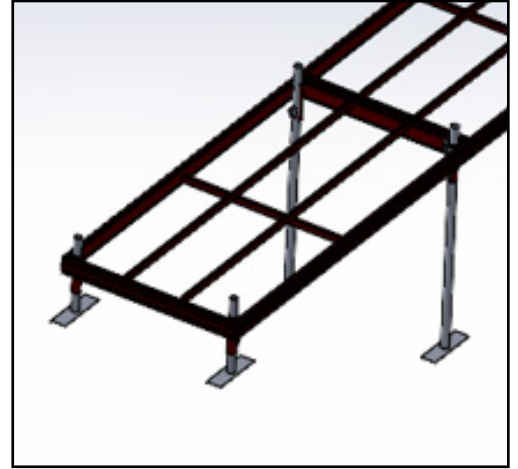
L-Shape Config.



OPTIONAL ACCESSORIES

Short Leg Starter (# HMP-SLS):

Pair of short legs accommodates steep shorelines to create a better starting dock angle.



Shore Mount Bracket (# HMP-SM): Start your dock from a vertical surface such as a concrete pad, wooden deck, etc. Includes bracket only. Requires drilling holes and supplying mounting hardware (lag bolts for wood or concrete anchors/bolts). Attaches with the J-hooks included in the dock section.



Deep Water Brace (# HMP-DEEP-WATER-4):

Stabilizes legs in water over 5' deep. Deep water braces can be installed in the water. In some cases, you may be able to attach them outside the water.

The deep water brace is designed so that once the brace is placed at an angle, the brace applies pressure to the attachment bracket and secures it in place. Refer to page 4 for installation instructions.



PRODUCT WARRANTY & LIABILITY

GENERAL PRODUCT WARRANTY: Products purchased from the Authorized Dealer (original place of purchase) or Merchant ("Dealer") will be free of defects in material and workmanship at the time of receipt, and will meet the specifications stated at the place of purchase transaction or online at the Dealer's website, under normal use and service when correctly installed, operated and maintained. This product warranty is effective for the period of time stated below, unless otherwise stated in the product instructions or depicted in the product advertisement. All Authorized Dealer warranties are NON-TRANSFERABLE and cover only the original end purchaser. This limited warranty does not cover products purchased through non-authorized dealers. Non-authorized dealer receipts are not accepted for warranty verification.

*****WARRANTY CLAIMS MUST BE MADE DIRECTLY TO THE ORIGINAL PLACE OF PURCHASE.*****

WARRANTY PERIOD: This warranty remains in force for one year from the date of the product's accepted delivery. The Authorized Dealer offers a one year manufacturer's warranty for most products unless otherwise specified on the product advertisement.

WARRANTY SERVICE: The Authorized Dealer will replace any defective or malfunctioning part at no charge, including payment of the shipping costs of parts or replacement product to and from the manufacturer. The purchaser is responsible for labor charges. If the product does not meet specifications as depicted in the advertisement, the Authorized Dealer will refund the full purchase price of the product.

Questions regarding the warranty on a specific product and warranty claims should be directed to the Authorized Dealer with whom the purchase transaction was made.

WARRANTY LIMITATIONS: The above warranty does not apply to products that are repaired, modified or altered by any party other than the Authorized Dealer; are subjected to unusual physical stress or conditions (such as overloaded ramps or corrosion), natural disaster, governmental actions, wars, strikes, labor disputes, riots, theft, vandalism, terrorism or any reason beyond reasonable control; are damaged due to improper installation, misuse, abuse, accident or negligence in use, storage, transportation or handling, or tampering; or to products that are considered consumable items or items requiring repair or replacement due to normal wear and tear.

Product should be inspected prior to signing for delivery. Product damage incurred during shipping, unless noted on the Bill of Lading at the time of delivery, renders this warranty void.

LIMITED LIABILITY: In no event shall **THE AUTHORIZED DEALER** be liable to the purchaser or any third party for any indirect, incidental, consequential, special, exemplary or punitive damages arising out of the use of the product, including, without limitation, property damage, loss of value of the product or any third party products that are used in or with the product, or loss of use of the product or any third party products that are used in or with the product.

