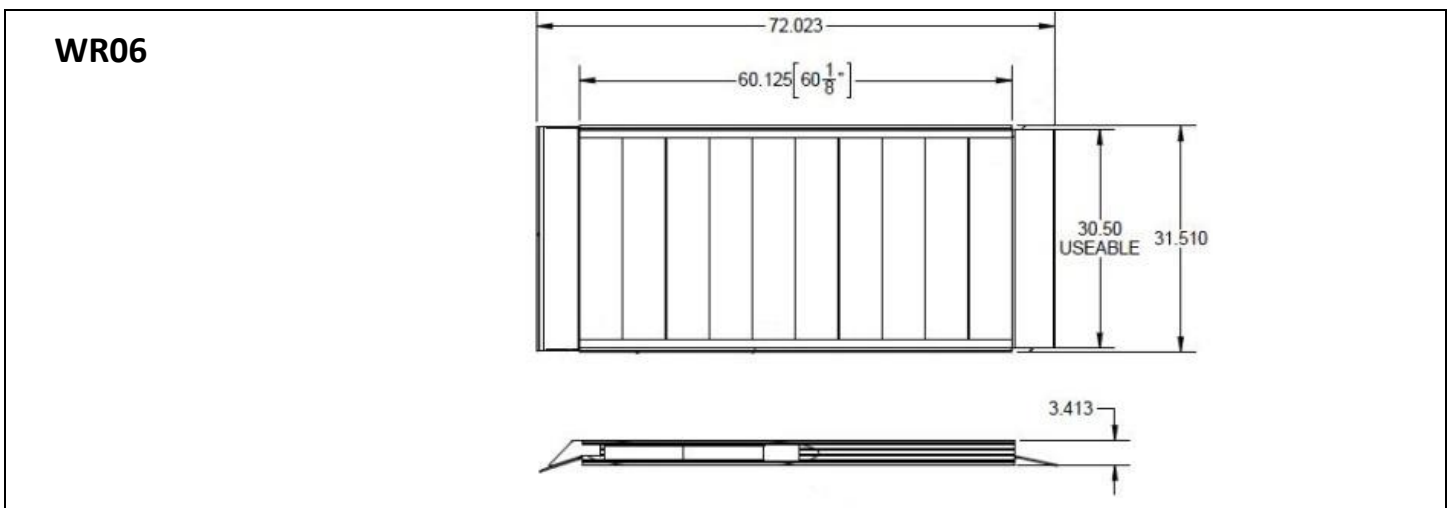
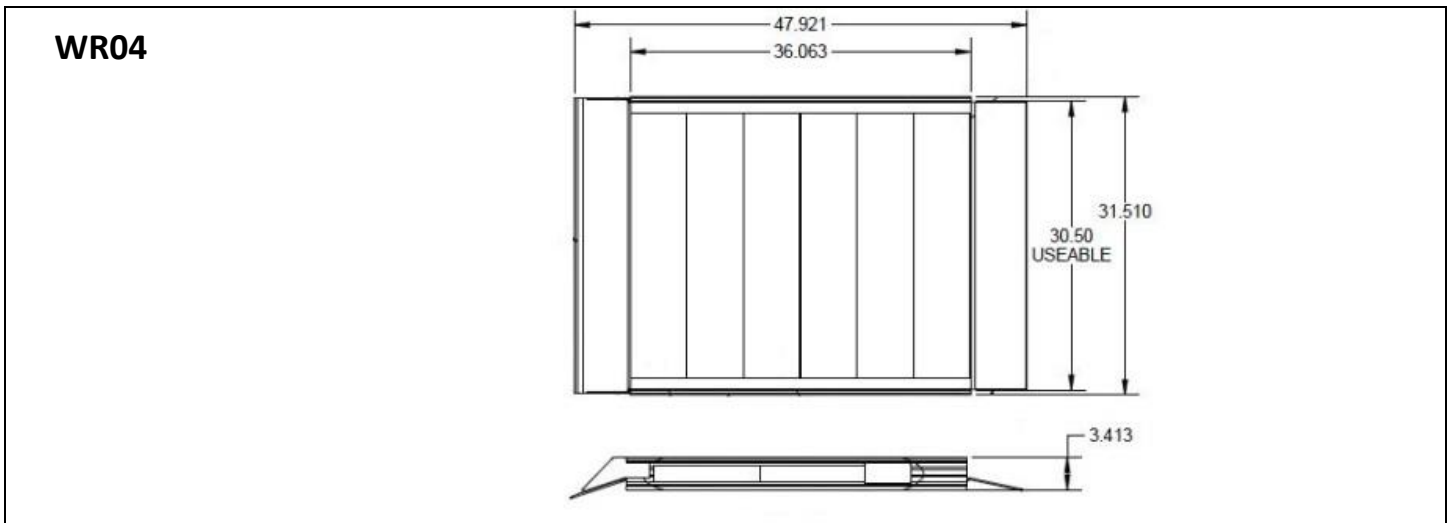




# TRAVERSE™ Walk Ramp Technical Specifications

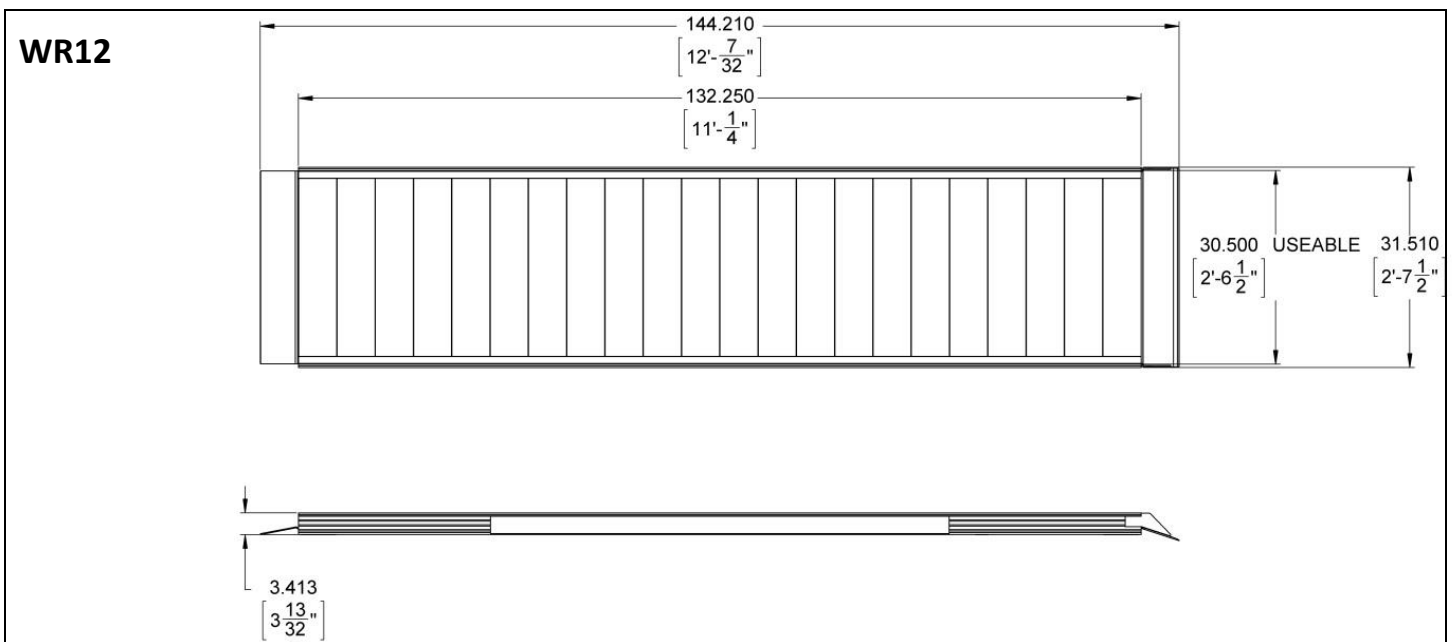
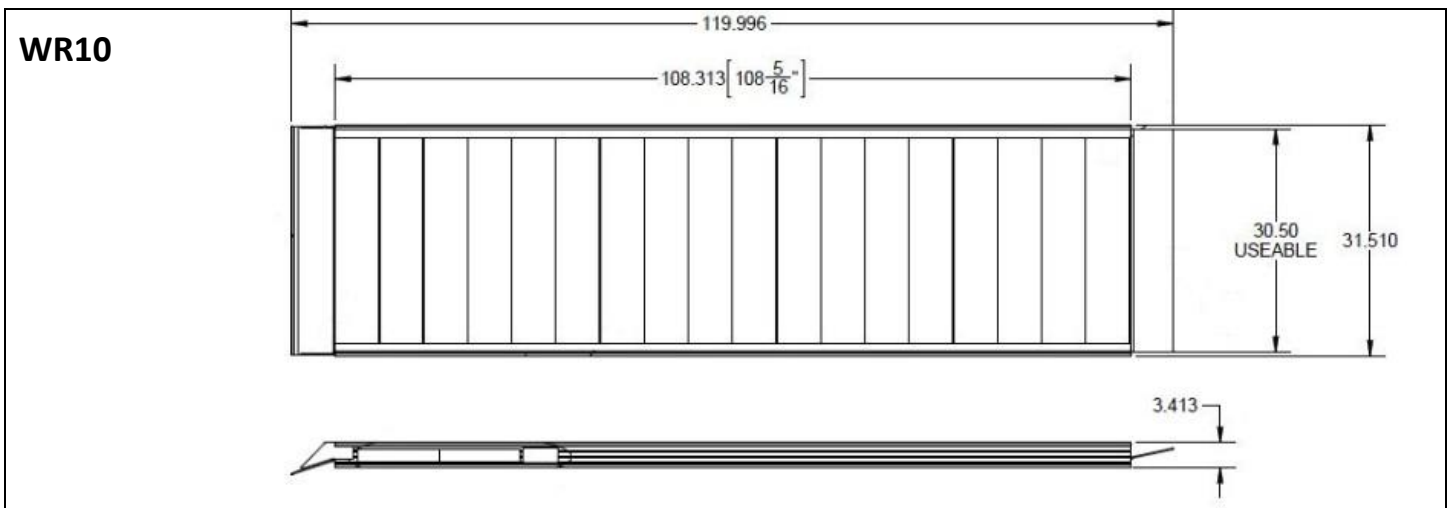
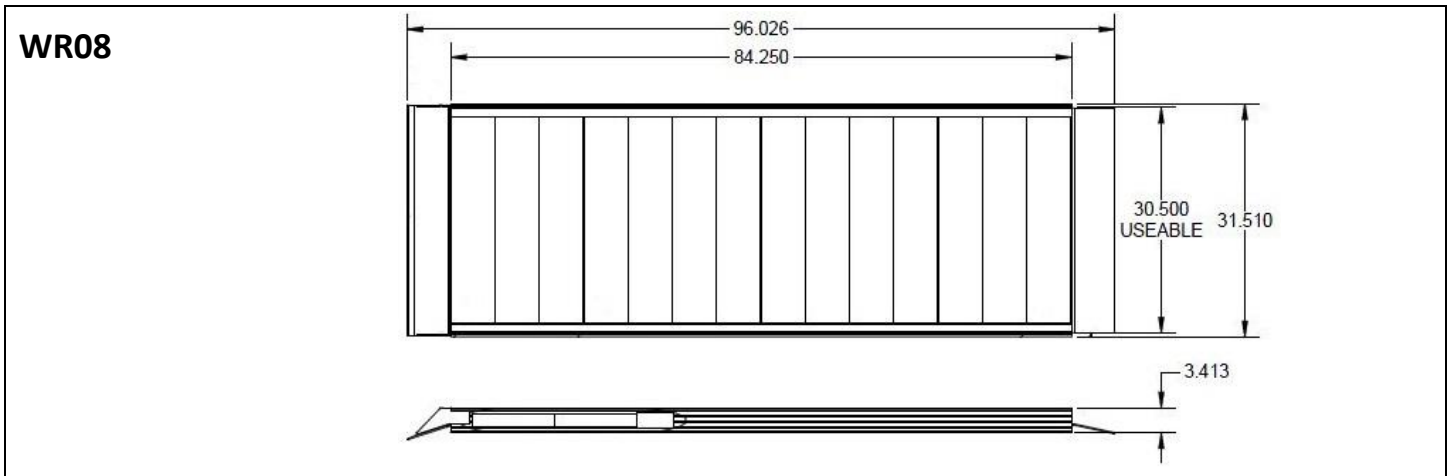
MODEL	TRAVERSE WR04	TRAVERSE WR06	TRAVERSE WR08	TRAVERSE WR10	TRAVERSE WR12	TRAVERSE WR14
OVERALL LENGTH	47.921"	72.023"	96.026"	119.996"	144.210"	168.210"
OVERALL WIDTH	31.510"	31.510"	31.510"	31.510"	31.510"	31.510"
USABLE WIDTH	30.5"	30.5"	30.5"	30.5"	30.5"	30.5"
OVERALL HEIGHT	3.413"	3.413"	3.413"	3.413"	3.413"	3.413"
OVERALL TOP LIP TRANSITION PLATE (L x W)	5.92" x 31.25"	5.92" x 31.25"	5.92" x 31.25"	5.92" x 31.25"	5.92" x 31.25"	5.92" x 31.25"
OVERALL BOTTOM TRANSITION PLATE (L x W)	5.59" x 30.38"	5.59" x 30.38"	5.59" x 30.38"	5.59" x 30.38"	5.59" x 30.38"	5.59" x 30.38"
RATED LOAD (DO NOT EXCEED)	1,200 lbs.	1,200 lbs.	1,200 lbs.	1,200 lbs.	850 lbs.	850 lbs.
WEIGHT	33 lbs.	49 lbs.	60 lbs.	74 lbs.	94 lbs.	108 lbs.
WARRANTY	3-Year Limited	3-Year Limited	3-Year Limited	3-Year Limited	3-Year Limited	3-Year Limited

Weights and dimensions are approximate and subject to change.





# TRAVERSE™ Walk Ramp Technical Specifications





# TRAVERSE™ Walk Ramp Technical Specifications

