



General Guidelines ⚠

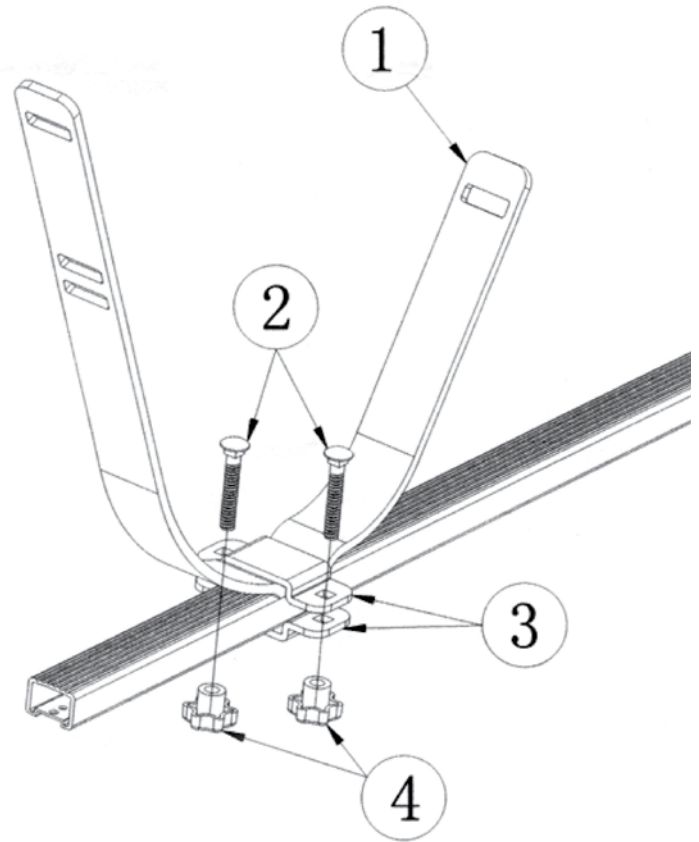
- It is the user's responsibility to read and follow all instructions.
- Keep these instructions with the product at all times and review before each use.
- It is the responsibility of this product's owner to furnish the instructions to any person that borrows or purchases the product.
- Inspect the product before use to ensure it is assembled properly and all parts are in safe working order and free of defects.
- Never modify this product in any way.
- All circumstances cannot be addressed in these instructions. Please use common sense and practice general safety measures when using this product.
- Parts and/or instructions are subject to change without notice.

Safety ⚠

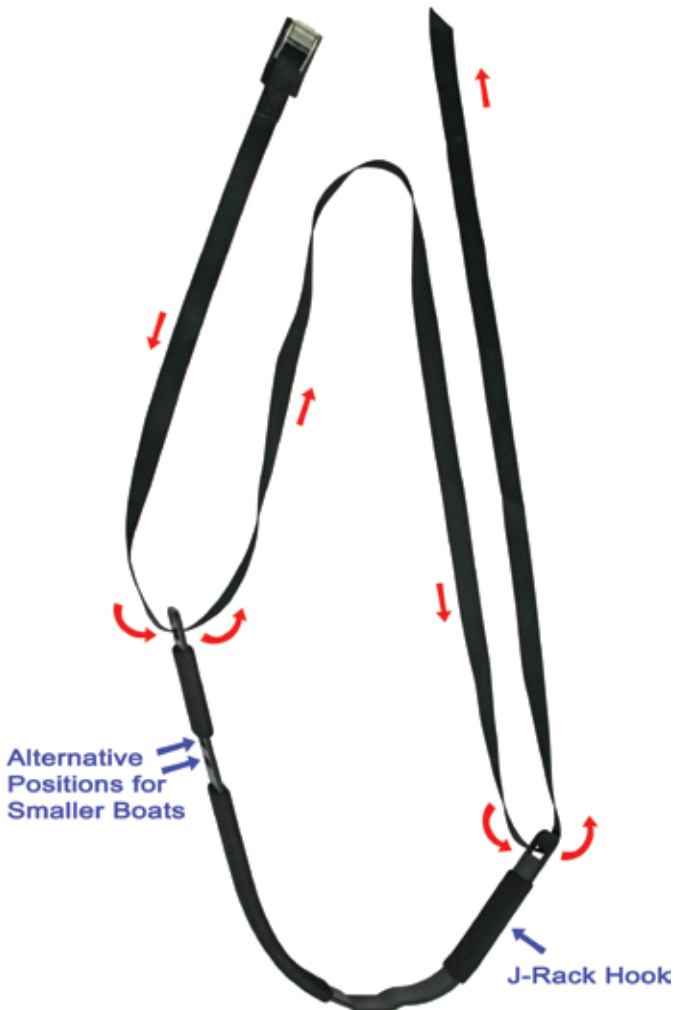
- This item is designed for use with kayaks only.
- Ensure cargo stored on a vehicle roof does not obstruct driver viewing through the windshield or rear view mirror.
- Do not transport any cargo wider than the vehicle roof.
- Tie down longer cargo with a bow and stern straps (sold separately).
- Attach bow and stern straps to a solid tie-down point; do not hook to plastic or flimsy bumpers.
- Secure roof cargo to the roof rack and side rails.
- Check all tie-down connections periodically on travel stops.
- The attachment of this rack is critical and beyond the control of the manufacturer. The manufacturer is not responsible for its attachment or installation. We neither guarantee nor are liable for any damages resulting from its attachment or use. Liability of this rack is limited to its purchase price.

Parts List

Part	Description	Quantity
1	Carrier - Flat Iron	2
2	Square Neck Bolt M8x50	4
3	Bracket - Stamping	4
4	Nylock Nut M8-1.25	4
5	High Density Foam EVA	4
6	Strap 25x2800mm	2

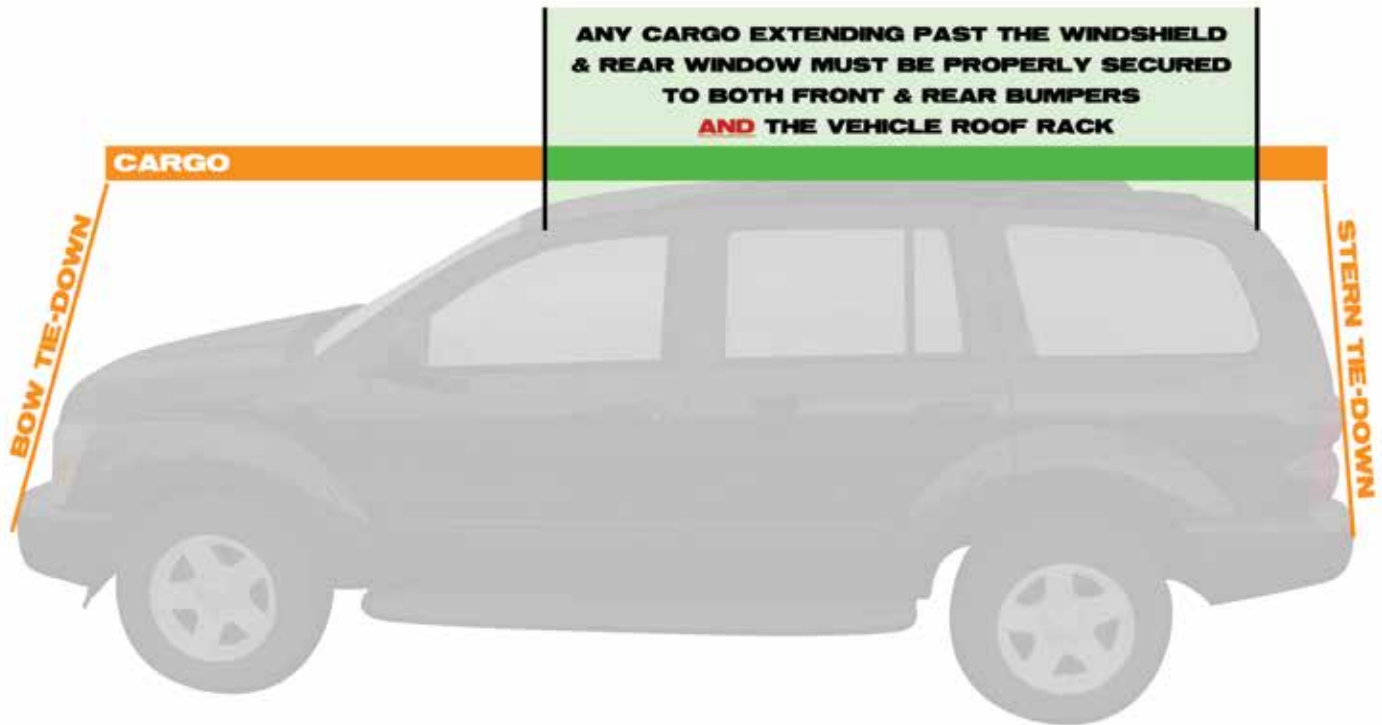


Strap Feeding Diagram



How to Properly Tie Down Roof Cargo

To prevent damage to the vehicle and/or cargo, as well as overcome updraft concerns, it is absolutely imperative to tie down the cargo extending past the vehicle windshield and rear window. A bow tie-down strap is designed to properly secure cargo to the front vehicle bumper undercarriage. The front strap counteracts air updraft forces, preventing cargo from flying upward or off the vehicle during travel. To balance the roof cargo load, a stern tie-down strap is also required, which connects the cargo to the rear bumper undercarriage.



Loading and Securing Items

Securing a roof rack to a vehicle and securing cargo or other items to the roof rack is the sole responsibility of the rack owner. It is highly important for the rack owner to follow all safety precautions to ensure the roof rack and attached cargo is properly secured for transport both for their own safety and for the safety of others on the road. Be sure to:

- Clean the roof surface before placing a rack or items for travel
- Place item directly centered onto the rack
- Attach item to the rack with rope or tie-down straps
- Attach a **front and rear** line rope or strap from the item to the **front and rear** of the vehicle (bow and stern tie-downs)
- Protect paint with a pad or cloth where the extended bow and stern lines touch the vehicle
- Recheck item and rack attachment occasionally during use

Product Warranty and Liability

GENERAL PRODUCT WARRANTY: Products purchased from the Authorized Dealer (original place of purchase) or Merchant (“Dealer”) will be free of defects in material and workmanship at the time of receipt, and will meet the specifications stated at the place of purchase transaction or online at the Dealer’s website, under normal use and service when correctly installed, operated and maintained. This product warranty is effective for the period of time stated below, unless otherwise stated in the product instructions or depicted in the product advertisement. **All Authorized Dealer warranties are NON-TRANSFERABLE** and cover only the original end purchaser. This limited warranty does not cover products purchased through non-authorized dealers. Non-authorized dealer receipts are not accepted for warranty verification.

*****Warranty claims must be made directly to the original place of purchase.*****

WARRANTY PERIOD: This warranty remains in force for one year from the date of the product’s accepted delivery. The Authorized Dealer offers a one year manufacturer’s warranty for most products unless otherwise specified on the product advertisement.

WARRANTY SERVICE: The Authorized Dealer will replace any defective or malfunctioning part at no charge, including payment of the shipping costs of parts or replacement product to and from the manufacturer. The purchaser is responsible for labor charges. If the product does not meet specifications as depicted in the advertisement, the Authorized Dealer will refund the full purchase price of the product.

Questions regarding the warranty on a specific product and warranty claims should be directed to the Authorized Dealer with whom the purchase transaction was made.

WARRANTY LIMITATIONS: The above warranty does not apply to products that are repaired, modified or altered by any party other than the Authorized Dealer; are subjected to unusual physical stress or conditions (such as overloaded ramps or corrosion), natural disaster, governmental actions, wars, strikes, labor disputes, riots, theft, vandalism, terrorism or any reason beyond reasonable control; are damaged due to improper installation, misuse, abuse, accident or negligence in use, storage, transportation or handling, or tampering; or to products that are considered consumable items or items requiring repair or replacement due to normal wear and tear.

Product should be inspected prior to signing for delivery. Product damage incurred during shipping, unless noted on the Bill of Lading at the time of delivery, renders this warranty void.

LIMITED LIABILITY: In no event shall THE AUTHORIZED DEALER be liable to the purchaser or any third party for any indirect, incidental, consequential, special, exemplary or punitive damages arising out of the use of the product, including, without limitation, property damage, loss of value of the product or any third party products that are used in or with the product, or loss of use of the product or any third party products that are used in or with the product.

