





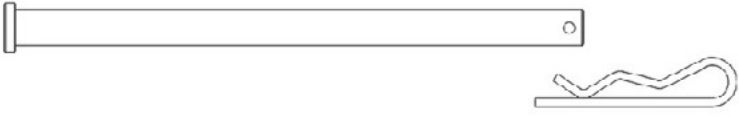

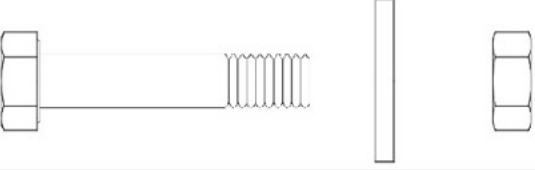
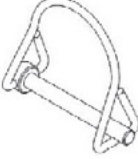
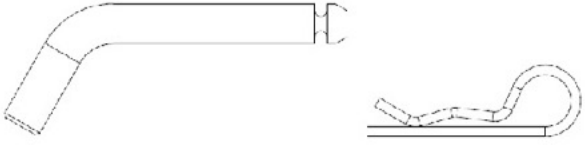
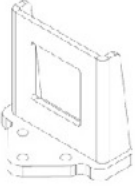


Steel Sport Bike Carrier

Instructions for Part #MCC-300

GENERAL GUIDELINES & SAFETY

- It is the user's responsibility to read and follow all instructions.
- Keep these instructions with the product at all times and review before each use.
- It is the responsibility of this product's owner to furnish the instructions to any person that borrows or purchases the product.
- Inspect the product before use to ensure it is assembled properly and all parts are in safe working order and free of defects.
- Never modify this product in any way.
- All circumstances cannot be addressed in these instructions.
- Please use common sense and practice general safety measures when using this product.
- Parts and/or instructions are subject to change without notice.
- The sport bike carrier is intended for one sport bike use only.
- Never exceed 300 lb. capacity or the hitch receiver manufacturer's tongue weight rating.
- Always use the ramp to load and unload sport bike, do not drive sport bike onto carrier platform.
- Always secure loading ramp while vehicle is in motion.
- Do not sit or start the sport bike while on carrier.
- Do not carry flammable items on the carrier.
- Sport bike must be in gear while on carrier for transport.
- The sport bike carrier is not intended for transporting people.
- The sport bike **MUST** be secured with tie-down straps while being transported (straps not included).
- Safety bolts and 5/8" hitch pin must be secured through tire spokes before transporting the sport bike.
- Check all hardware connections (nuts & bolts) before each use.
- For added theft security, secure sport bike with a lock and chain.

PARTS

4 LARGE BOLTS WITH LOCKING NUTS	
2 LONG BOLTS AND LOCKING NUTS&WASHERS	
2 LARGE SAFETY PINS WITH CLEVIS PIN	
4 MEDIUM BOLTS WITH LOCKING NUT & WASHERS	
8 SMALL BOLTS WITH LOCKING NUTS & WASHERS	
SPRING CLIP	
1-Hitch pin 1-R Pin	
1-Anti-Tilt device	
2-M10X40 Hexagon bolt	
2-M10X50 Hexagon bolt	
2 -TIRE CRADLES 2 -BRIDGE SUPPORTS 1- SUPPORT CHANNEL RECEIVER BAR 2 -RAMP SUPPORTS 1-RAMP	

ASSEMBLY INSTRUCTIONS

Step1: Place two tire cradles on L type junction plate. Attach with small bolts & nuts (See FIG.1)

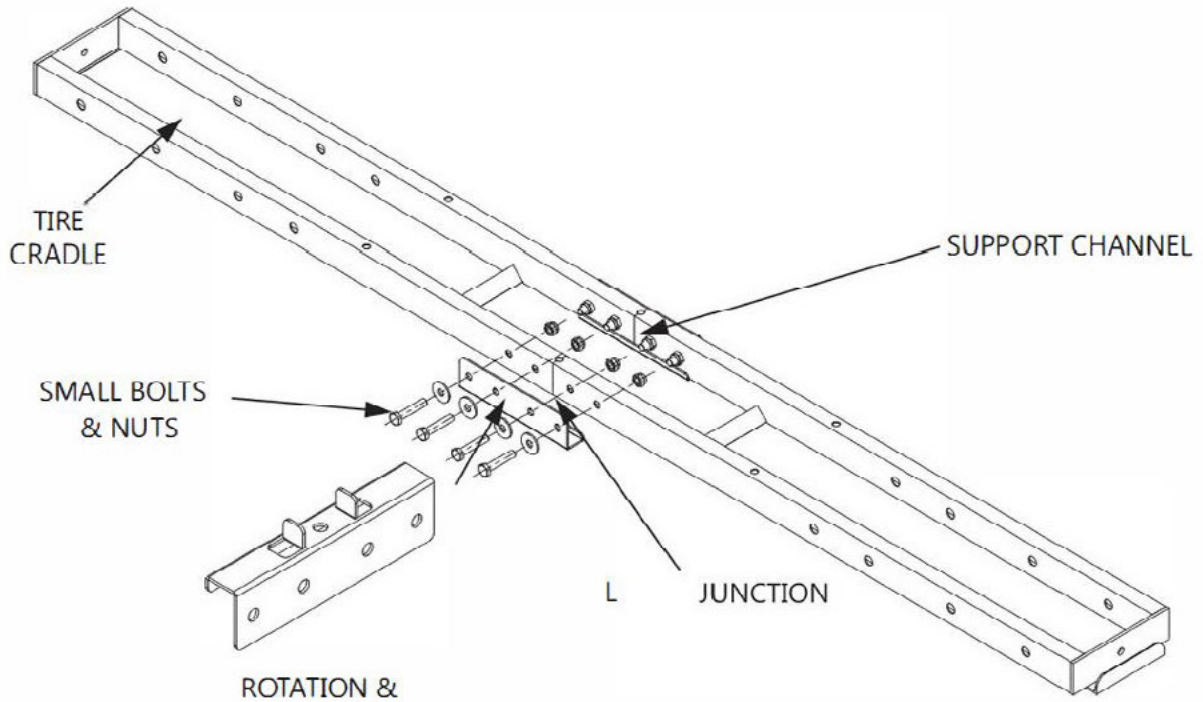


FIG. 1

Step2: Place 2" receiver bar inside support channel on underside of the L junction plate, aligning holes and using the long bolts. Attach bridge supports as shown using lock nuts; Attach medium bolts in two side of bridge supports respectively, getting through ramp support and the hole of two side for bridge support using locking nut. (See FIG.2)

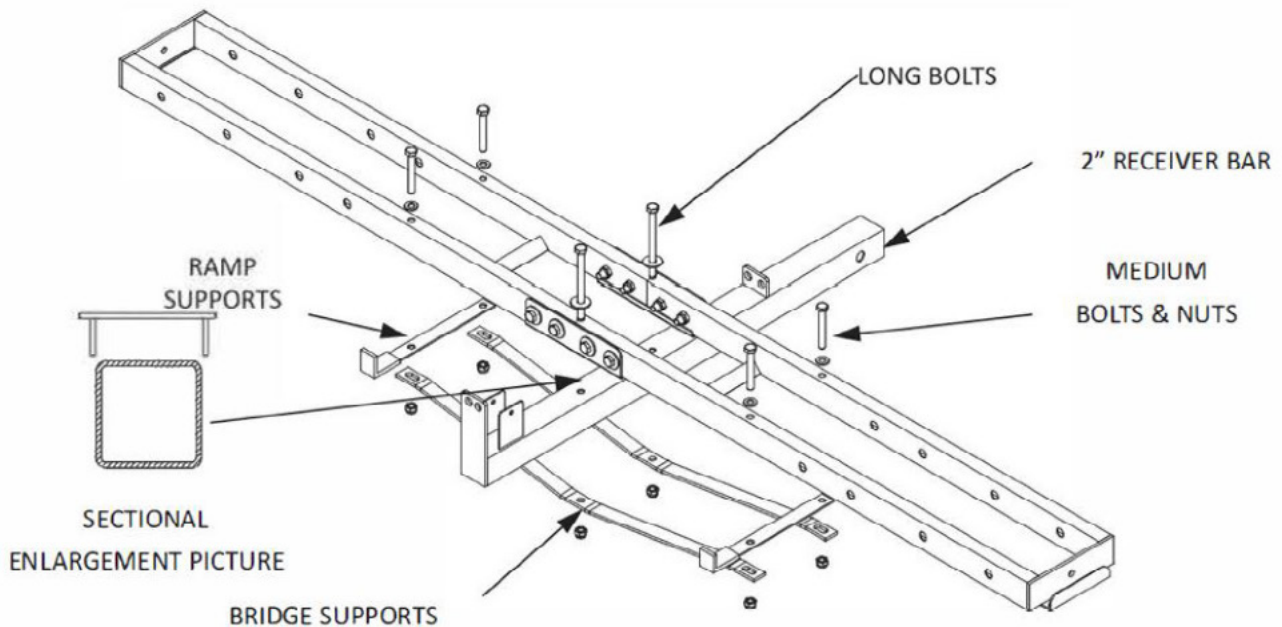


FIG. 2

Step3: Adjusting Step 1 and Step 2 to the level position, screw on all lock nuts tightly.

Step4: The carrier is designed to load the motorcycle from the left or right side using the ramp. There are 3 sets of center holes and 1 set of upper holes on each cradle. The large safety pins and clevis pins are used in the upper holes. See FIG. 4. The 4 large bolts are used in the center hole to support the motorcycle tires. NOTE: Depending on the size of your motorcycle some bolts may not be needed. (see FIG.3)

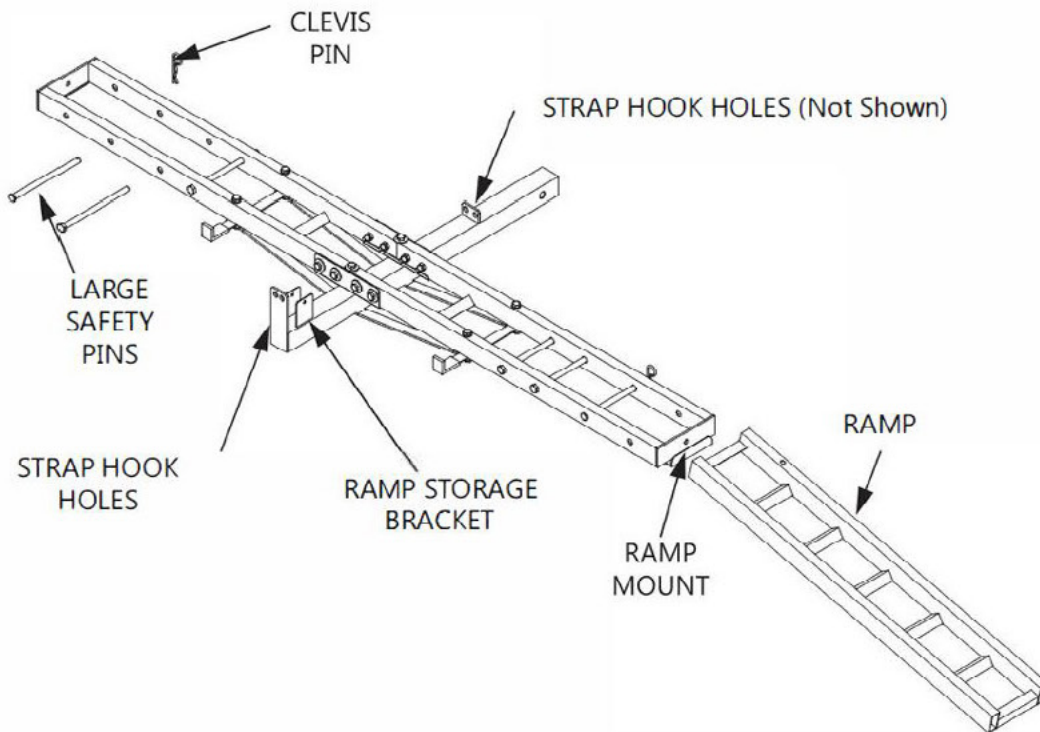


FIG. 3

Step5: The front tire of the motorcycle must rest down into the cradle and be secured with a large safety pin and clevis pin. This step is needed in case a strap is broken or comes loose during transport. A second safety pin is supplied. Depending on the size of your motorcycle, this pin may not be needed. If this pin is not used, secure the motorcycle tire with a strap. (Not included)

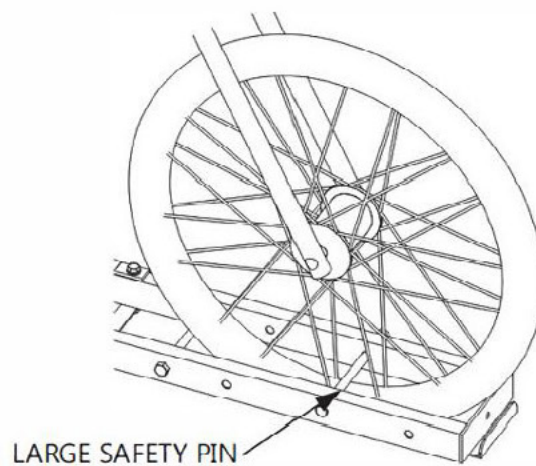
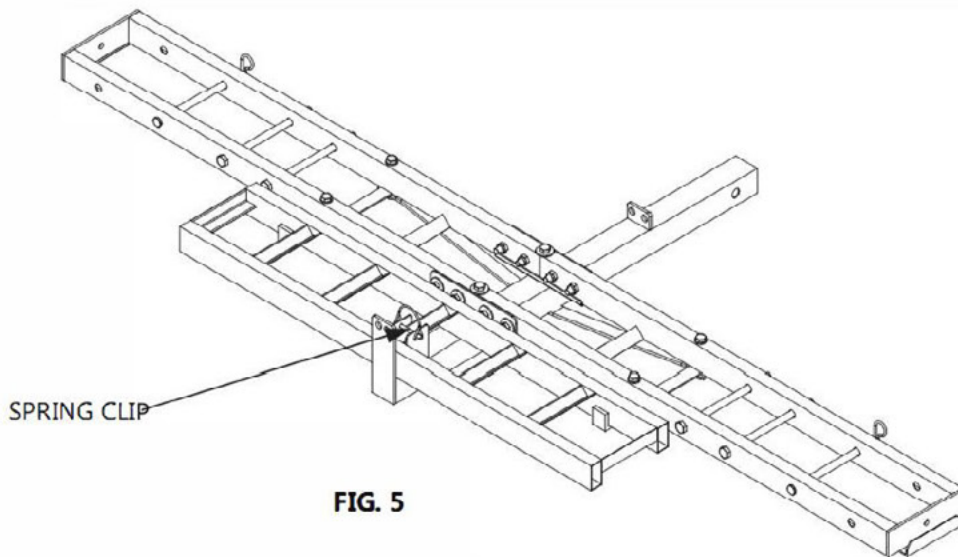
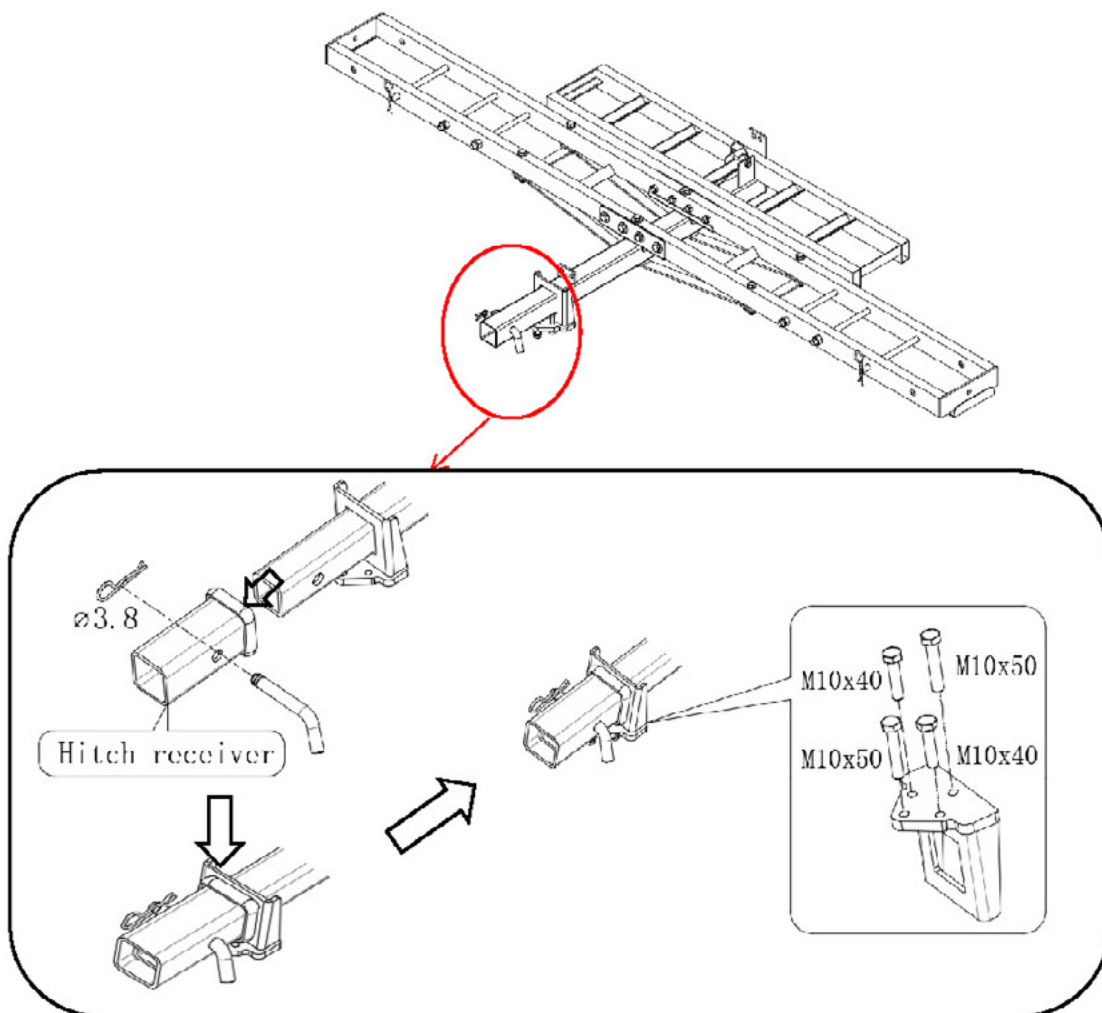


FIG. 4

Step 6: After the assembling, place ramp in the middle and using the spring clip, attach it to the frame as shown. (see FIG.5)



STEP 7: Place the anti-tilt device onto the hitch tube as shown in the image below. Install the carrier hitch tube into the vehicle's 2 inch hitch receiver. Secure the carrier with the 5/8 inch hitch pin and R pin. Slide the anti-tilt device against the hitch receiver and secure with the four M10 bolts.



MOUNTING AND LOADING SPORT BIKE INSTRUCTIONS

STEP 1. Insert 2" receiver bar tube into the 2" receiver hitch and secure 5/8" hitch pin. This carrier will only mount into a 2" receiver.

STEP 2. The loading ramp can be used on either side of the carrier. Make sure lip of ramp is securely hooked into the ramp mount.

STEP 3. With feet firmly planted and sport bike in neutral, slowly guide sport bike up loading ramp onto carrier. Use two people if necessary.

STEP 4. Secure sport bike with a minimum of 2 tie-down straps (not included). Put one of the safety pins into upper hole passing through the spokes of the front wheel and secure with 5/8" hitch pin. (See FIG 4).

STEP 5. Place the ramp onto the receiver tube as shown allowing the center support to slide into the bracket. Secure with 2" spring clip.

PRODUCT WARRANTY & LIABILITY

GENERAL PRODUCT WARRANTY: Products purchased from the Authorized Dealer (original place of purchase) or Merchant ("Dealer") will be free of defects in material and workmanship at the time of receipt, and will meet the specifications stated at the place of purchase transaction or online at the Dealer's website, under normal use and service when correctly installed, operated and maintained. This product warranty is effective for the period of time stated below, unless otherwise stated in the product instructions or depicted in the product advertisement. All Authorized Dealer warranties are NON-TRANSFERABLE and cover only the original end purchaser. This limited warranty does not cover products purchased through non-authorized dealers. Non-authorized dealer receipts are not accepted for warranty verification.

*****WARRANTY CLAIMS MUST BE MADE DIRECTLY TO THE ORIGINAL PLACE OF PURCHASE.*****

WARRANTY PERIOD: This warranty remains in force for one year from the date of the product's accepted delivery. The Authorized Dealer offers a one year manufacturer's warranty for most products unless otherwise specified on the product advertisement.

WARRANTY SERVICE: The Authorized Dealer will replace any defective or malfunctioning part at no charge, including payment of the shipping costs of parts or replacement product to and from the manufacturer. The purchaser is responsible for labor charges. If the product does not meet specifications as depicted in the advertisement, the Authorized Dealer will refund the full purchase price of the product.

Questions regarding the warranty on a specific product and warranty claims should be directed to the Authorized Dealer with whom the purchase transaction was made.

WARRANTY LIMITATIONS: The above warranty does not apply to products that are repaired, modified or altered by any party other than the Authorized Dealer; are subjected to unusual physical stress or conditions (such as overloaded ramps or corrosion), natural disaster, governmental actions, wars, strikes, labor disputes, riots, theft, vandalism, terrorism or any reason beyond reasonable control; are damaged due to improper installation, misuse, abuse, accident or negligence in use, storage, transportation or handling, or tampering; or to products that are considered consumable items or items requiring repair or replacement due to normal wear and tear.

Product should be inspected prior to signing for delivery. Product damage incurred during shipping, unless noted on the Bill of Lading at the time of delivery, renders this warranty void.

LIMITED LIABILITY: In no event shall **THE AUTHORIZED DEALER** be liable to the purchaser or any third party for any indirect, incidental, consequential, special, exemplary or punitive damages arising out of the use of the product, including, without limitation, property damage, loss of value of the product or any third party products that are used in or with the product, or loss of use of the product or any third party products that are used in or with the product.

