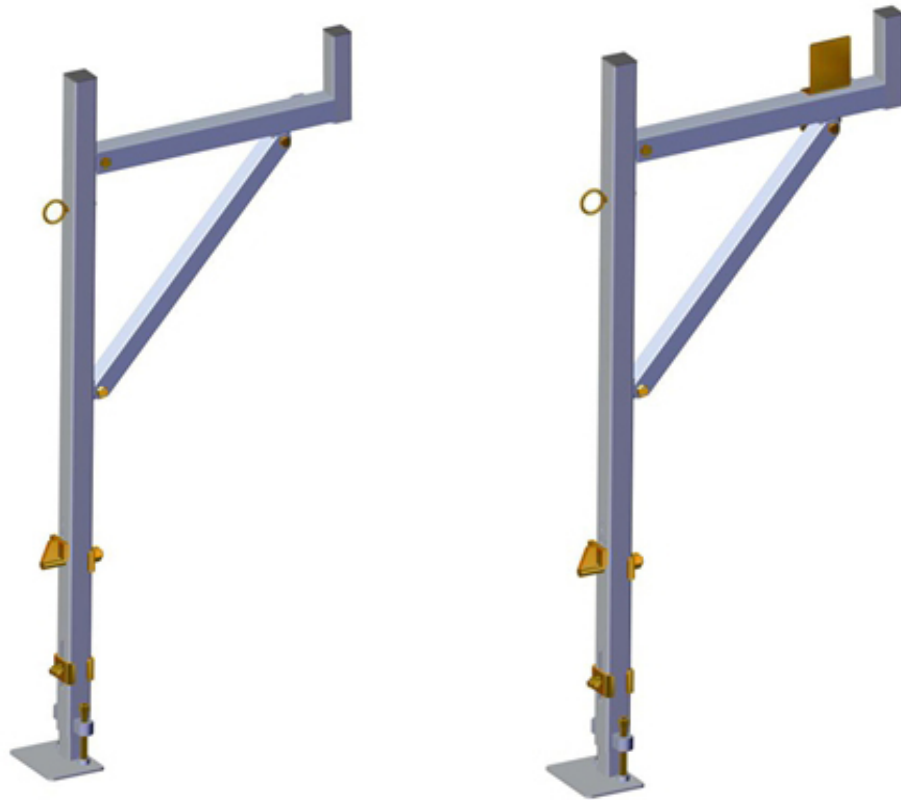


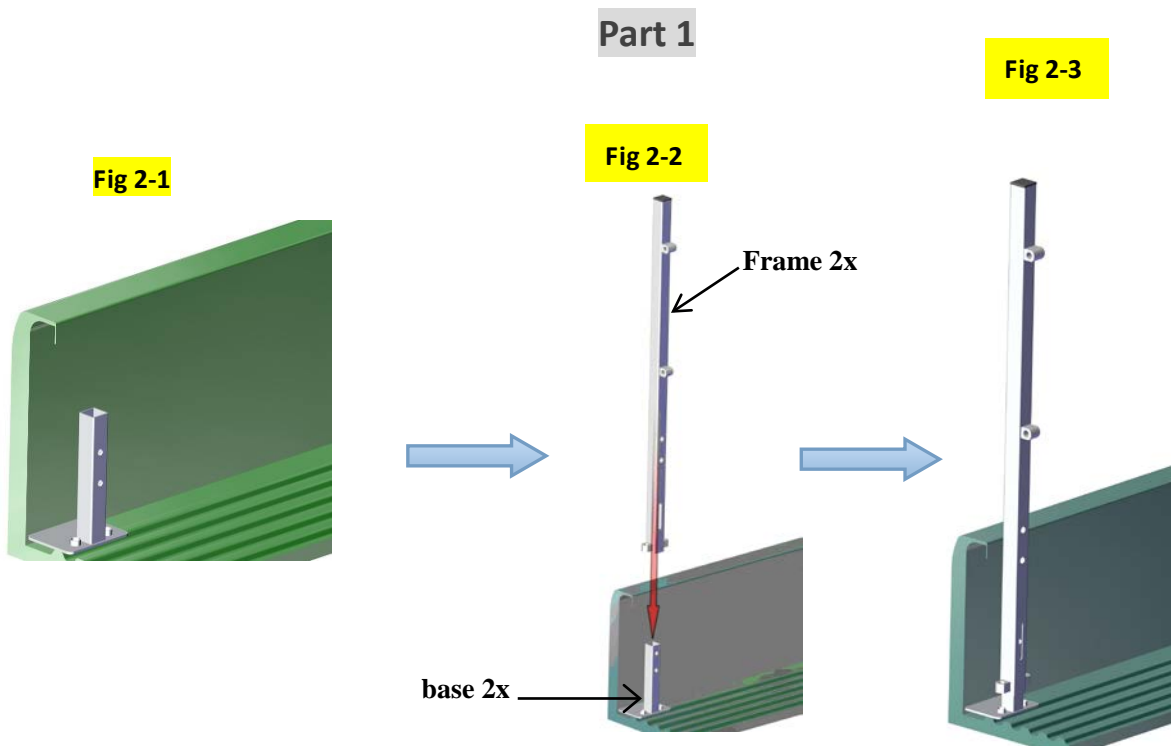
NDALR

250lbs Aluminum Truck Rack

Fig 1



Installation Steps



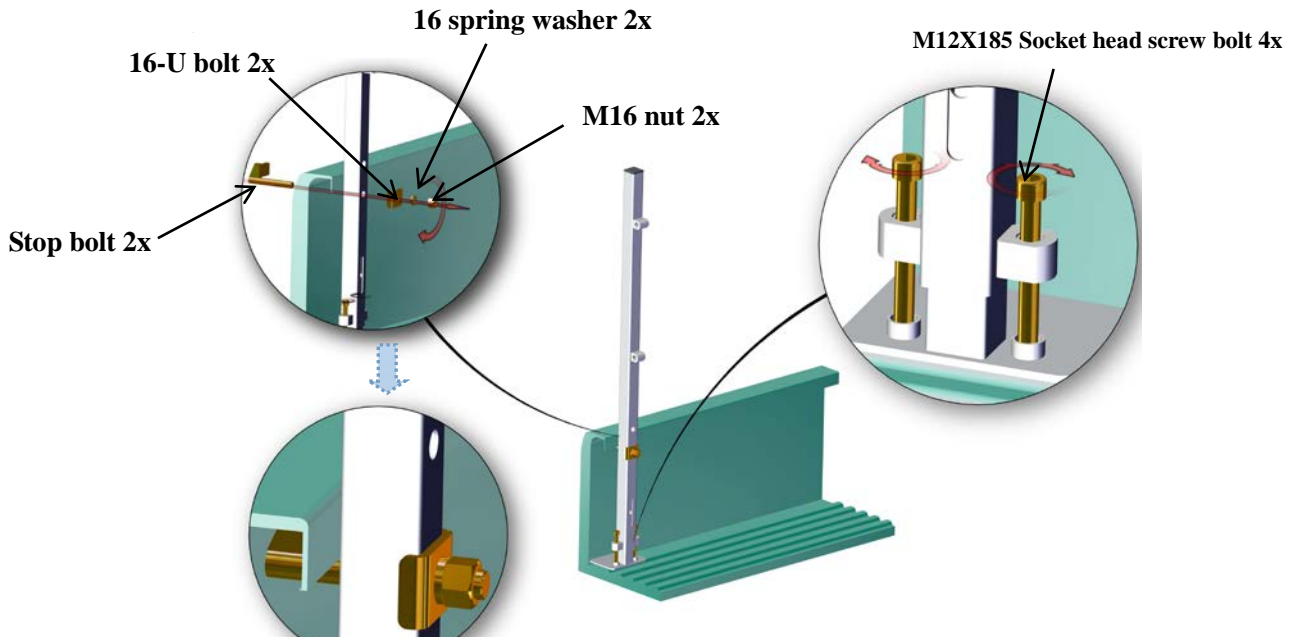
Part 1

The purpose of part one is to assemble the frame for the truck rack. Follow the instructions below:

1. To assemble the frame you will need the "Base" and both "Frames".
2. On the side you prefer to have the truck rack on, place a "Base" near the front and in the back corners of the bed of the truck. Note that the "Base" should be running parallel to each other on the long side of the truck. Additionally, the long side of the "Base" should be parallel with the trucks side.
3. After placing the bases, take the "Frames" and slide one onto each "Base". Note that the cylinders on the top half of the "Frames" should be facing the opposite side of the truck.

Part 2

Fig 3



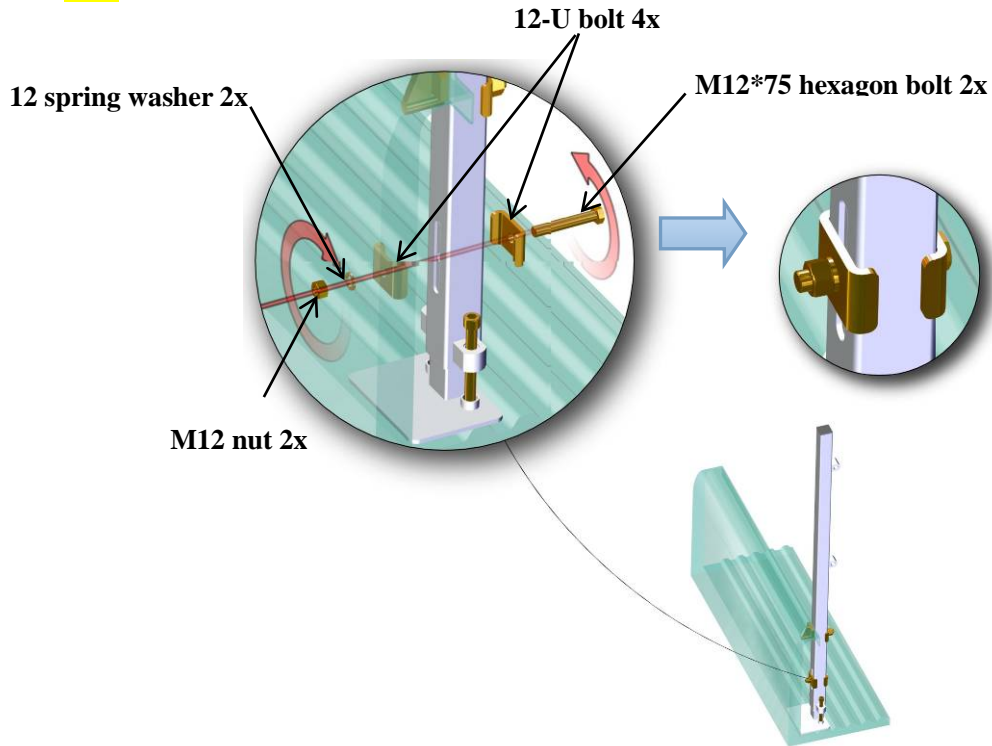
Part 2

The purpose of part two is to secure the base and frame to the truck bed of your truck. Follow the instructions below:

1. To secure the frame you will need 2 "Stop Bolt", 2 "16-U Bolts", 2 "16 Spring Washer, 2 "M16 Nut", and 4 "M12X185 Socket Head Screw Bolt".
2. Part 2 will secure the top and bottom half of the post. The first part will secure the top half. To do this, take a "Stop Bolt" and place it under the lip of your truck bed, putting it through the hole on the frame.
3. Take a "16-U Bolts" and slide it onto the exposed post of the "Stop Bolt" so that the tabs run parallel with the post. Then slide on a "16 Spring Washer" and tighten the "M16 Nut" until it is secured.
4. Repeat the process for the additional frame.
5. To secure the bottom base of the frame you will insert a "M12X185 Socket Head Screw Bolt" into both sides of the bases, and then tighten the "M12X185 Socket Head Screw Bolt". Repeat this process for the additional posts.

Part 3

Fig 4



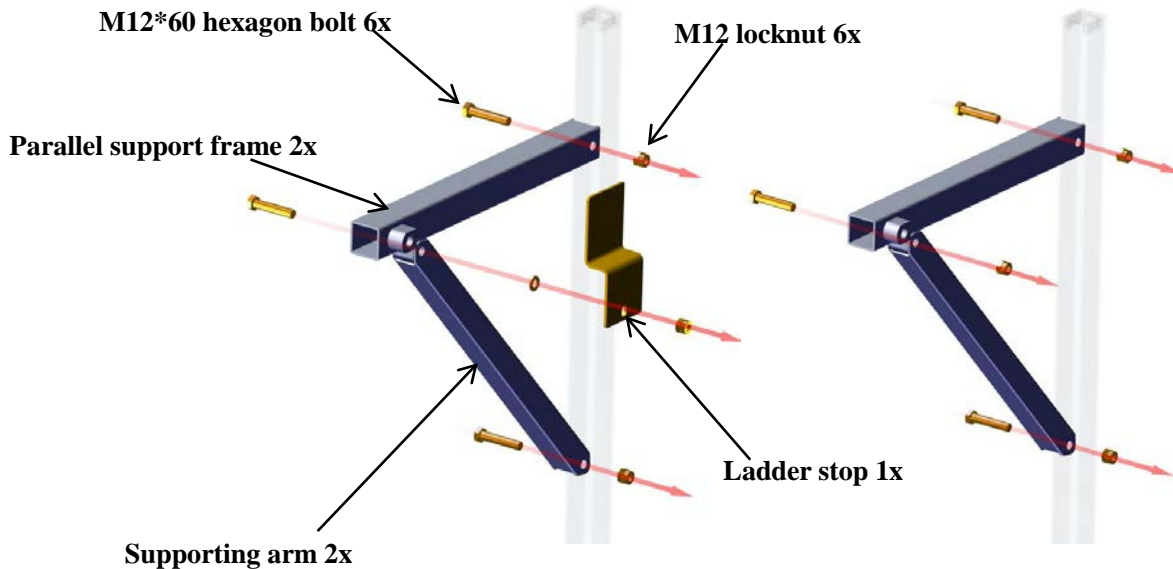
Part 3

The purpose of part three is to lock the frame at a desired height. For the series of instructions below:

1. To lock in the desired height, you will need 2 "12 Spring Washer" , 4 "12-U Bolt" , 2 "M12*75 Hexagon Bolt" , and 2 "M12 Nut"
2. On the bottom half of each of the bases, there is a long slit. To secure the frames height, take a "M12*75 Hexagon Bolt , and insert a "12-U Bolt" into the "M12*75 Hexagon Bolt" , then slide them into the slit. On the opposite side of the bolts, place a "12-U Bolt" and then a "12 Spring Washer". Lock this into place by tightening "M12 Nuts".
3. Repeat step 1-2 to secure the other post.

Part 4

Fig 5



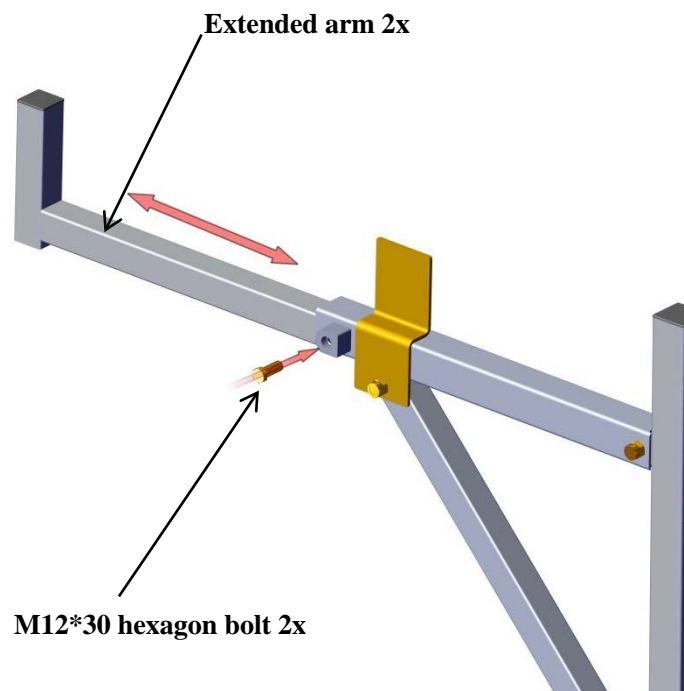
Part 4

The purpose of part four is to attach the support arms and their rails to the rack. Follow the steps below:

1. To attach the support arms and their rails, you will need 2 "Supporting Arm", 2 "Parallel Support Frame", 6 "M12*60 Hexagon Bolts", and 6 "M12 Locknut" to attach Ladder Stop .
2. First, attach both the "Supporting Arm" and "Parallel Support Frame" to the post. Using the "M12*60 Hexagon Bolts, attach the "Supporting Arm" by sliding the "Parallel Support Frame" parallel with hole on the post and inserting the bolt. Tighten the "M12 Lock Nut" enough to attach Ladder Stop so that the frame will not fall.
3. Repeat the previous step, only for the "Supporting Arm, which should be lower than the frame.
4. Slide the tabs from the free end of the "Supporting Arm" so that the tabs' holes and the holes from the "Parallel Support Frame" are parallel. Attach them together using the same method from step 2.
5. Tighten all of the locknuts and repeat this process on the additional post.

Part 5

Fig 6

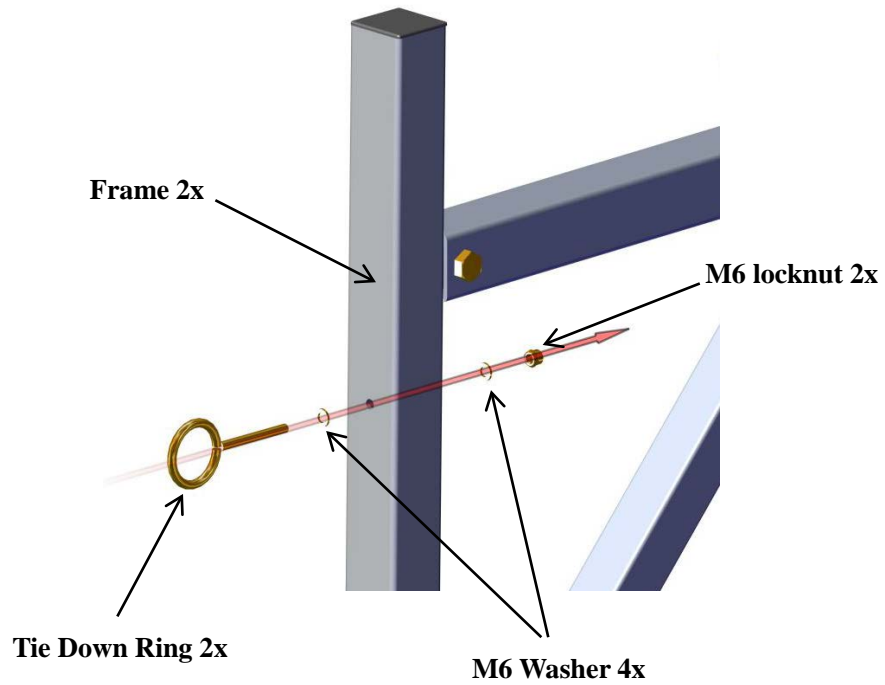


Part 5

Insert the Extended Arm into the Parallel Supporting Frame, and secure it with a M12*30 Hexagon Bolt.

Part 6

Fig7

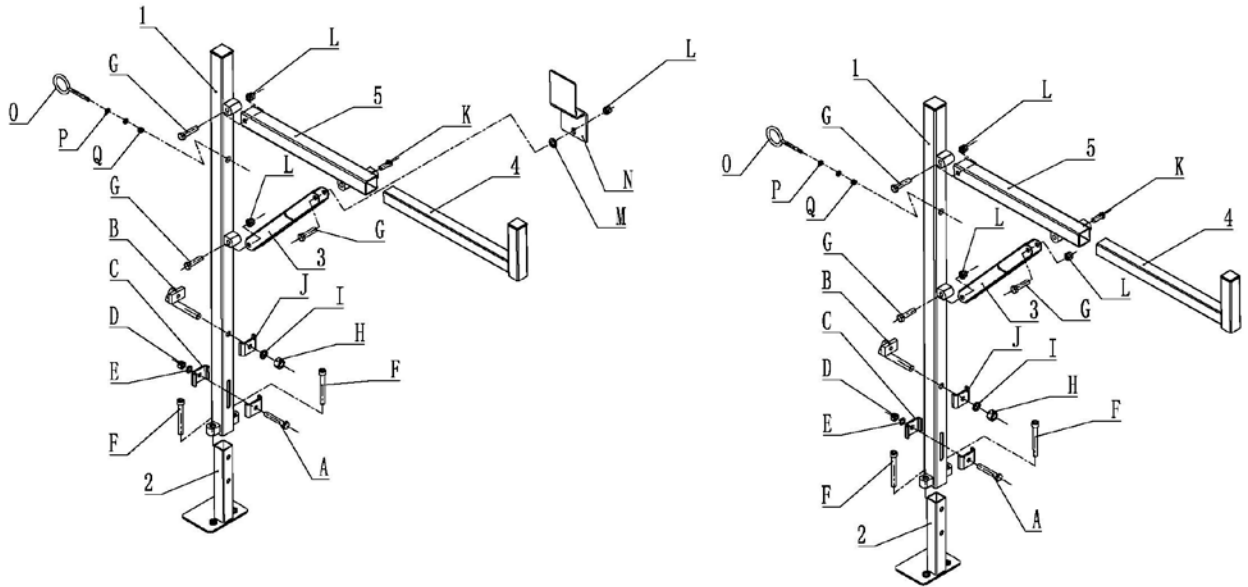


Part 6

Screw "Tie Down Ring" with "M6 Washer" and "M6 Lock Nut" to "Frame ". Square and level all components, and then tighten all hardware securely

Explosion diagram and parts list

Fig 8



Parts List

Item#	Description	Quantity
1	Frame	2
2	Base	2
3	Supporting Arm	2
4	Extended Arm	2
5	Parallel Support Frame	2

Hardware List

Part	Description	Pic.	Quantity	Part	Description	Pic.	Quantity
A	M12*75 Hexagon Bolt		2	J	16-U Bolt		2
B	Stop Bolt		2	K	M12*30 Hexagon Bolt		2
C	12-U Bolt		4	L	M12 Locknut		6
D	M12 Nut		2	M	M12 flat washer		1
E	M12 Spring Washer		2	N	Ladder Stop		1
F	M12X185 Socket Head Screw Bolt		4	O	Tie Down Ring		2
G	M12*60 Hexagon Bolt		6	P	M6 Washer		4
H	M16 Nut		2	Q	M6 Lock Nut		2
I	M16 Spring Washer		2				