



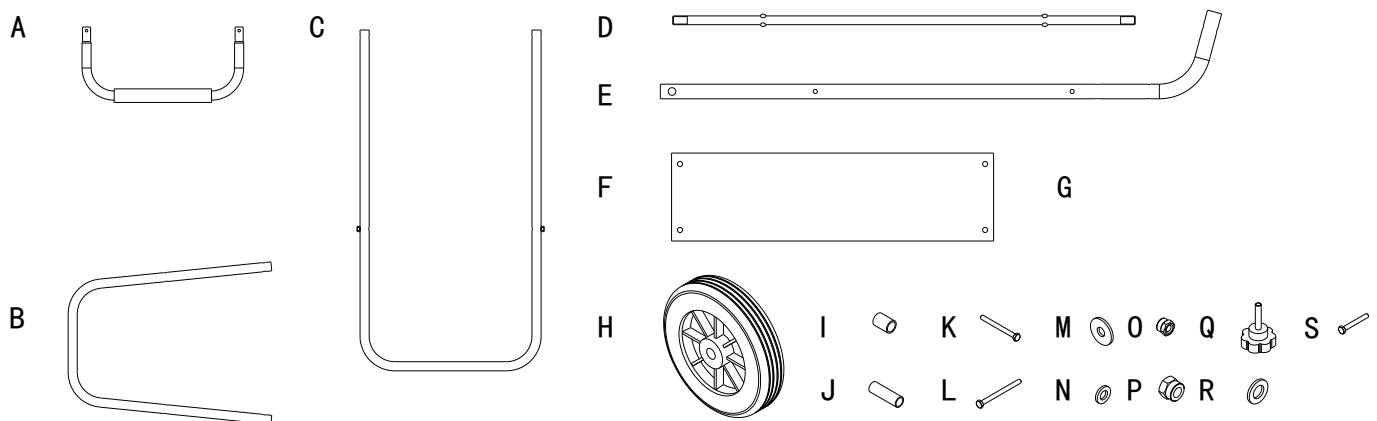
General Guidelines

- It is the user's responsibility to read and follow all instructions.
- Keep these instructions with the product at all times and review before each use.
- It is the responsibility of this product's owner to furnish the instructions to any person that borrows or purchases the product.
- Inspect the product before use to ensure it is assembled properly and all parts are in safe working order and free of defects.
- Never modify this product in any way.
- All circumstances cannot be addressed in these instructions. Please use common sense and practice general safety measures when using this product.
- Do not use this product for any purpose other than that for which it is intended.
- Parts and/or instructions are subject to change without notice.

Safe Installation

- Read all safety information and instructions before you install or use this product. Failure to follow Safety & Use Instructions will void the warranty, and may result in injury, property damage, or death.
- Check that all hardware is properly tightened before use.
- Lubricate the wheels periodically.
- Never exceed the 130 lb. weight limit.
- This carrier is designed for moving motors short distances, for storage, and while performing maintenance.
- Do not use for anything other than its intended purpose.
- Securely chock the wheels while in storage or working on a motor mounted on the motor carrier.
- When storing a motor, it is recommended to securely chock the wheels and position it against a wall with the handle facing outward.
- Never leave a motor and/or motor carrier unattended. Do not use on uneven ground.
- Keep away from children.
- Never run the motor while on the stand.
- Never tow the carrier behind any kind of vehicle.
- When carrying any heavy motor and positioning it on the carrier, it is recommended to use two people.

Diagram & Parts



Part	Description	Qty	Part	Description	Qty
A	Handle Tube	1	K	M6*65 Bolt	4
B	Support Tube	1	L	M6*75 Bolt	4
C	U Support Tube	1	M	Φ 6*18 Flat Washer	8
D	Axle	1	N	Φ 6*12 Flat Washer	16
E	Vertical Straight Tube	2	O	M6 Lock Nut	10
F	Board	1	P	M12 Lock Nut	2
G	Gas Tank Strap	1	Q	Turn Knob M8*40	4
H	Wheel	2	R	Φ 12 Washer	2
I	Space Sleeve	2	S	M6*40 Bolt	2
J	Axle Sleeve	2			

Outboard Motor Weight Reference Chart

This chart has been created as a reference for determining the weight of your outboard motor. The weight between a 2-stroke and 4-stroke outboard motor can vary significantly. These weights are only estimates that are to be used for determining what size outboard motor carrier you should purchase. Before placing your outboard motor onto the motor carrier, it is highly recommended to refer to the owner's manual you received with your outboard motor for the exact weight. If the manufacturer's listed weight exceeds the rated weight capacity of the motor carrier, do not try to mount - serious injury or damage may result.

2-Stroke Motor

Horsepower	Weight
8	60 lbs
9.9	79 lbs
15	79 lbs
25	105 lbs
50	189 lbs
70	228 lbs
90	261 lbs

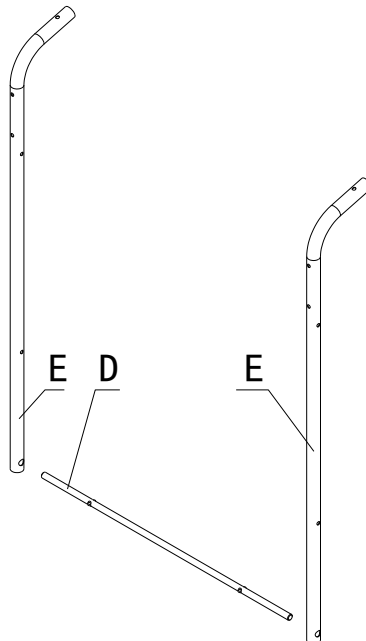
4-Stroke Motor

Horsepower	Weight
8	83 lbs
9.9	99 lbs
15	113 lbs
20	113 lbs
30	172 lbs
40	183 lbs
50 or 60	237 lbs

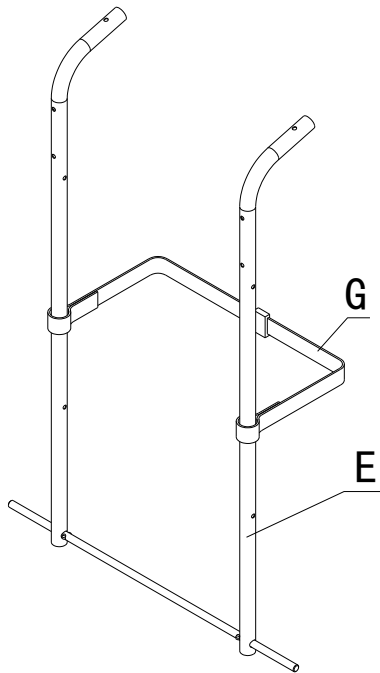
Assembly

Note: First, only hand-tighten parts. When assembly is complete, tighten all hardware with tools.

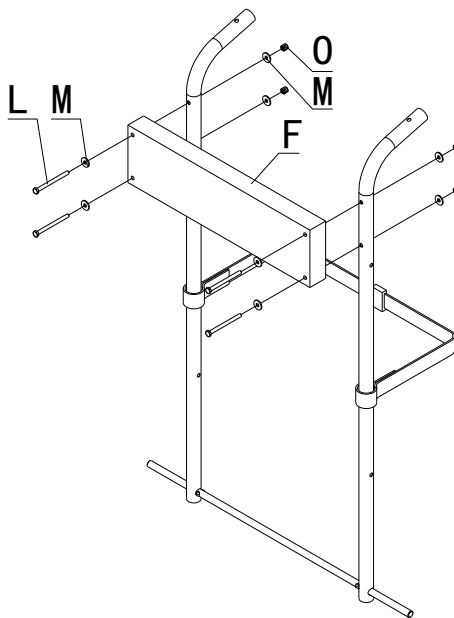
Step 1. Insert the Vertical Straight Tube (E) into the Axle (D);



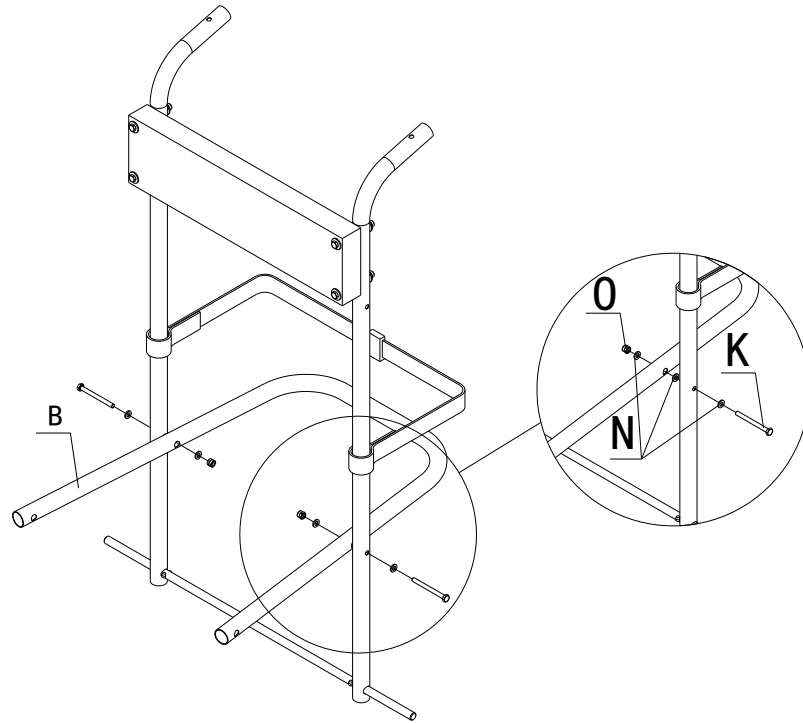
Step 2. Insert gas tank strap (G) into vertical straight tube (E);



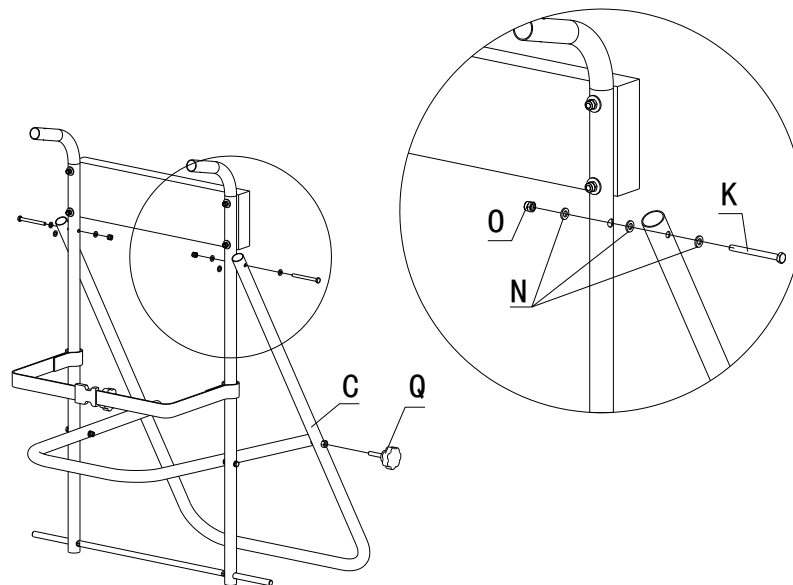
Step 3. Fix the Board (F) on the Vertical Straight Tube (E) with M6*75 Bolt (L), $\Phi 6 * 18$ Flat Washer (M) and M6 Lock Nut (O);



Step 4. Fix the Support Tube (B) on the Vertical Straight Tube (E) with M6*65 Bolt (K), $\Phi 6 * 12$ Flat Washer (N) and M6 Lock Nut (O);

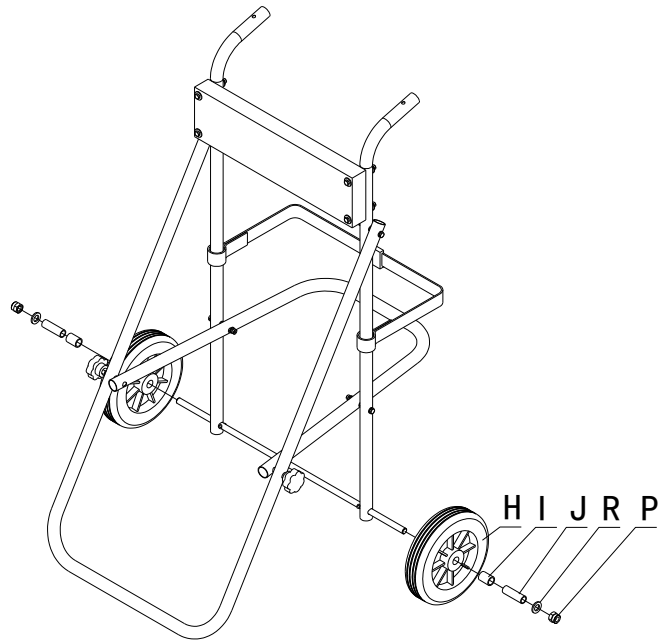


Step 5. Fix the U Support Tube (C) on Vertical Straight Tube (E) with M6*65 Bolt (K), $\Phi 6 * 12$ Flat Washer (N) and M6 Lock Nut (O). Screw the Turn Knob M8*40 (Q) into U Support Tube (C) and connect to Support Tube (B);

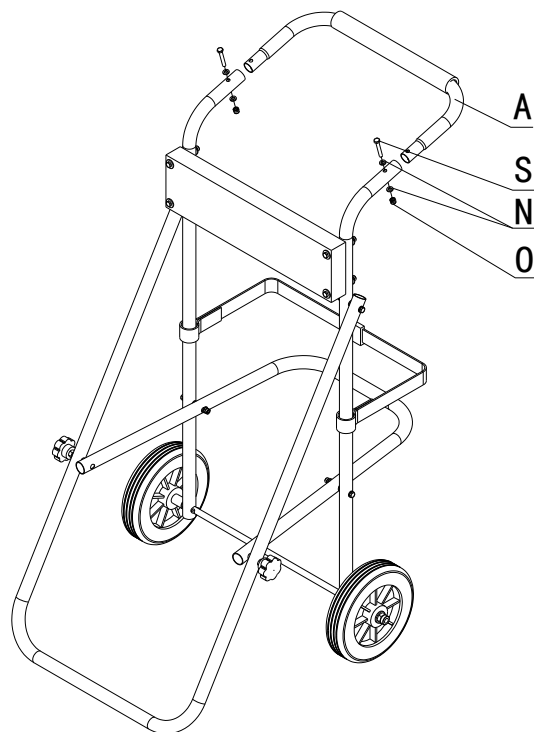


Step 6. Put the Space Sleeve (I) into Axle (D), and the Axle Sleeve (J) into Wheel (H), then put together into Axle (D). Put the $\Phi 12$ Washer (R) into Axle (D) and screw with M12 Lock Nut (P);

Note: After the wheel is installed, pay attention to the rolling of the bracket.



Step 7. Fix the Handle Tube (A) on Vertical Straight Tube (E) with M6*40 Bolt (S), $\Phi 6 * 12$ Flat Washer (N) and M6 Lock Nut (O).



Product Warranty and Liability

GENERAL PRODUCT WARRANTY: Products purchased from the Authorized Dealer (original place of purchase) or Merchant (“Dealer”) will be free of defects in material and workmanship at the time of receipt, and will meet the specifications stated at the place of purchase transaction or online at the Dealer’s website, under normal use and service when correctly installed, operated and maintained. This product warranty is effective for the period of time stated below, unless otherwise stated in the product instructions or depicted in the product advertisement. **All Authorized Dealer warranties are NON-TRANSFERABLE** and cover only the original end purchaser. This limited warranty does not cover products purchased through non-authorized dealers. Non-authorized dealer receipts are not accepted for warranty verification.

*****Warranty claims must be made directly to the original place of purchase.*****

WARRANTY PERIOD: This warranty remains in force for one year from the date of the product’s accepted delivery. The Authorized Dealer offers a one year manufacturer’s warranty for most products unless otherwise specified on the product advertisement.

WARRANTY SERVICE: The Authorized Dealer will replace any defective or malfunctioning part at no charge, including payment of the shipping costs of parts or replacement product to and from the manufacturer. The purchaser is responsible for labor charges. If the product does not meet specifications as depicted in the advertisement, the Authorized Dealer will refund the full purchase price of the product.

Questions regarding the warranty on a specific product and warranty claims should be directed to the Authorized Dealer with whom the purchase transaction was made.

WARRANTY LIMITATIONS: The above warranty does not apply to products that are repaired, modified or altered by any party other than the Authorized Dealer; are subjected to unusual physical stress or conditions (such as overloaded ramps or corrosion), natural disaster, governmental actions, wars, strikes, labor disputes, riots, theft, vandalism, terrorism or any reason beyond reasonable control; are damaged due to improper installation, misuse, abuse, accident or negligence in use, storage, transportation or handling, or tampering; or to products that are considered consumable items or items requiring repair or replacement due to normal wear and tear.

Product should be inspected prior to signing for delivery. Product damage incurred during shipping, unless noted on the Bill of Lading at the time of delivery, renders this warranty void.

LIMITED LIABILITY: In no event shall THE AUTHORIZED DEALER be liable to the purchaser or any third party for any indirect, incidental, consequential, special, exemplary or punitive damages arising out of the use of the product, including, without limitation, property damage, loss of value of the product or any third party products that are used in or with the product, or loss of use of the product or any third party products that are used in or with the product.

