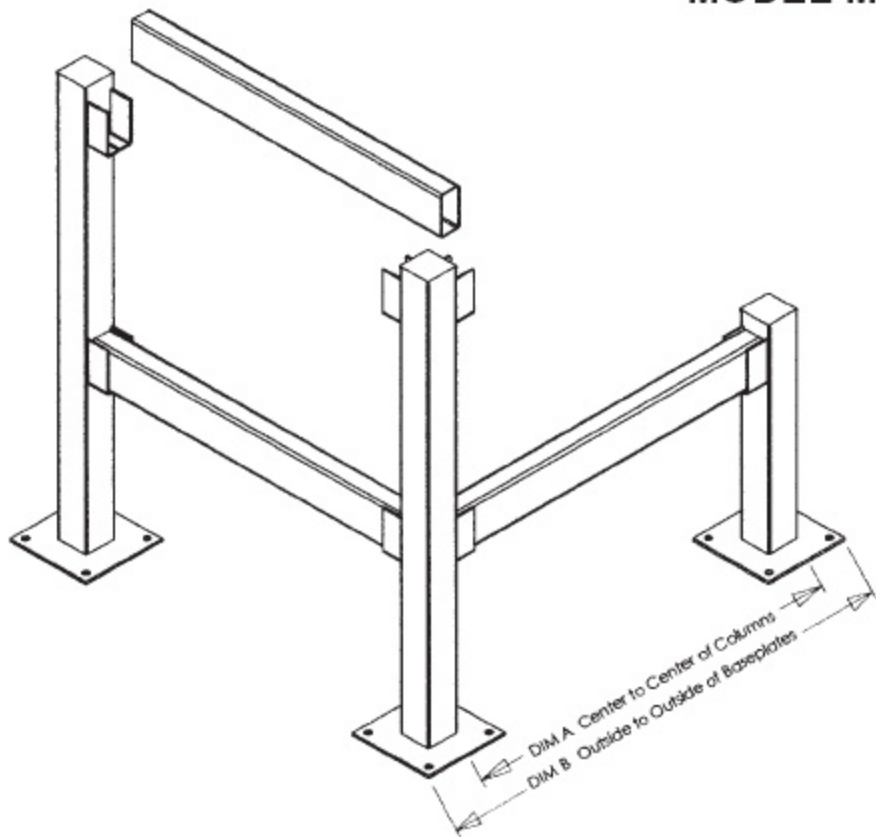


MODULAR PROTECTIVE BARRIER MODEL MPB



RAILS: 2" x 4" x 11 GA STEEL TUBING

POSTS: 3" x 3" x 11 GA STEEL TUBING COLUMNS
8" x 8" x 1/4" STEEL BASEPLATES
9/16" MOUNTING HOLES
COLUMNS ARE CAPPED