

# ***Pet Bicycle Trailer***

## **Owner's Manual & Instructions**



## ***How to habituate your dog to the trailer***

Please take enough time and choose a quiet place so that you can train your dog without any disturbances, which might get him distracted or alarmed. Furthermore, it is important to choose an even surface, like an asphalted surface. The rear door should be opened while the front door should be closed.

If possible take a second person to assist.

To accustom the dog to the bicycle trailer, the training will be ideally carried out in 3 steps:

### **Step 1: The dog becomes acquainted with the bicycle trailer.**

1. An assistant will safely hold the bike with the trailer during the entire training, and avoid wagging the trailer back and forth when riding. Lead your dog through the rear door inside the trailer.

2. Close the rear door and open the front door. Praise the dog properly and give him a treat.

3. Close the front door again and open the rear door. Praise and reward your dog and let him get out on command.

### **Step 2: The dog becomes acquainted with the trailer's motion.**

1. The assistant safely holds the bike and trailer again while you guide the dog into the trailer.

2. Close the rear door again and reward your dog by giving him a treat through the front door.

3. When the dog sits still, the assistant slowly starts riding the bike with the trailer. Walk alongside the trailer and praise your dog properly.

- If the dog becomes anxious, stop the trailer. As soon as the dog has calmed down, reward your dog with a treat and stop the training as in Step 1.

- If the dog keeps calm, stop the training after 2 minutes of a slow ride as in Step 1.

### **Step 3: Riding with bike and trailer**

1. The assistant again safely holds the bike and trailer while you guide the dog into the trailer.

2. Close the rear door and reward your dog by giving him a treat through the front door.

3. When the dog sits still, the assistant slowly starts to ride the bike with the trailer. Walk alongside the trailer and give your dog some treats.

- If the dog becomes anxious, stop cycling. Wait until the dog calms down and give him a treat while standing still. Gently start riding the bike with trailer again (as in Step 2) and after a short time, finish the training as in Step 1 or Step 2.

- If the dog keeps calm, stop the training as described after approximately 2 minutes.

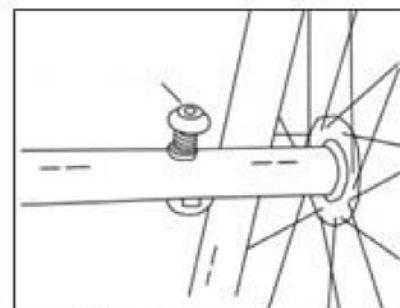
If the dog stays calm, you can extend the ride time step-by-step and cycle without an assistant.

Repeat Step 3 as necessary until your dog gets used to riding in the trailer.

# Assembly

## Step 1: Attaching the wheels

Insert the wheel axle into the the axle tube. The wheels are locked in place when you feel them click into the spring lock on the axle tube. The wheels can be removed simply by pushing the button on the spring lock mechanism on the underside of the axle and pulling them out of the axle tube.

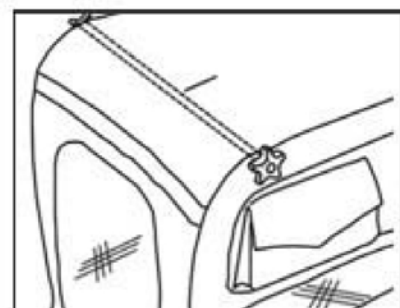


## Step 2: Deploying the tow bar

The trailer is shipped with the tow bar locked in the storage position underneath the trailer. Unlock it by removing the cotter pin from the swivel joint. Put the tow bar into the towing position by swiveling it 180° and snapping it into place in the saddle of the swivel joint. Lock the tow bar into place by re-inserting the cotter pin.

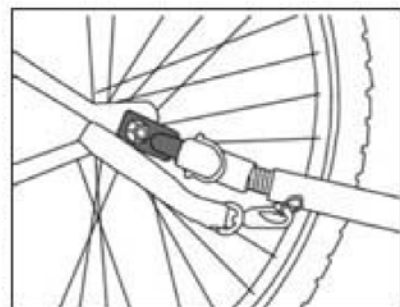
## Step 3: Erecting the cabin

With the wheels resting on the ground, rotate one side panel into a vertical orientation. Position the support rod inside the trailer so one star knob can be inserted through the grommet and frame on the side of the trailer and into the threads on the end of the support rod. Repeat with the other star knob on the other side of the trailer and fully tighten both star knobs.



## Step 4: Connecting to the bicycle

The tow bar connects to the bicycle via the included quick connect hitch. Attach the hitch to the left side of the rear bicycle wheel by removing the axle nut, positioning the hitch on the axle, and re-tightening the axle nut. If your bicycle has a quick release wheel, remove the quick release pin from the axle, insert it through the hitch, then re-assemble through the axle. The hitch should be installed with the male connector piece facing back and angling away from the bicycle.



Position the trailer behind the bicycle so that the female connector on the tow bar can slide over the male connector on the hitch. Lock these connectors in place with the cotter pin. Loop the black safety strap around the bike frame and attach the snap swivel to the D-ring on the tow bar.

## Step 5: Securing of the pet

Load and unload pets only through the rear door with the front door closed and the trailer attached to the bicycle. Have someone hold the bicycle firmly in an upright position, or lay the bicycle on its side.

Always close the rear door before riding.

## (Optional) Strolling Kit for Pet Bicycle Trailer

### Owner's Manual & Instructions

This kit allows you to quickly convert your pet trailer to a pet stroller. Please read through this manual and follow the instructions before and during use.

#### Assembly:

1. Make sure the tow bar is locked into place under the frame.
2. Attach the front wheel assembly: Slide the short square tube on the front wheel over the matching tube at the lower front edge of the trailer cabin. Align the holes in each tube, install the "quick release" pin and tighten fully.
3. Attach the handlebar: Attach the two handlebar mounting tubes to the frame on the rear panel. With the open end of the mounting tube facing up, align the holes on the tube to the holes on the frame. Insert screws through the tube and holes in the frame and attach 10mm nuts from the inside of the cabin. Tighten firmly using a screwdriver and wrench. Slide the ends of the handlebars into the mounting tubes, align the holes and insert the safety pins and lock it.



#### Safety Instructions:

- The trailer/stroller is intended to carry pets only. No human passengers!
- Always stroll or jog with the rear door closed.
- Do not exceed the recommended weight capacity of 60 kg (130 lbs) when used as a trailer or 40 kg (85 lbs) when used as a stroller.
- Check tire inflation before each use.
- Be aware that riding with the trailer increases your braking distance and may affect your ability to control the bicycle. Thoroughly practice in a safe area until you become familiar with it.
- The trailer is equipped with reflectors at the front and rear of the cabin and on each wheel. There is also a reflective strip across the top rear of the cabin. When riding in low light conditions, use a battery powered light on the trailer.
- Never tow the trailer without the hitch and hitch safety strap correctly connected.
- Carefully check the connection of the trailer to the bike before riding.