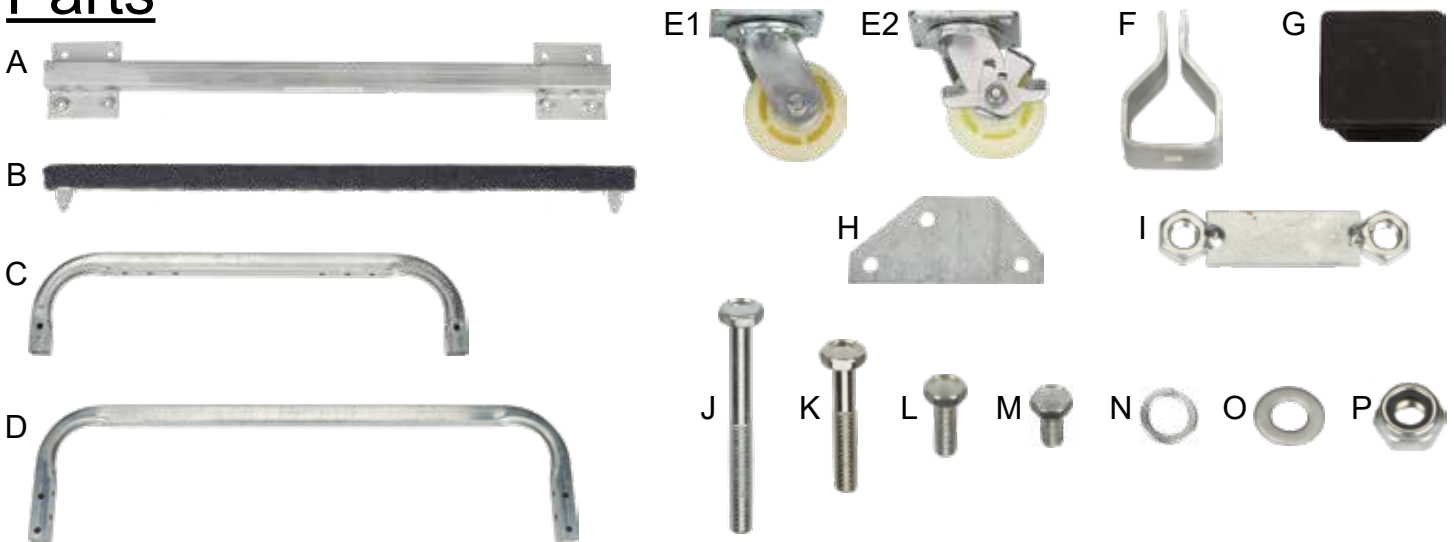


## General Guidelines

- It is the user's responsibility to read and follow all instructions.
- Keep these instructions with the product at all times and review before each use.
- It is the responsibility of this product's owner to furnish the instructions to any person that borrows or purchases the product.
- Inspect the product before use to ensure it is assembled properly and all parts are in safe working order and free of defects.
- Never modify this product in any way.
- Do not exceed the 1,000 lb weight capacity.
- Use caution when using the dolly on an incline.
- All circumstances cannot be addressed in these instructions. Please use common sense and practice general safety measures when using this product.
- Parts and/or instructions are subject to change without notice.

## Parts



Part	Description	Quantity
A	Straight Tube	2
B	Bunk with Under-Plates	2
C	33" Arched Tube	2
D	45" Arched Tube	2
E1	Caster Wheel	2
E2	Caster Wheel with Brake	2
F	Bunk Bracket	4
G	End Cap	8
H	Mounting Plate	8

Part	Description	Quantity
I	Support Bar	4
J	M10x100 Bolt	8
K	M10x60 Bolt	8
L	M10x30 Bolt	16
M	M10x20 Bolt	4
N	M10 Lock Washer	16
O	M10 Washer	56
P	M10 Lock Nut	20

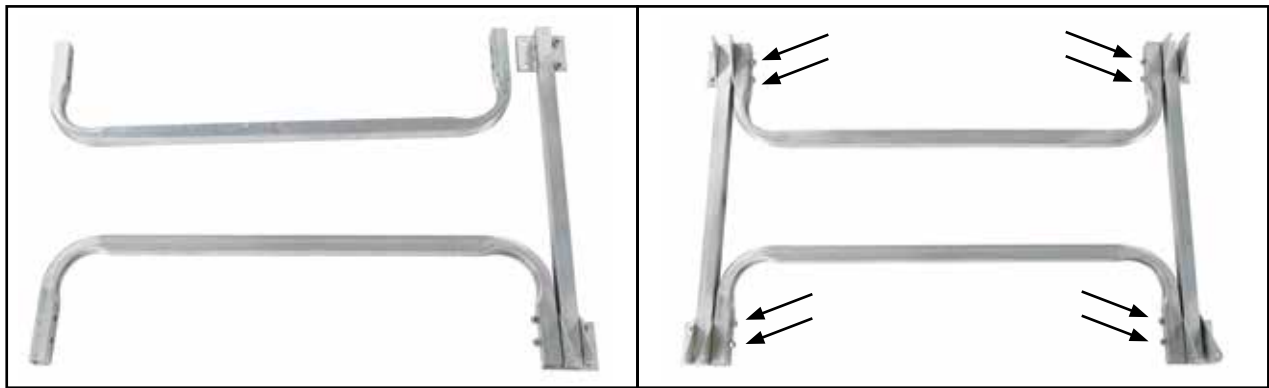
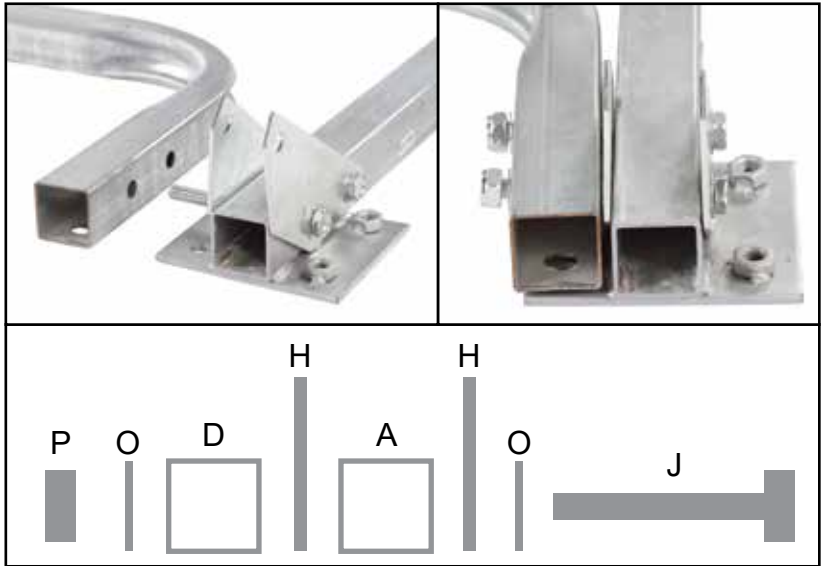
Tools needed: 17mm wrenches, rubber mallet

# Assembly

**Step 1: Assemble the base.** Connect the two 45" arched tubes (D) to the two straight tubes (A) using eight mounting plates (H), eight M10x100 bolts (J), 16 washers (O), and eight lock nuts (P).

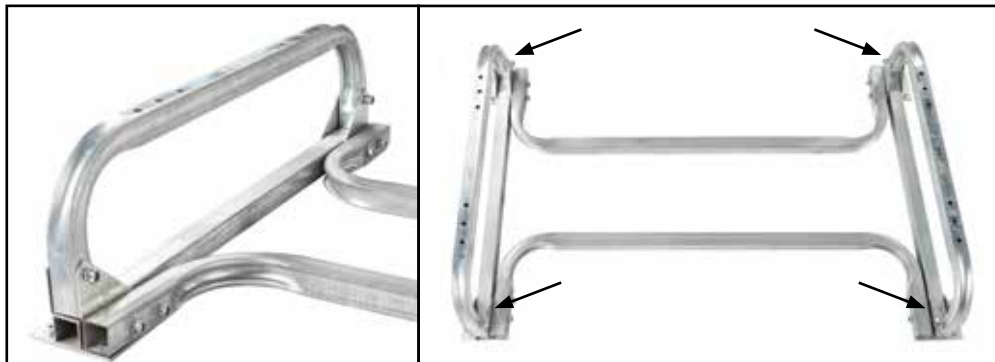
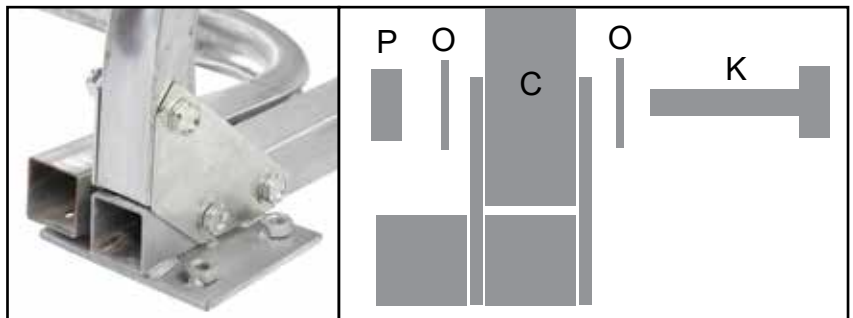
Make sure the curve of the arched tubes is facing inward and that the holes are facing down. The straight bars should be positioned so the attached nuts on the wheel mounting plates are on the outside.

Do not fully tighten the bolts until full assembly is complete to allow for easier adjustments if needed.

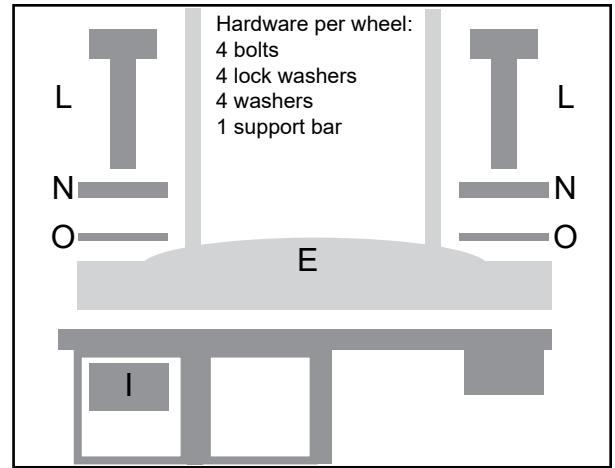


**Step 2: Attach the upper base bars.** Connect the two 33" arched tubes (C) to the mounting plates on the base assembly using four M10x60 bolts (K), eight washers (O), and four lock nuts (P).

Do not fully tighten the bolts until full assembly is complete to allow for easier adjustments if needed.



**Step 3: Attach the wheels.** Turn the base assembly up-side down. Attach the caster wheels (E1, E2) to the wheel mounting plates that are attached to the straight tube using 16 10x30 bolts (L), 16 lock washers (N), 16 washers (O), and four support bars (I). On the outer side of the wheel mounting plate, the bolts and washers secure to the welded-on nuts. For the inner attachment, place the support bar inside the arched tube.



For convenience, make sure both wheels with locking brakes (E2) are on the same long sides.

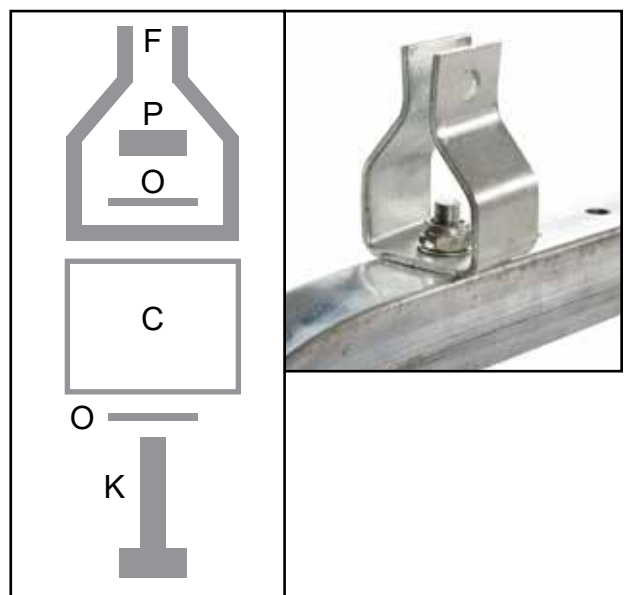


**Step 4:** Insert the eight end caps (G) into the straight bar (A) and arched bar (D) ends. You may need to use a rubber mallet to fully secure them into the ends.



**Step 5: Attach the upper bunk brackets.** Turn the assembly right-side-up. Attach the four bunk brackets (F) to the tops of the arched tubes (C) using four M10x60 bolts (K), eight washers (O), and four lock nuts (P).

Three mounting hole options are available on each side for different sizes of PWC.



**Step 6: Attach the bunks.** Insert the bunk (B) under-plates into the bunk brackets (F). Secure with four M10x20 bolts (M), eight washers (O), and four lock nuts (P).



**Step 7: Make sure all hardware is securely tightened before use.**

---

## Product Warranty and Liability

**GENERAL PRODUCT WARRANTY:** Products purchased from the Authorized Dealer (original place of purchase) or Merchant (“Dealer”) will be free of defects in material and workmanship at the time of receipt, and will meet the specifications stated at the place of purchase transaction or online at the Dealer’s website, under normal use and service when correctly installed, operated and maintained. This product warranty is effective for the period of time stated below, unless otherwise stated in the product instructions or depicted in the product advertisement. **All Authorized Dealer warranties are NON-TRANSFERABLE** and cover only the original end purchaser. This limited warranty does not cover products purchased through non-authorized dealers. Non-authorized dealer receipts are not accepted for warranty verification.

**\*\*\*Warranty claims must be made directly to the original place of purchase.\*\*\***

**WARRANTY PERIOD:** This warranty remains in force for one year from the date of the product’s accepted delivery. The Authorized Dealer offers a one year manufacturer’s warranty for most products unless otherwise specified on the product advertisement.

**WARRANTY SERVICE:** The Authorized Dealer will replace any defective or malfunctioning part at no charge, including payment of the shipping costs of parts or replacement product to and from the manufacturer. The purchaser is responsible for labor charges. If the product does not meet specifications as depicted in the advertisement, the Authorized Dealer will refund the full purchase price of the product.

Questions regarding the warranty on a specific product and warranty claims should be directed to the Authorized Dealer with whom the purchase transaction was made.

**WARRANTY LIMITATIONS:** The above warranty does not apply to products that are repaired, modified or altered by any party other than the Authorized Dealer; are subjected to unusual physical stress or conditions (such as overloaded ramps or corrosion), natural disaster, governmental actions, wars, strikes, labor disputes, riots, theft, vandalism, terrorism or any reason beyond reasonable control; are damaged due to improper installation, misuse, abuse, accident or negligence in use, storage, transportation or handling, or tampering; or to products that are considered consumable items or items requiring repair or replacement due to normal wear and tear.

Product should be inspected prior to signing for delivery. Product damage incurred during shipping, unless noted on the Bill of Lading at the time of delivery, renders this warranty void.

**LIMITED LIABILITY:** In no event shall THE AUTHORIZED DEALER be liable to the purchaser or any third party for any indirect, incidental, consequential, special, exemplary or punitive damages arising out of the use of the product, including, without limitation, property damage, loss of value of the product or any third party products that are used in or with the product, or loss of use of the product or any third party products that are used in or with the product.

**DiscountRAMPS**  
Ramps & so much more