



# Roof Cross Bars

## Instructions for Part # RB-1001-49



## General Guidelines ⚠

- It is the user's responsibility to read and follow all instructions.
- Keep these instructions with the product at all times and review before each use.
- It is the responsibility of this product's owner to furnish the instructions to any person that borrows or purchases the product.
- Inspect the product before use to ensure it is assembled properly and all parts are in safe working order and free of defects.
- Never modify this product in any way.
- All circumstances cannot be addressed in these instructions. Please use common sense and practice general safety measures when using this product.
- Parts and/or instructions are subject to change without notice.

## Safety ⚠

- The roof cross bars have been designed and manufactured to attach securely to a variety of vehicles with rails on the roof. The attachment of the roof cross bars to a vehicle is beyond the control of the manufacturer. The user must therefore ensure that the cross bars are suitable for use with their particular vehicle/rail and that any items are securely and safely attached to the cross bars.
- During the journey, periodically check the attachment of the cross bars to the roof rail. Retighten the knobs if necessary and always lock them with the key. Make sure all the parts are in good condition. Contact an authorized dealer if any part needs attention.
- Always obey the national law about the cross bars.
- The maximum load for the cross bars is 70 kgs (150 lbs). Do not over load! The minimum distance between two cross bars is 40 cm (15 in).
- Reduce speed on rough roads.
- The cross bars are designed for temporary use only; remove when not in use or during the bad weather.
- Failure to obey the guidelines in the instructions will void the warranty.

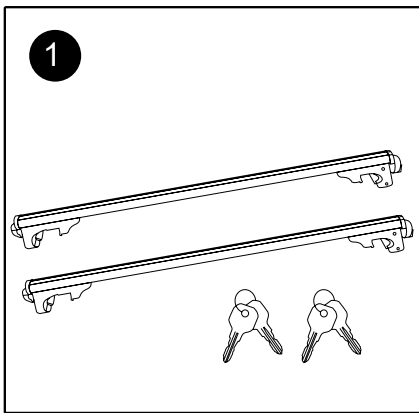
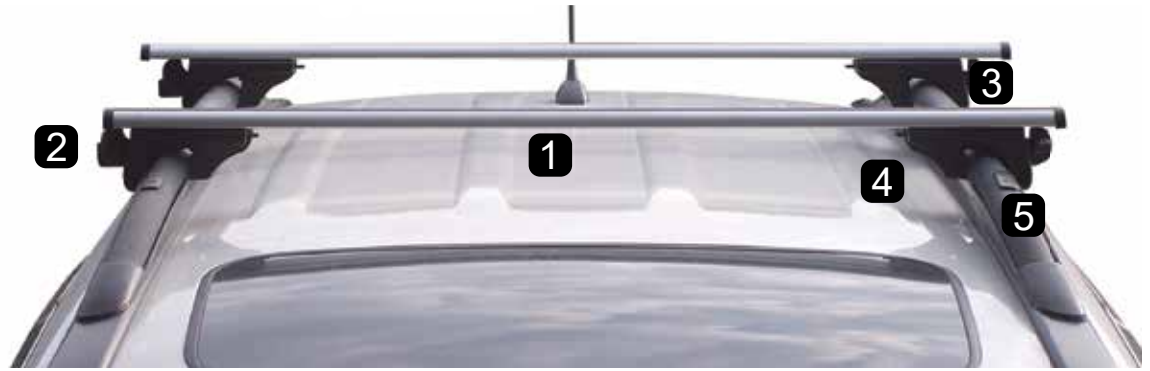
**1** Aluminum double walled aero bar

**2** Locking knob

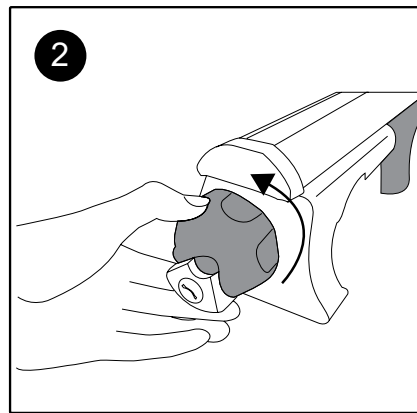
**3** Knob

**4** Inner brace

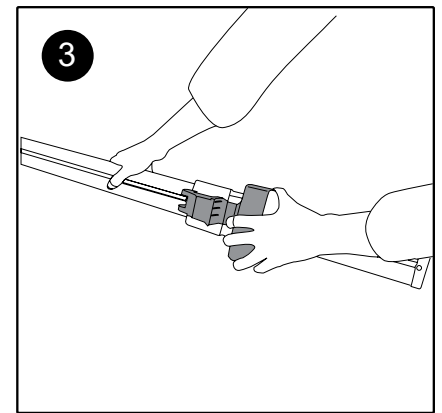
**5** Outer brace



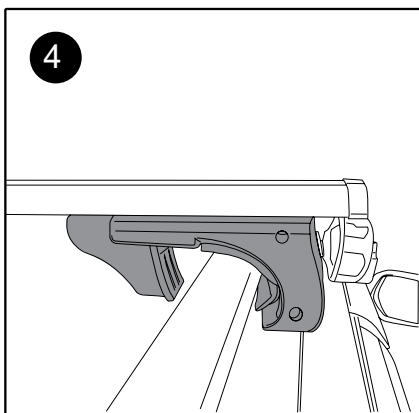
First, check that all items are in the box: two aluminum cross bars and four keys. If any item is lost or needs attention, please contact an authorized dealer for service. The cross bars only fit vehicles equipped with open rails.



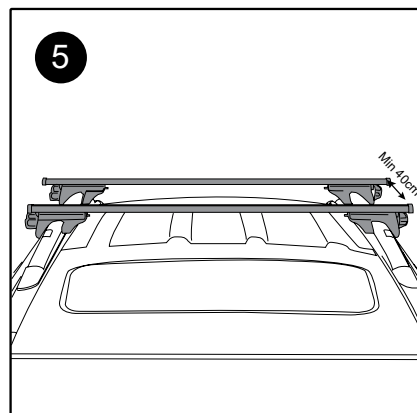
Turn the locking knobs and knobs in a counter-clockwise way to move the inner brace outwardly. If the locking knob is locked, use the key to unlock it.



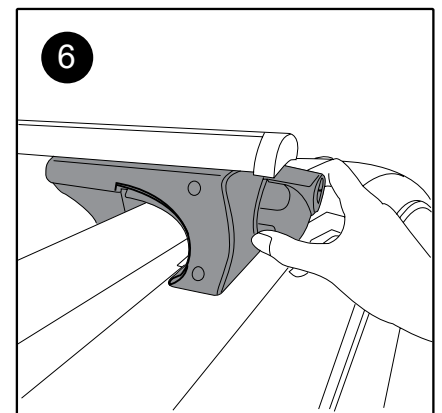
Before mounting the cross bar onto the rails, adjust the braces to the appropriate position according to the location of the rails.



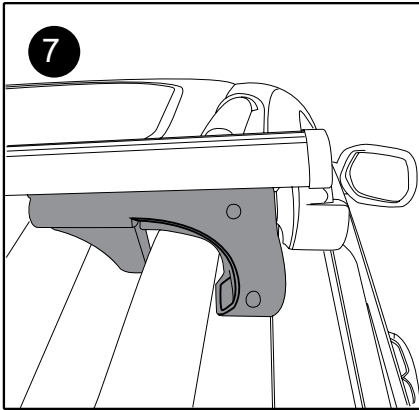
Mount the brace onto the rail and make sure the rail is fully secured between inner and outer brace.



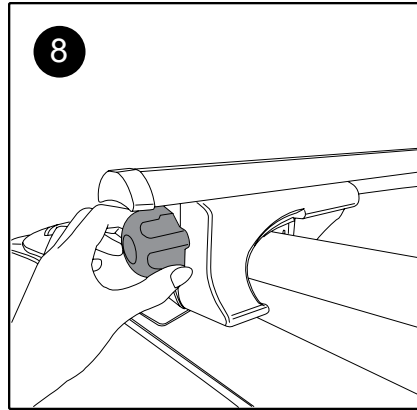
Position the cross bar at the center of the roof. It is required to have the minimum distance of 40 cm between the two cross bars.



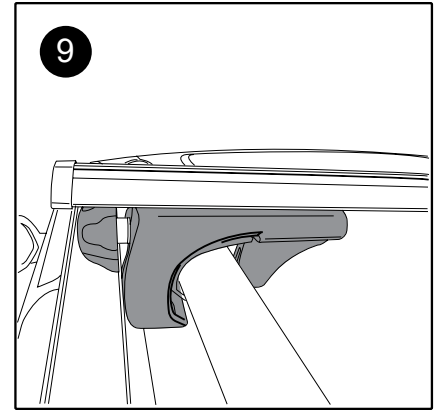
On the one side, the inner brace moves closer to outer brace by turning the locking knob in a clockwise way.



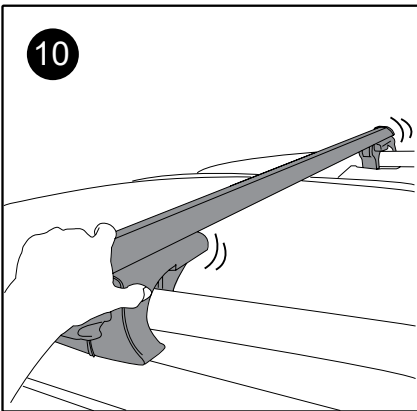
Eventually, the rail is fully secured within the inner and outer brace. Note that the rail should be fitted within the contour line of the outer brace (indicated by red line) and the other side of rail should be firmly against inner brace.



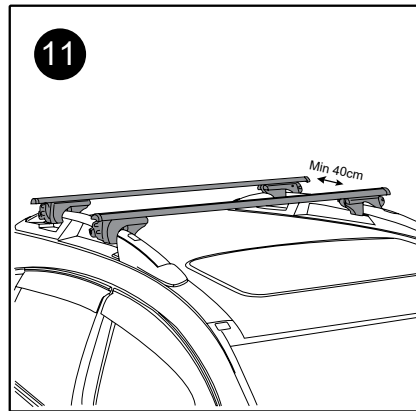
On the other side, the inner brace moves closer to outer brace by turning the knob in a clockwise way.



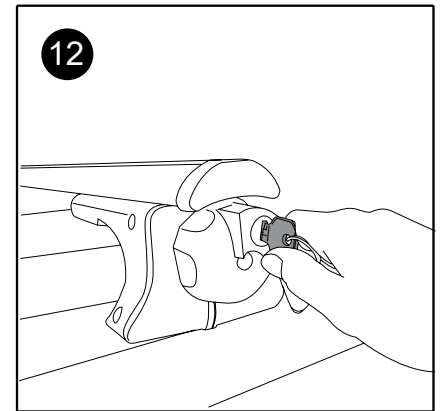
Eventually, the rail is fully secured within the inner and outer brace. Note that the rail should be fitted within the contour line of the outer brace (indicated by red line) and the other side of rail should be firmly against inner brace.



After the two sides of the rail are secured within the inner and outer braces, double check the safety by testing the cross bar by moving it around. If the cross bar is movable, retighten the knobs and locking knobs.



This illustrates the correct installation of cross bar. Make sure they are in the center of roof top, at least 40 cm apart, and fixed firmly on the rails.



To prevent the theft, use the key to turn the locking knob into the close position. Then double check by spinning the locking knobs.

# Product Warranty and Liability

**GENERAL PRODUCT WARRANTY:** Products purchased from the Authorized Dealer (original place of purchase) or Merchant (“Dealer”) will be free of defects in material and workmanship at the time of receipt, and will meet the specifications stated at the place of purchase transaction or online at the Dealer’s website, under normal use and service when correctly installed, operated and maintained. This product warranty is effective for the period of time stated below, unless otherwise stated in the product instructions or depicted in the product advertisement. **All Authorized Dealer warranties are NON-TRANSFERABLE** and cover only the original end purchaser. This limited warranty does not cover products purchased through non-authorized dealers. Non-authorized dealer receipts are not accepted for warranty verification.

**\*\*\*Warranty claims must be made directly to the original place of purchase.\*\*\***

**WARRANTY PERIOD:** This warranty remains in force for one year from the date of the product’s accepted delivery. The Authorized Dealer offers a one year manufacturer’s warranty for most products unless otherwise specified on the product advertisement.

**WARRANTY SERVICE:** The Authorized Dealer will replace any defective or malfunctioning part at no charge, including payment of the shipping costs of parts or replacement product to and from the manufacturer. The purchaser is responsible for labor charges. If the product does not meet specifications as depicted in the advertisement, the Authorized Dealer will refund the full purchase price of the product.

Questions regarding the warranty on a specific product and warranty claims should be directed to the Authorized Dealer with whom the purchase transaction was made.

**WARRANTY LIMITATIONS:** The above warranty does not apply to products that are repaired, modified or altered by any party other than the Authorized Dealer; are subjected to unusual physical stress or conditions (such as overloaded ramps or corrosion), natural disaster, governmental actions, wars, strikes, labor disputes, riots, theft, vandalism, terrorism or any reason beyond reasonable control; are damaged due to improper installation, misuse, abuse, accident or negligence in use, storage, transportation or handling, or tampering; or to products that are considered consumable items or items requiring repair or replacement due to normal wear and tear.

Product should be inspected prior to signing for delivery. Product damage incurred during shipping, unless noted on the Bill of Lading at the time of delivery, renders this warranty void.

**LIMITED LIABILITY:** In no event shall THE AUTHORIZED DEALER be liable to the purchaser or any third party for any indirect, incidental, consequential, special, exemplary or punitive damages arising out of the use of the product, including, without limitation, property damage, loss of value of the product or any third party products that are used in or with the product, or loss of use of the product or any third party products that are used in or with the product.

