



Roof Cross Bars

Instructions for Part #RB-1006-49

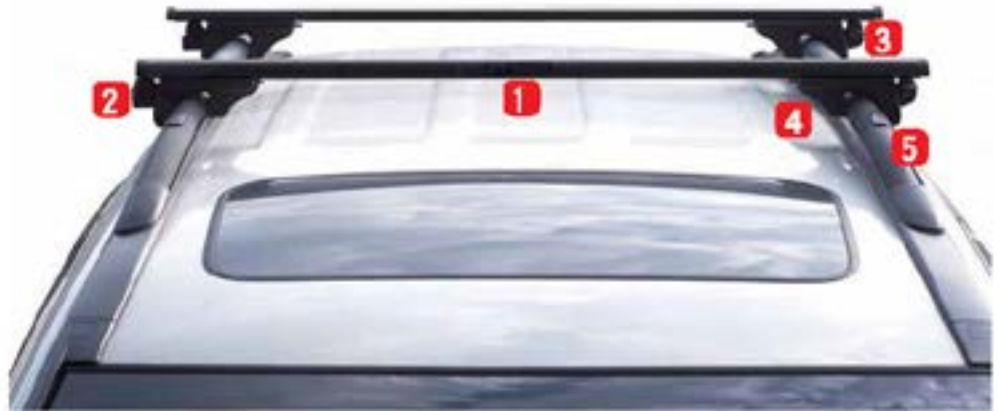


GENERAL GUIDELINES & SAFETY

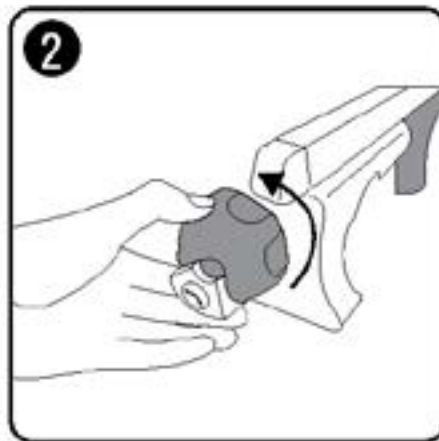
- It is the user's responsibility to read and follow all instructions
- Keep these instructions with the product at all times and review before each use
- It is the responsibility of this product's owner to furnish the instructions to any person that borrows or purchases the product
- Inspect the product before use to ensure it is assembled properly and all parts are in safe working order and free of defects
- Never modify this product in any way
- All circumstances cannot be addressed in these instructions
- Please use common sense and practice general safety measures when using this product
- Parts and/or instructions are subject to change without notice
- The roof cross bars have been designed and manufactured to attach securely to a variety of vehicles with rails on the roof. The attachment of the roof cross bars to a vehicle is beyond the control of the manufacturer. The user must therefore ensure that the cross bars are suitable for use with their particular vehicle/rail and that any items are securely and safely attached to the cross bars.
- During the journey, periodically check the attachment of the cross bars to the roof rail. Retighten the knobs if necessary and always lock them with the key. Make sure all the parts are in good condition. Contact an authorized dealer if any part needs attention.
- Always obey the national law about the cross bars.
- The maximum load for the cross bars is 70 kgs (150 lbs). Do not over load! The minimum distance between two cross bars is 70 cm (28.5 in).
- Reduce speed on rough roads.
- The cross bars are designed for temporary use only; remove when not in use or during the bad weather.
- Failure to obey the guidelines in the instructions will void the warranty.

ASSEMBLY

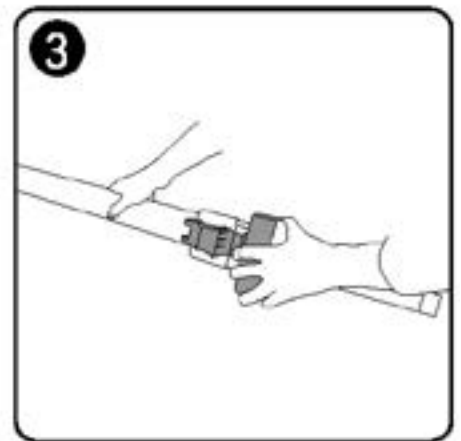
- 1 Reinforced steel bar
- 2 Locking knob
- 3 Knob
- 4 Inner brace
- 5 Outer brace



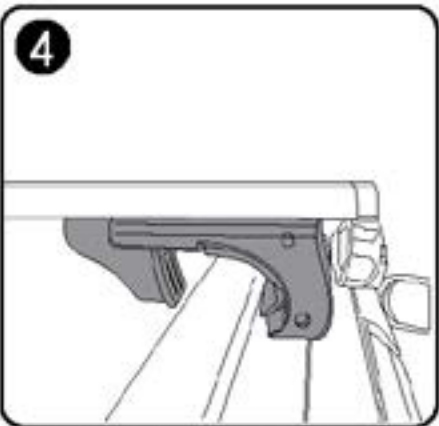
First please check all items in the box: two steel cross bars and keys. Cross bar only fits the vehicles equipped with opened triangular rails.



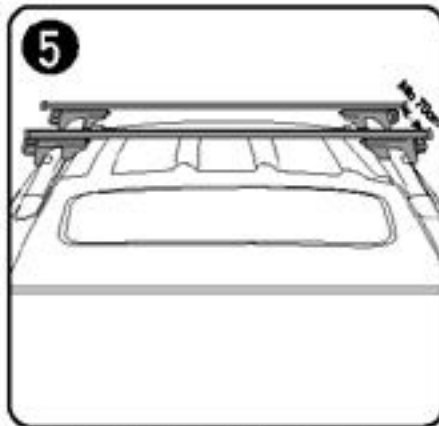
Now turn the locking knobs and knobs in an anti-clockwise way to move inner brace outwardly. If the locking knob is locked, use the key to unlock it.



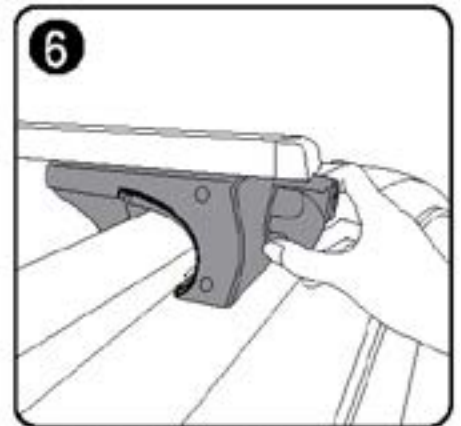
Before mounting cross bar onto the rail, please adjust the appropriate position of braces according to the location of rail.



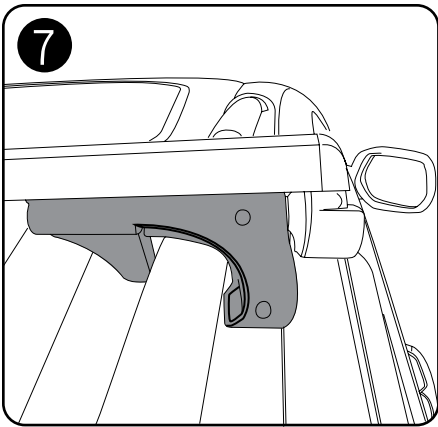
Now mounting the brace onto the rail and make sure the rail is fully secured between inner and outer brace.



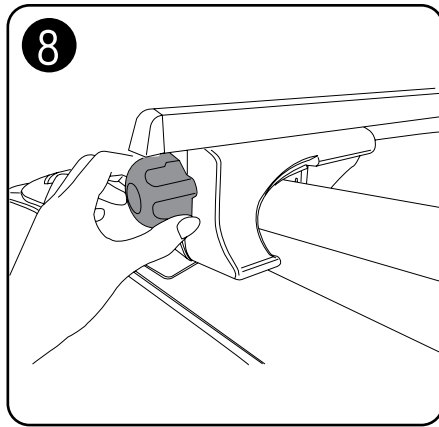
Position the cross bar at the center of the roof. Also it is required to have the minimum distance of 70 cm between two cross bars.



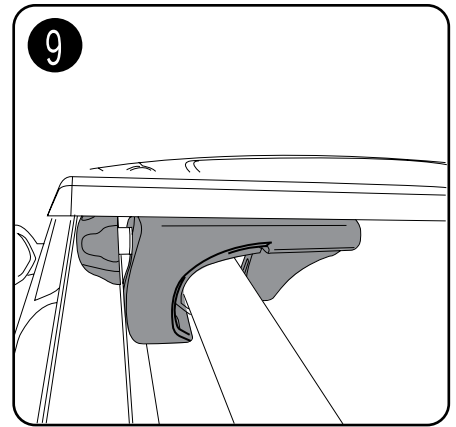
On the one side, the inner brace moves closer to outer brace by turning the locking knob in a clockwise way.



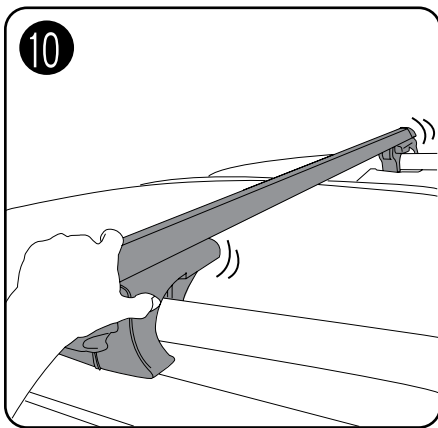
Eventually, the rail is fully secured within the inner and outer brace. Note that the rail should be fitted within the contour line of the outer brace (indicated by highlighted line) and the other side of rail should be firmly against inner brace.



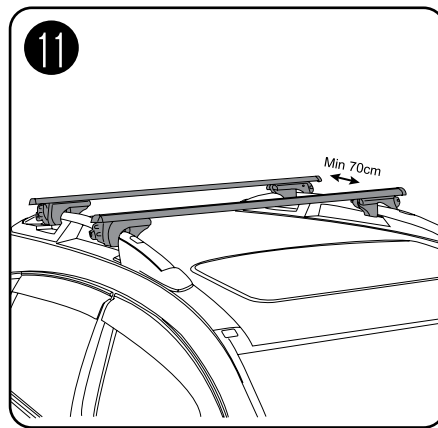
On the other side, the inner brace moves closer to outer brace by turning the knob in a clockwise way.



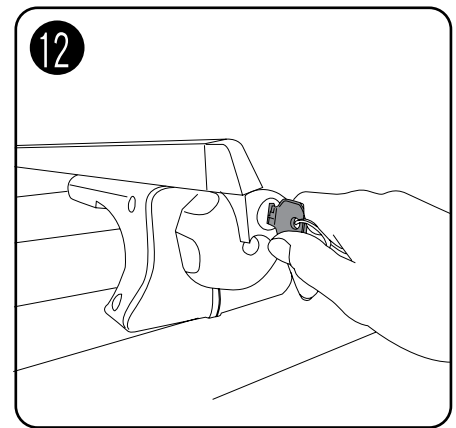
Eventually, the rail is fully secured within the inner and outer brace. Note that the rail should be fitted within the contour line of the outer brace (indicated by highlighted line) and the other side of rail should be firmly against inner brace.



After two sides of rail are secured within the inner and outer braces, double check the safety by testing the cross bar by moving it around. If the cross bar is movable, retighten the knobs and locking knobs until the cross bar is not able to move.

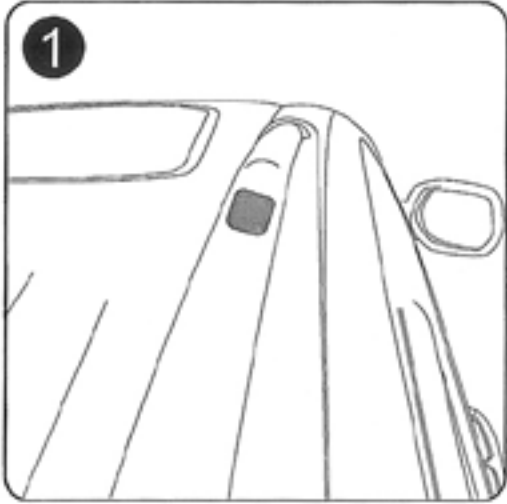


This illustrates the correct installation of cross bar plus. Make sure they are evenly distributed on roof top, at least 70 cm apart, and fixed firmly on the rails.

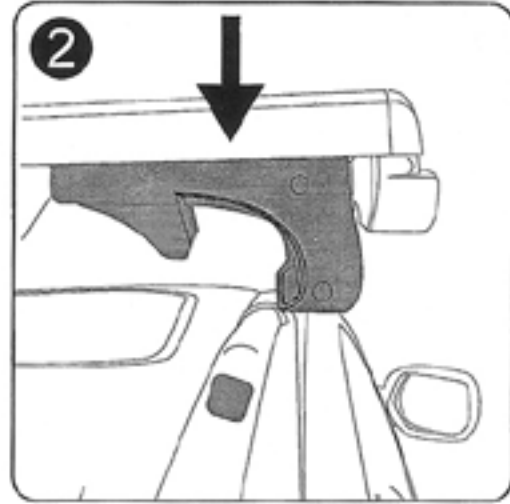


To prevent the theft, use the key to turn the locking knob into close position. Then double check by spinning the locking knobs.

Additional Note



Before installing the cross bar onto the rail, please stick the sliced plastic on the appropriate location on the rail according to the brace's position.



Mount the braces onto the rail and make sure each brace is right on the sliced plastic.

How to Properly Tie Down Roof Cargo

To prevent damage to the vehicle and/or cargo, as well as overcome updraft concerns, it is absolutely imperative to tie-down the cargo extending past the vehicle windshield and rear window. A bow tie-down strap is designed to properly secure cargo to the front vehicle bumper undercarriage. The front strap counteracts air updraft forces preventing cargo from flying upward or off the vehicle during travel. To balance the roof cargo load a stern tie-down strap is also required which connects the cargo to the rear bumper undercarriage.



Important Safety Precautions:

- Ensure cargo stored on a vehicle roof does not obstruct driver viewing through the windshield or rear-view mirror
- Do not transport any cargo wider than the vehicle roof
- Tie-down longer cargo with a bow and stern strap
- Attach bow and stern straps to a solid tie-down point, do not hook to plastic or flimsy bumpers
- Secure roof cargo to the roof rack and side rails
- Check all tie-down connections periodically on travel stops
- Use a cargo net to tie-down all small or loose articles stored on a roof rack

Loading and Securing Items

Securing a roof rack to a vehicle and securing cargo or other items to the roof rack is the sole responsibility of the rack owner. It is highly important for the rack owner to follow all safety precautions to ensure the roof rack and the attached cargo is properly secured for transport both for their own safety and for the safety of others on the road. Be sure to:

- Clean the roof surface before placing a rack or items for travel
- Place item directly centered onto rack
- Attach item to the rack with rope or tie-down straps
- Attach a **front and rear** line rope or strap from the item to the **front and rear** of the vehicle (Bow & Stern tie-down)
- Protect paint with a pad or cloth where the extended Bow & Stern lines touch the vehicle.
- Recheck item and rack attachment occasionally during use

WARNING: The attachment of this rack is critical and beyond the control of the rack manufacturer. The manufacturer is not responsible for its attachment or installation. We neither guarantee nor are liable for any damages resulting from its attachment or use. Liability of this rack is limited to its purchase price.

PRODUCT WARRANTY & LIABILITY

GENERAL PRODUCT WARRANTY: Products purchased from the Authorized Dealer (original place of purchase) or Merchant ("Dealer") will be free of defects in material and workmanship at the time of receipt, and will meet the specifications stated at the place of purchase transaction or online at the Dealer's website, under normal use and service when correctly installed, operated and maintained. This product warranty is effective for the period of time stated below, unless otherwise stated in the product instructions or depicted in the product advertisement. All Authorized Dealer warranties are NON-TRANSFERABLE and cover only the original end purchaser. This limited warranty does not cover products purchased through non-authorized dealers. Non-authorized dealer receipts are not accepted for warranty verification.

*****WARRANTY CLAIMS MUST BE MADE DIRECTLY TO THE ORIGINAL PLACE OF PURCHASE.*****

WARRANTY PERIOD: This warranty remains in force for one year from the date of the product's accepted delivery. The Authorized Dealer offers a one year manufacturer's warranty for most products unless otherwise specified on the product advertisement.

WARRANTY SERVICE: The Authorized Dealer will replace any defective or malfunctioning part at no charge, including payment of the shipping costs of parts or replacement product to and from the manufacturer. The purchaser is responsible for labor charges. If the product does not meet specifications as depicted in the advertisement, the Authorized Dealer will refund the full purchase price of the product.

Questions regarding the warranty on a specific product and warranty claims should be directed to the Authorized Dealer with whom the purchase transaction was made.

WARRANTY LIMITATIONS: The above warranty does not apply to products that are repaired, modified or altered by any party other than the Authorized Dealer; are subjected to unusual physical stress or conditions (such as overloaded ramps or corrosion), natural disaster, governmental actions, wars, strikes, labor disputes, riots, theft, vandalism, terrorism or any reason beyond reasonable control; are damaged due to improper installation, misuse, abuse, accident or negligence in use, storage, transportation or handling, or tampering; or to products that are considered consumable items or items requiring repair or replacement due to normal wear and tear.

Product should be inspected prior to signing for delivery. Product damage incurred during shipping, unless noted on the Bill of Lading at the time of delivery, renders this warranty void.

LIMITED LIABILITY: In no event shall **THE AUTHORIZED DEALER** be liable to the purchaser or any third party for any indirect, incidental, consequential, special, exemplary or punitive damages arising out of the use of the product, including, without limitation, property damage, loss of value of the product or any third party products that are used in or with the product, or loss of use of the product or any third party products that are used in or with the product.

