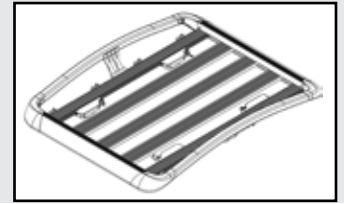




Aluminum Roof Cargo Basket Instructions for Part # RB-10101218



General Guidelines ⚠️

- It is the user's responsibility to read and follow all instructions.
- Keep these instructions with the product at all times and review before each use.
- It is the responsibility of this product's owner to furnish the instructions to any person that borrows or purchases the product.
- Inspect the product before use to ensure it is assembled properly and all parts are in safe working order and free of defects.
- Never modify this product in any way.
- All circumstances cannot be addressed in these instructions. Please use common sense and practice general safety measures when using this product.
- Do not use this product for any purpose other than that for which it is intended.
- Parts and/or instructions are subject to change without notice.

Safety ⚠️

- The roof basket has been designed to attach securely to a variety of vehicles with cross bars on the roof. The attachment of the cargo basket to a vehicle is beyond the control of the manufacturer. The user must therefore ensure that the roof basket is suitable for use with their particular cross bars and that any items are securely and safely attached to the roof basket.
- Do not exceed the weight capacity of 200 lbs. Make sure the total load does not exceed the capacity of the vehicle.
- Vehicle cross bars should be between 24" and 36-1/4" apart.
- Distribute weight evenly on the roof basket. Make sure all cargo is properly secured with appropriate tie down straps (sold separately).
- Always make sure basket attachment clamps are locked before traveling. All locks must be turned and moved periodically to ensure smooth operation. The locks are designed to deter vandalism and theft, but should not be considered theft-proof. Remove valuable gear if your vehicle is unattended for an extended period. Place at least one key in the glove compartment or other safe area.
- During travel, periodically check the attachment of the roof basket, all hardware, and the attachment of cargo. Re-tighten if necessary.
- Inspect the carrier to make sure all parts are in good condition. Do not use if damaged.
- Drive with extra caution while using the roof basket. Reduce speed on rough roads. Be aware of the added height to the vehicle. Comply with any local laws regarding the roof basket or cargo.
- The roof basket is designed for temporary use only. Remove when not in use, during bad weather, or before entering an automatic car wash.

Parts



M6x20 12x



M6x16 2x



M6x10 8x



Size=4mm 1x



2x



2x



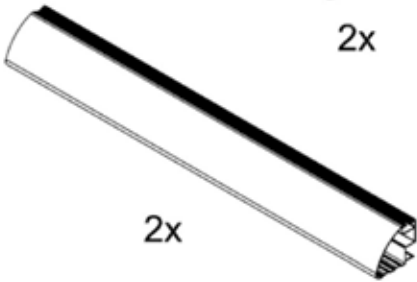
2x



2x



2x



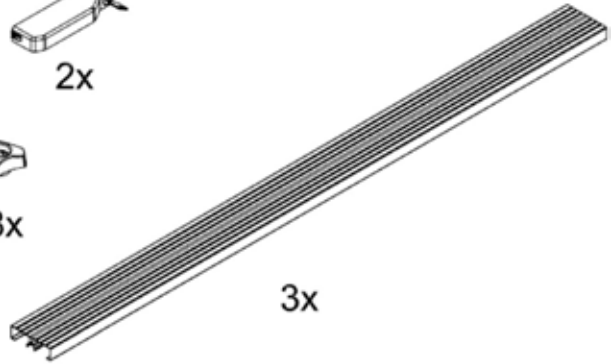
2x



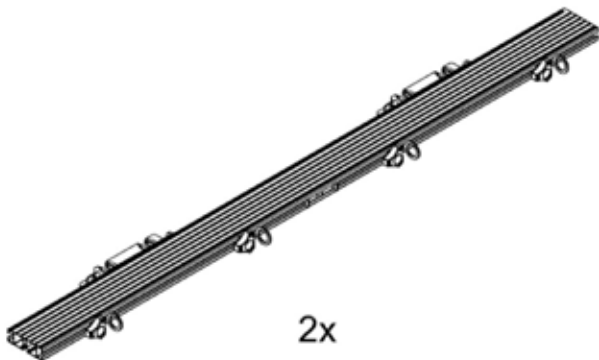
4x



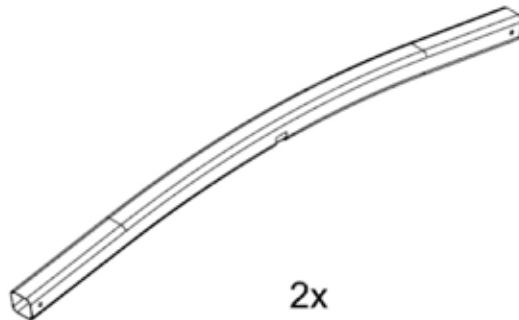
8x



3x



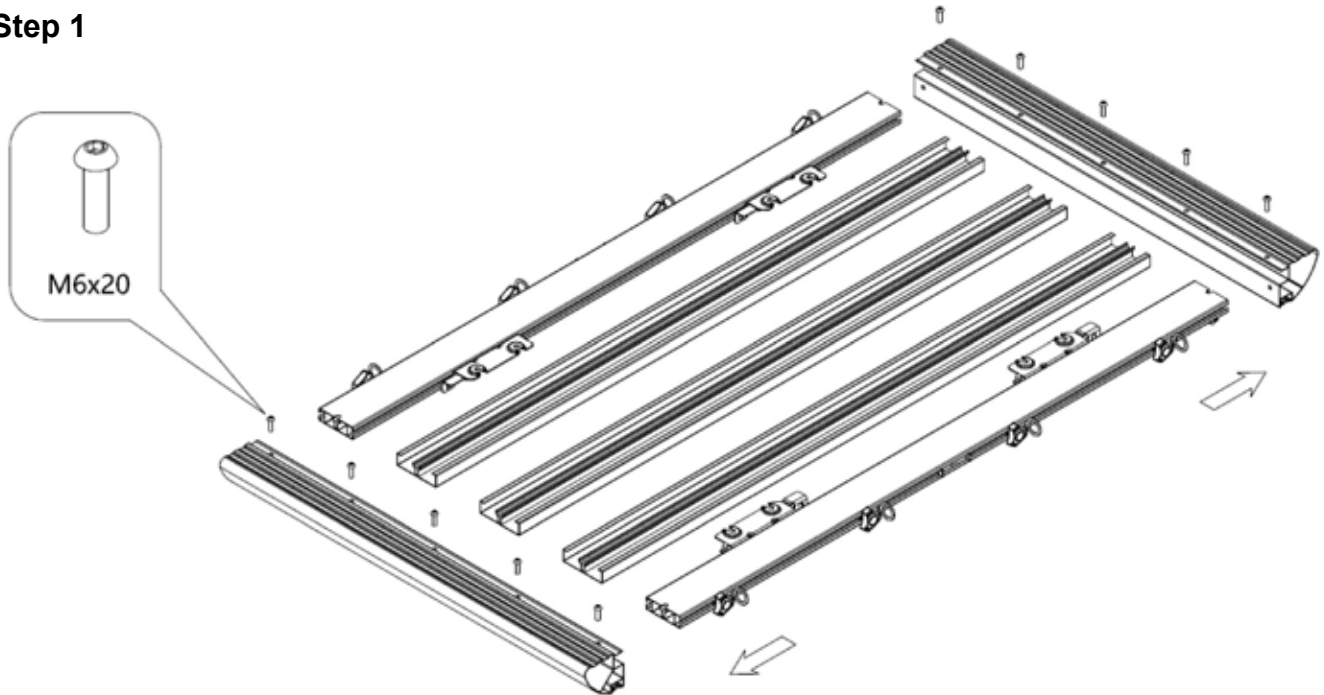
2x



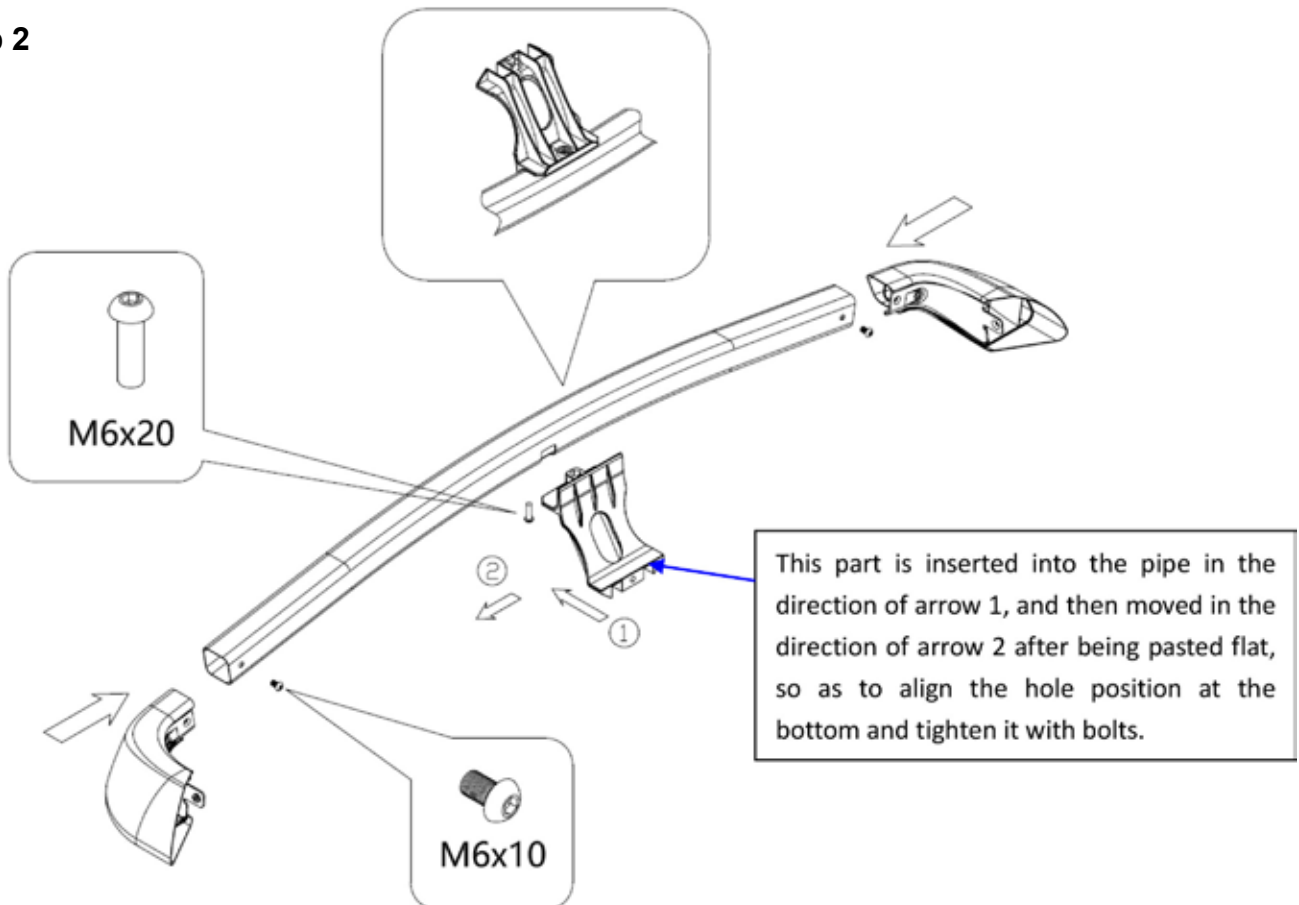
2x

Assembly and Installation

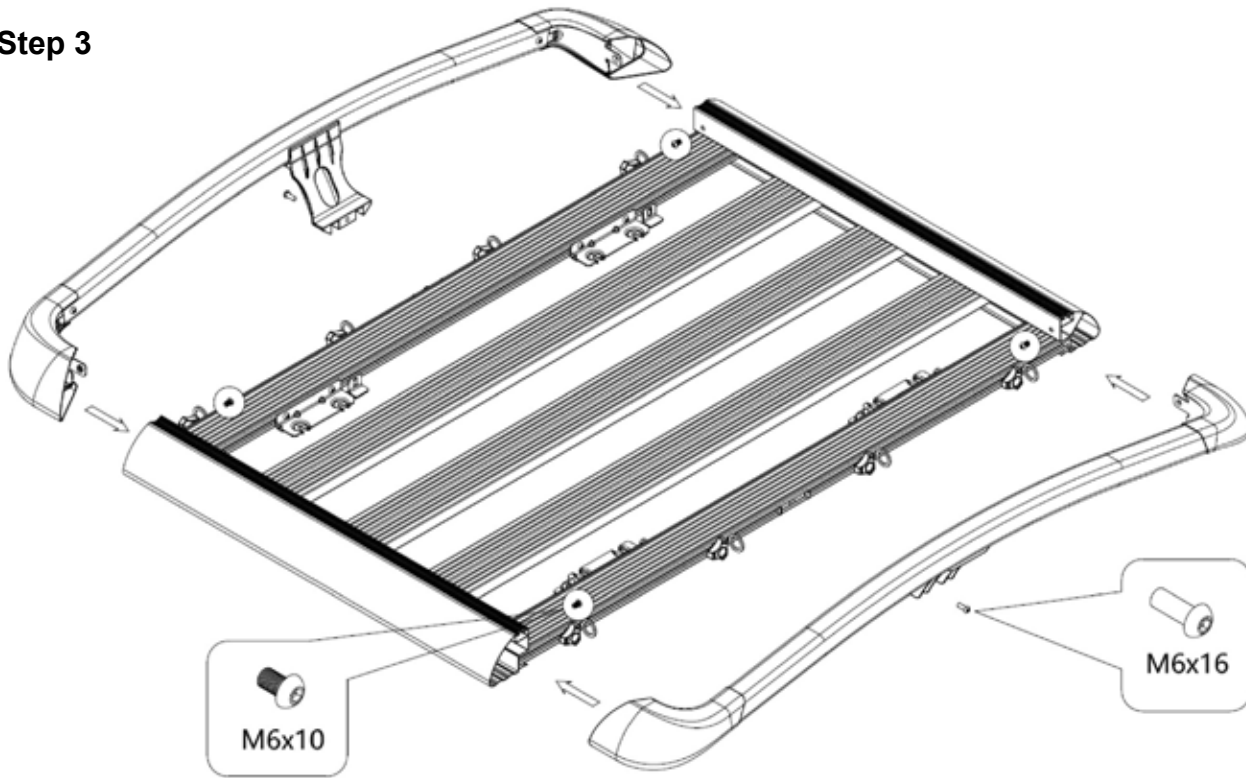
Step 1



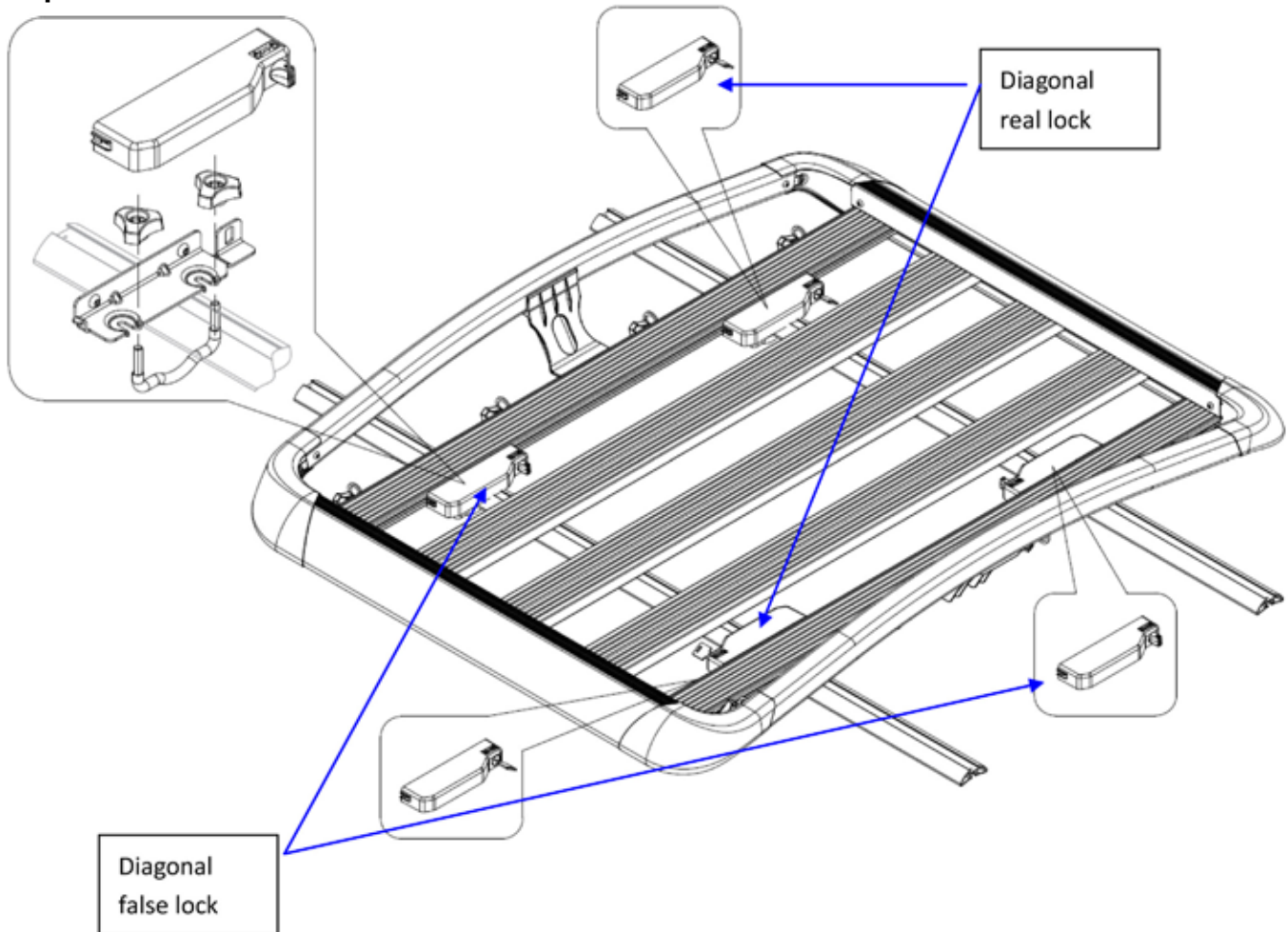
Step 2



Step 3



Step 4



Product Warranty and Liability

GENERAL PRODUCT WARRANTY: Products purchased from the Authorized Dealer (original place of purchase) or Merchant (“Dealer”) will be free of defects in material and workmanship at the time of receipt, and will meet the specifications stated at the place of purchase transaction or online at the Dealer’s website, under normal use and service when correctly installed, operated and maintained. This product warranty is effective for the period of time stated below, unless otherwise stated in the product instructions or depicted in the product advertisement. **All Authorized Dealer warranties are NON-TRANSFERABLE** and cover only the original end purchaser. This limited warranty does not cover products purchased through non-authorized dealers. Non-authorized dealer receipts are not accepted for warranty verification.

*****Warranty claims must be made directly to the original place of purchase.*****

WARRANTY PERIOD: This warranty remains in force for one year from the date of the product’s accepted delivery. The Authorized Dealer offers a one year manufacturer’s warranty for most products unless otherwise specified on the product advertisement.

WARRANTY SERVICE: The Authorized Dealer will replace any defective or malfunctioning part at no charge, including payment of the shipping costs of parts or replacement product to and from the manufacturer. The purchaser is responsible for labor charges. If the product does not meet specifications as depicted in the advertisement, the Authorized Dealer will refund the full purchase price of the product.

Questions regarding the warranty on a specific product and warranty claims should be directed to the Authorized Dealer with whom the purchase transaction was made.

WARRANTY LIMITATIONS: The above warranty does not apply to products that are repaired, modified or altered by any party other than the Authorized Dealer; are subjected to unusual physical stress or conditions (such as overloaded ramps or corrosion), natural disaster, governmental actions, wars, strikes, labor disputes, riots, theft, vandalism, terrorism or any reason beyond reasonable control; are damaged due to improper installation, misuse, abuse, accident or negligence in use, storage, transportation or handling, or tampering; or to products that are considered consumable items or items requiring repair or replacement due to normal wear and tear.

Product should be inspected prior to signing for delivery. Product damage incurred during shipping, unless noted on the Bill of Lading at the time of delivery, renders this warranty void.

LIMITED LIABILITY: In no event shall THE AUTHORIZED DEALER be liable to the purchaser or any third party for any indirect, incidental, consequential, special, exemplary or punitive damages arising out of the use of the product, including, without limitation, property damage, loss of value of the product or any third party products that are used in or with the product, or loss of use of the product or any third party products that are used in or with the product.

