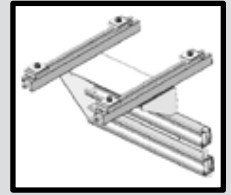




Instruction Manual: Clamp-On Ramp Storage Hangers



Safety Instructions

SAFETY INSTRUCTIONS

ATTENTION

1. When using Clamp-On Stand Storage Hangers, it is the user's responsibility to read and follow all instructions.
2. Contact your distributor if you do not understand or are unsure about how to install or use the Storage Hangers.
3. Keep these instructions with the product at all times and review these instructions before each use.
4. It is the responsibility of this product's owner to furnish these instructions to any person that borrows, uses or purchases the product.
5. **CAUTION** Inspect the product before each use to ensure it is assembled properly, and visually confirm that all surfaces, weld points and parts are in safe working order and free of bends, cracks and defects. If you observe a material failure or damage, do not use the Storage Hangers.
6. **WARNING** Never alter or modify the Storage Hangers in any way.
7. **WARNING** Improper installation or loading and securing Ramp Stands on the Storage Hangers may result in unsecure cargo which may result in serious injury, death or property damage to the user or others.
8. **CAUTION** Use CAUTION when installing, uninstalling, using, securing and storing Ramp Stands.
9. **CAUTION** All circumstances cannot be addressed in these instructions. Please use common sense and practice general safety measures when using this product.
10. Parts and/or instructions are subject to change without notice.

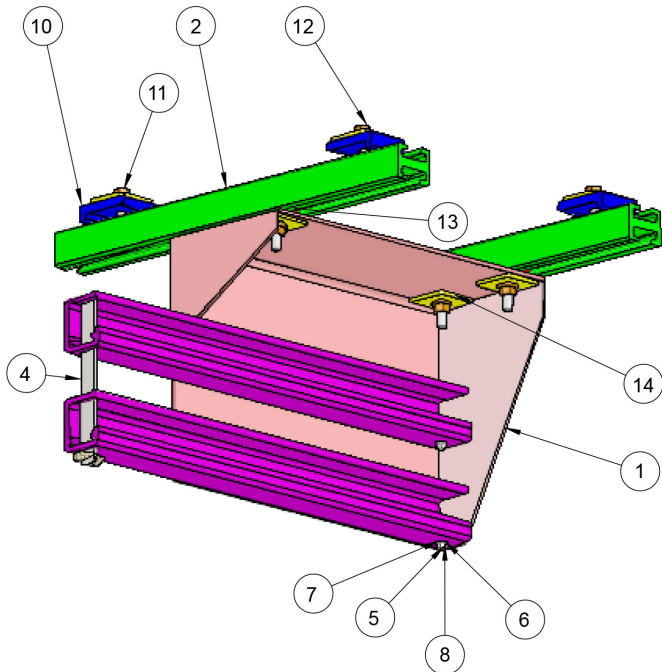
CAUTION



1. Storage Hangers are designed for use with Ramp Stands only.
2. Each Storage Hanger set is designed to hold one Ramp.
3. Ramp hangers must be secured before travel. A padlock should be used for security.
4. When installing Storage Hanger, secure all hardware to 100 ft/lbs. Check hardware tightness every week.

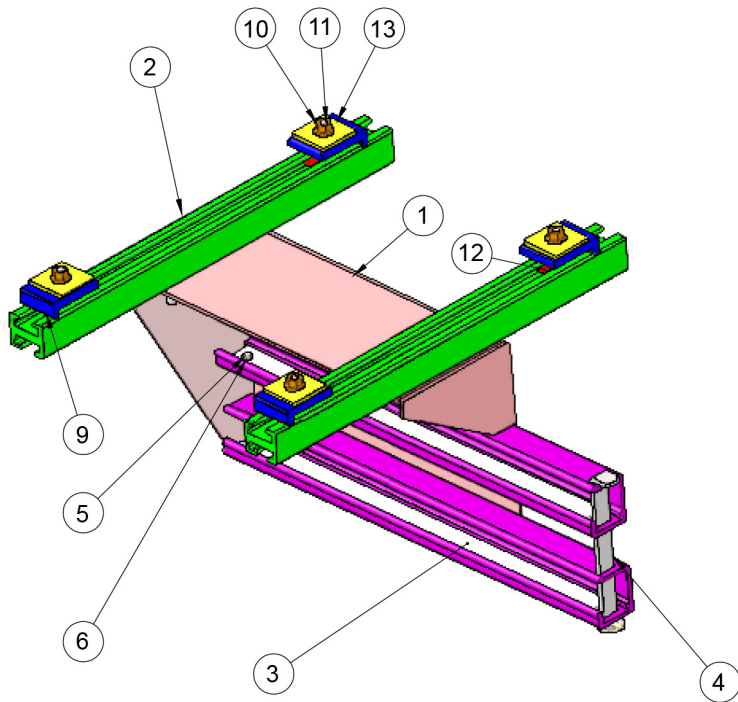
Parts & Assembly

Left Hanger



ITEM NO.	DESCRIPTION	QTY.
1	Ramp Hanger Weldment	1
2	Crossmember Hanger x 26"L	2
3	Q7588 UHMW Ramp Slider x 26 3/4" L	1
4	9.5" Lynch Pin Assembly	1
5	1/4-20 Hex Bolt x 7/8"L	2
6	1/4" Washer	4
7	1/4" Lock Washer	2
8	1/4-20 Hex Nut	2
9	Q7588 UHMW Ramp Slider x 26 3/4" L	1
10	Hanger Clamp	4
11	1/2-13 UNC threaded stud x 2.5"L	8
12	1/2-13 Flanged Lock Nut	8
13	Pick-Up Rail T-Nut x 1 1/2" L	8
14	2 1/2" Sq Washer x 3/16" TH, plated tool steel	8

Right Hanger



ITEM NO.	DESCRIPTION	QTY.
1	Ramp Hanger Weldment	1
2	Crossmember Hanger x 26"L	2
3	Q7588 UHMW Ramp Slider x 26 3/4" L	2
4	9.5" Lynch Pin Assembly	1
5	1/4-20 Hex Bolt x 7/8" L	2
6	1/4" Washer	4
7	1/4" Lock Washer	2
8	1/4" Lock Washer	2
9	Hanger Clamp	4
10	1/2-13 UNC threaded stud x 2.5"L	8
11	1/2-13 Flanged Lock Nut	8
12	Pick-Up Rail T-Nut x 1 1/2" L	8
13	2 1/2" Sq Washer x 3/16" TH, plated tool steel	8

Installation

1. The ramp hangers clamp on to I-beams or C-channels already installed underneath the trailer deck. Measure the distance between these beams to ensure the ramps to be used with the hangers will fit properly.

*The outside of the ramp hangers should be set to 97.5" in order to fit the 96"L pin-on load leveler ramps.

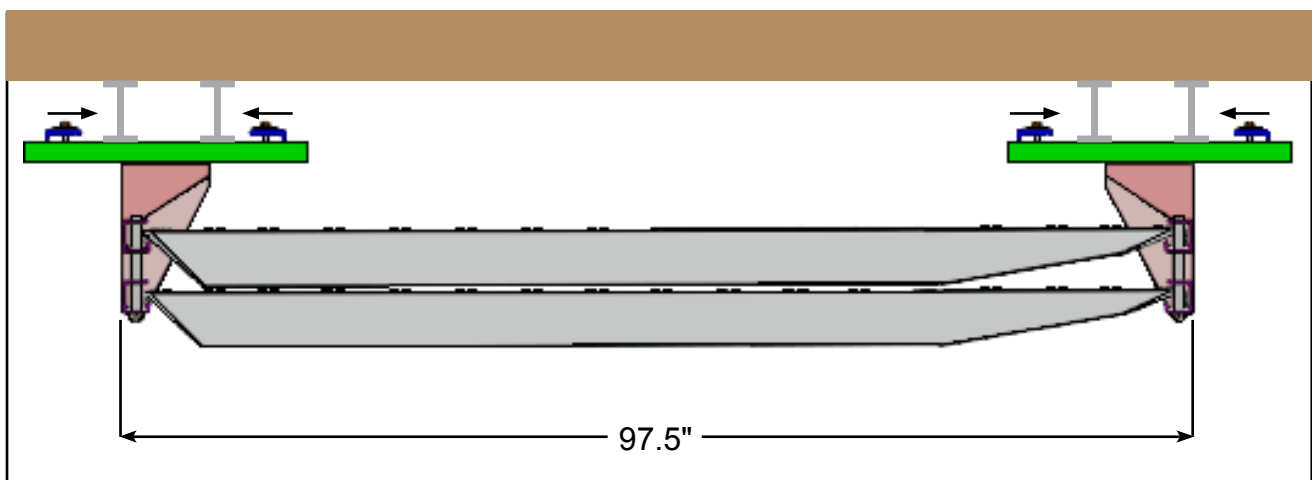
2. Loosen the hanger clamps enough to allow them to fit around the bottom flange of the I-beams or C-channels. Position the ramp hangers so that the cross-member hangers are parallel to the trailer deck, allowing the ramp sliders to be open to the side of the trailer.
3. Fit the hanger clamps onto the I-beams or C-channels, ensuring they are tight against the beam. Make sure the ramps will fit properly in the hangers, re-measuring if necessary. The cross-members can be adjusted if needed.
4. Once everything is properly aligned, tighten hardware securely with a 3/4" wrench to 100 ft/lbs.

5. **CAUTION** Recheck all steps above to make certain the Ramp Stand is properly installed and secured correctly.

6. After installation, ramps may be loaded into the hangers. Remove the lynch pin to allow the ramps to fit into the ramp sliders. Replace and secure the lynch pin.



WARNING All bolts should be checked on a weekly basis to ensure tightness.



Product Warranty and Liability

GENERAL PRODUCT WARRANTY: Products purchased from the Authorized Dealer (original place of purchase) or Merchant (“Dealer”) will be free of defects in material and workmanship at the time of receipt, and will meet the specifications stated at the place of purchase transaction or online at the Dealer’s website, under normal use and service when correctly installed, operated and maintained. This product warranty is effective for the period of time stated below, unless otherwise stated in the product instructions or depicted in the product advertisement. **All Authorized Dealer warranties are NON-TRANSFERABLE and cover only the original end purchaser.** This limited warranty does not cover products purchased through non-authorized dealers. Non-authorized dealer receipts are not accepted for warranty verification.

*****Warranty claims must be made directly to the original place of purchase.*** WAR-**

RANTY PERIOD: This warranty remains in force for one year from the date of the products accepted delivery. The Authorized Dealer offers a one year manufacturer’s warranty for most products unless otherwise specified on the product advertisement.

WARRANTY SERVICE: The Authorized Dealer will replace any defective or malfunctioning part at no charge, including payment of the shipping costs of parts or replacement product to and from the manufacturer. The purchaser is responsible for labor charges. If the product does not meet specifications as depicted in the advertisement, the Authorized Dealer will refund the full purchase price of the product.

Questions regarding the warranty on a specific product and warranty claims should be directed to the Authorized Dealer with whom the purchase transaction was made.

WARRANTY LIMITATIONS: The above warranty does not apply to products that are repaired, modified or altered by any party other than the Authorized Dealer; are subjected to unusual physical stress or conditions (such as overloaded ramps or corrosion), natural disaster, governmental actions, wars, strikes, labor disputes, riots, theft, vandalism, terrorism or any reason beyond reasonable control; are damaged due to improper installation, misuse, abuse, accident or negligence in use, storage, transportation or handling, or tampering; or to products that are considered consumable items or items requiring repair or replacement due to normal wear and tear.

Product should be inspected prior to signing for delivery. Product damage incurred during shipping, unless noted on the Bill of Lading at the time of delivery, renders this warranty void.

LIMITED LIABILITY: In no event shall THE AUTHORIZED DEALER be liable to the purchaser or any third party for any indirect, incidental, consequential, special, exemplary or punitive damages arising out of the use of the product, including, without limitation, property damage, loss of value of the product or any third party products that are used in or with the product, or loss of use of the product or any third party products that are used in or with the product.

