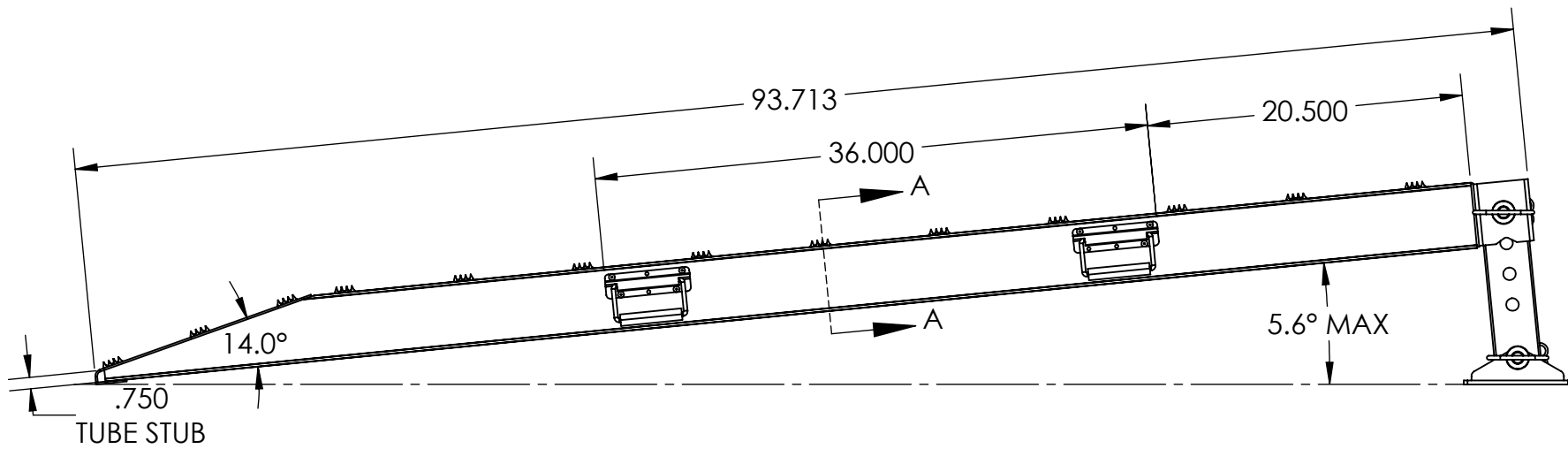


SECTION A-A



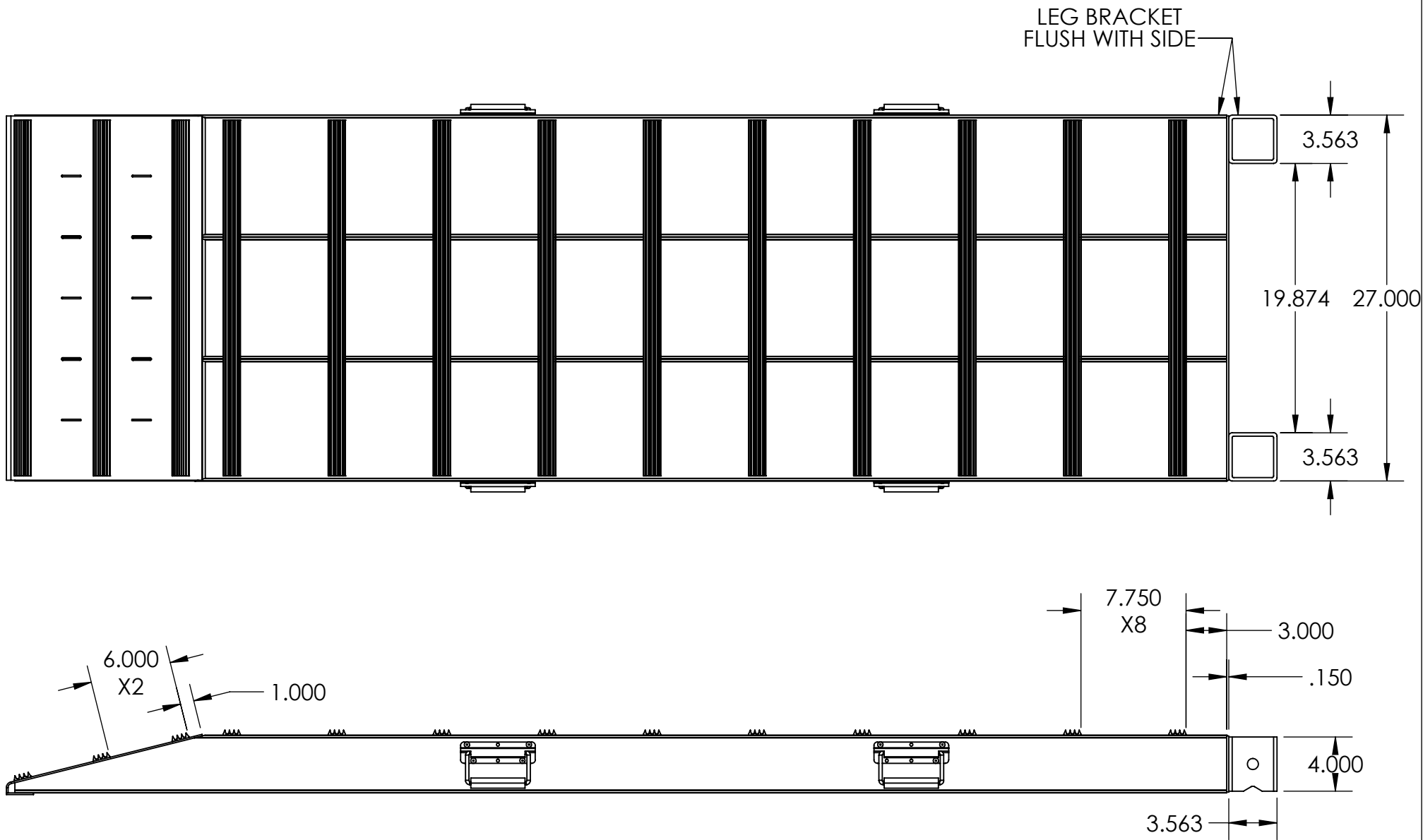
DESCRIPTION:
S 40 27 090 RISER



DRAWN BY: MNL

SPECIFICATIONS		PART #		
LENGTH	90"	S 40 27 090 RISER		
WIDTH	27"			
HEIGHT	6 1/16" - 12"	MATERIAL: -	10/14/2022	REV
CAPACITY	40,000 LBS		QUOTE #	
WEIGHT	150 LBS EACH		PATENT #: -	Q10116

This drawing is the property of Heavy Duty Ramps. This drawing is not to be made public, copied, duplicated or shown to any unauthorized party. The information contained on this drawing is confidential and proprietary. This drawing must be returned, after the use thereof is completed. All intellectual property rights reserved.



DESCRIPTION:
Q10116 RAMP STRUCTURE

SHEET 2 OF 10



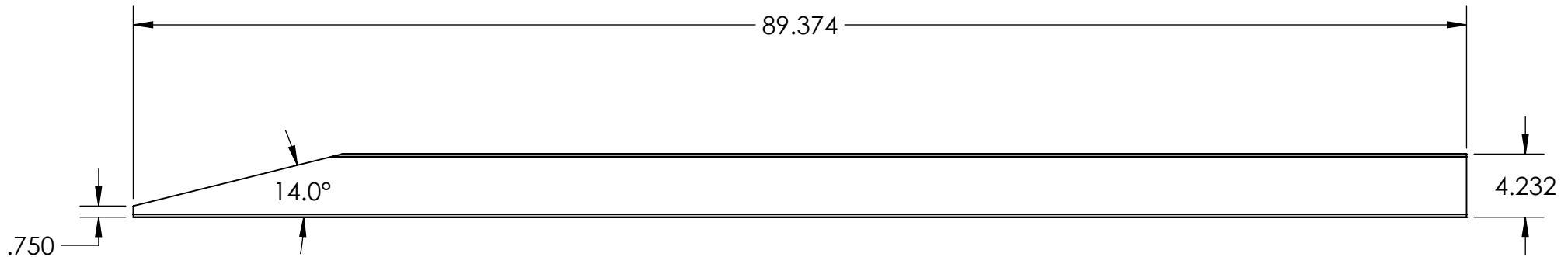
DRAWN BY: MNL

SPECIFICATIONS		PART #	
LENGTH	-	MATERIAL: -	10/14/2022
WIDTH	-		QUOTE #
HEIGHT	-	PATENT #: -	Q10116
CAPACITY	-		REV
WEIGHT	-		-

This drawing is the property of Heavy Duty Ramps. This drawing is not to be made public, copied, duplicated or shown to any unauthorized party. The information contained on this drawing is confidential and proprietary. This drawing must be returned, after the use thereof is completed. All intellectual property rights reserved.



beam must be cut as shown above. Center with 3 ribs must be at top of angle cut.



DESCRIPTION:
Q10116 4.25" X 9" TRUSS TUBE

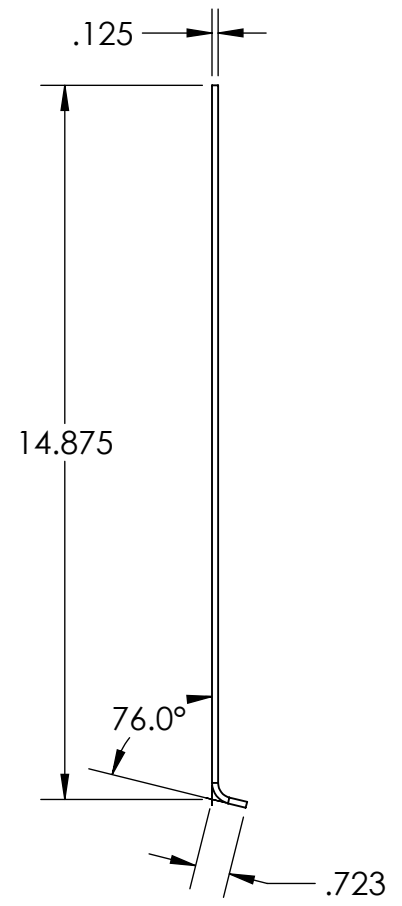
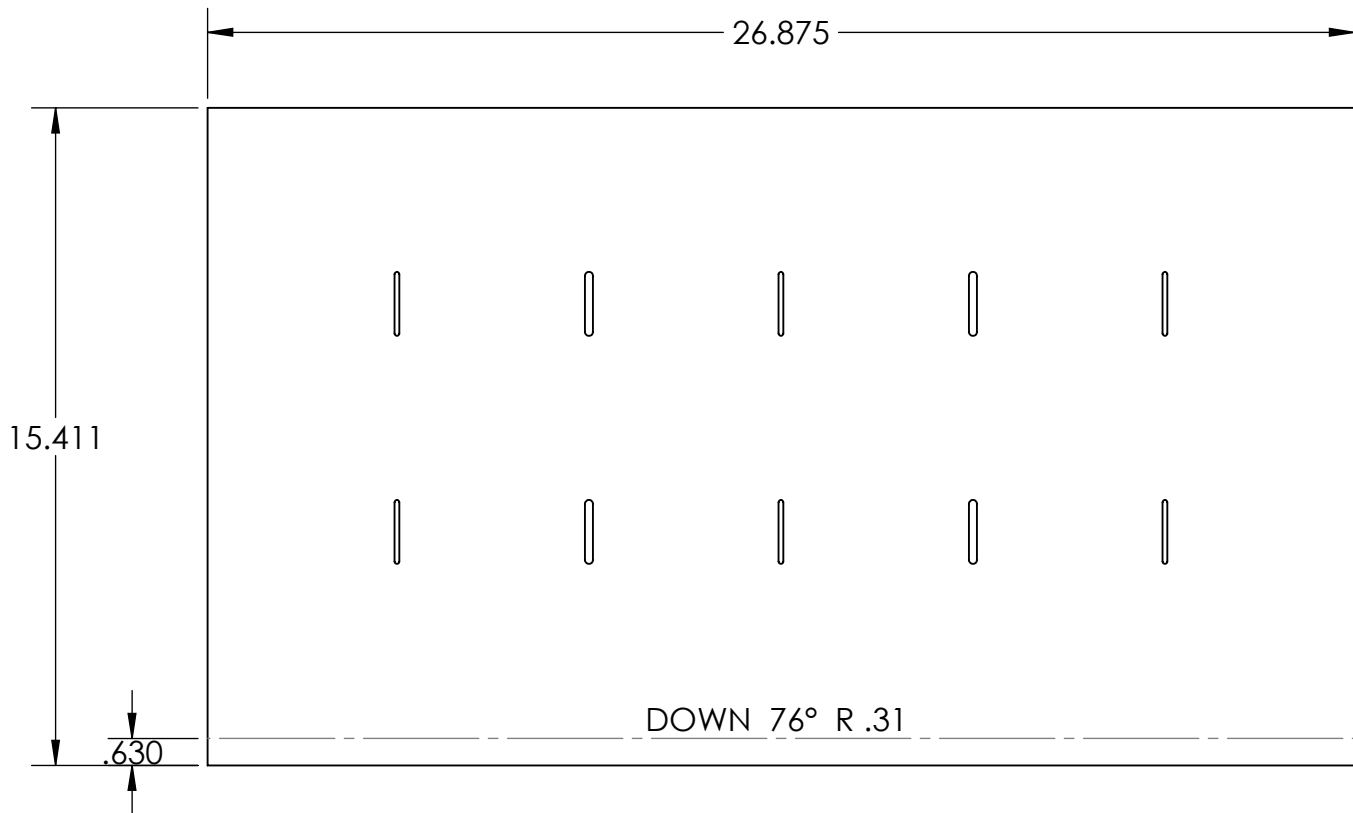
SHEET 3 OF 10




DRAWN BY: MNL

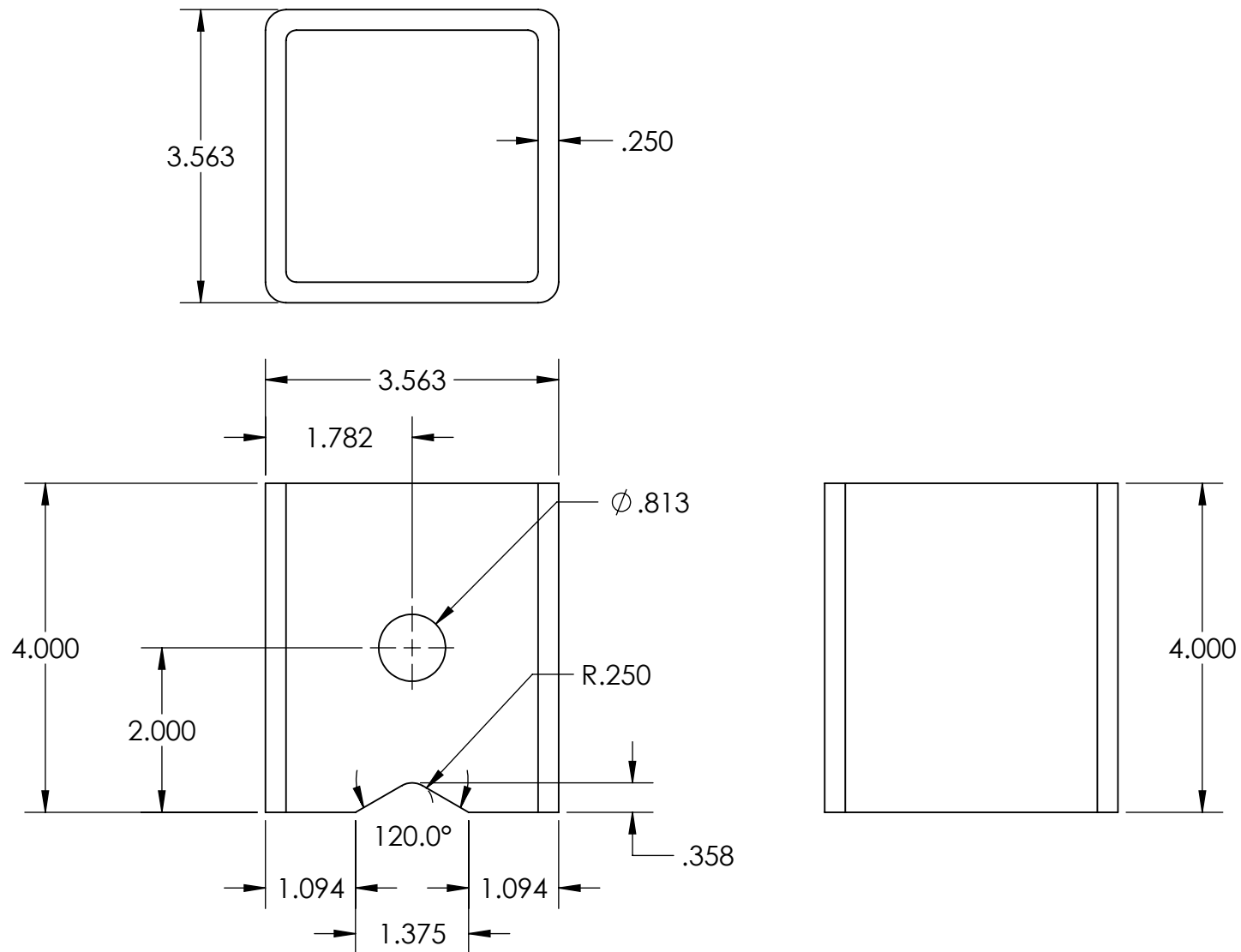
SPECIFICATIONS		PART #		
LENGTH	89.374	Q10116 BEAM		
WIDTH	9"			
HEIGHT	4.5"			
CAPACITY	-	MATERIAL: 6061-T6 (SS)	10/14/2022	REV
WEIGHT		PATENT #: -	QUOTE #	

This drawing is the property of Heavy Duty Ramps. This drawing is not to be made public, copied, duplicated or shown to any unauthorized party. The information contained on this drawing is confidential and proprietary. This drawing must be returned, after the use thereof is completed. All intellectual property rights reserved.



DESCRIPTION:		Q10116 FOOT PLATE		SHEET 4 OF 10		 DRAWN BY: MNL	
SPECIFICATIONS				PART #		Q10116 FOOT PLATE	
LENGTH	.125 X 15 5/8" X 26.875						
WIDTH	-						
HEIGHT	-						
CAPACITY	-			MATERIAL: 5052-H32		10/14/2022	
WEIGHT	-			PATENT #: -		QUOTE #	
						REV	
						-	

This drawing is the property of Heavy Duty Ramps. This drawing is not to be made public, copied, duplicated or shown to any unauthorized party. The information contained on this drawing is confidential and proprietary. This drawing must be returned, after the use thereof is completed. All intellectual property rights reserved.



DESCRIPTION:
Q10116 3.563sq x .250" LEG BRACKET

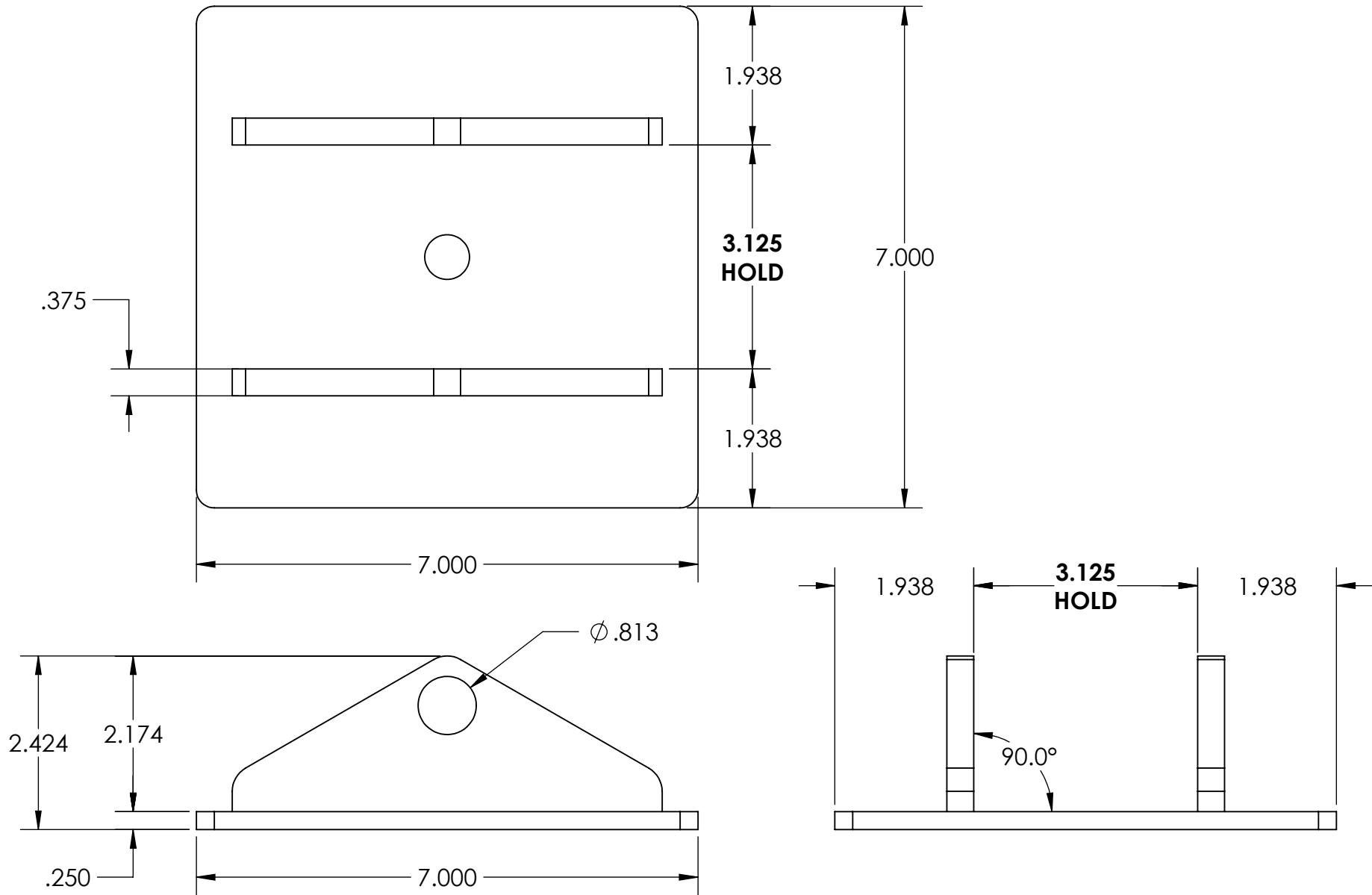
SHEET 5 OF 10



DRAWN BY: MNL

SPECIFICATIONS		PART #	
LENGTH	4.000	Q10116 LEG BRACKET	
WIDTH			
HEIGHT			
CAPACITY		MATERIAL: 6005-A	10/14/2022
WEIGHT		PATENT #:	QUOTE #
			-
			REV

This drawing is the property of Heavy Duty Ramps. This drawing is not to be made public, copied, duplicated or shown to any unauthorized party. The information contained on this drawing is confidential and proprietary. This drawing must be returned, after the use thereof is completed. All intellectual property rights reserved.



DESCRIPTION:
Q10116 PIVOT FOOT ASSY

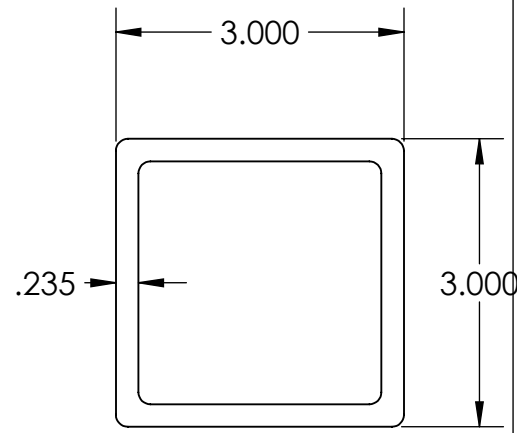
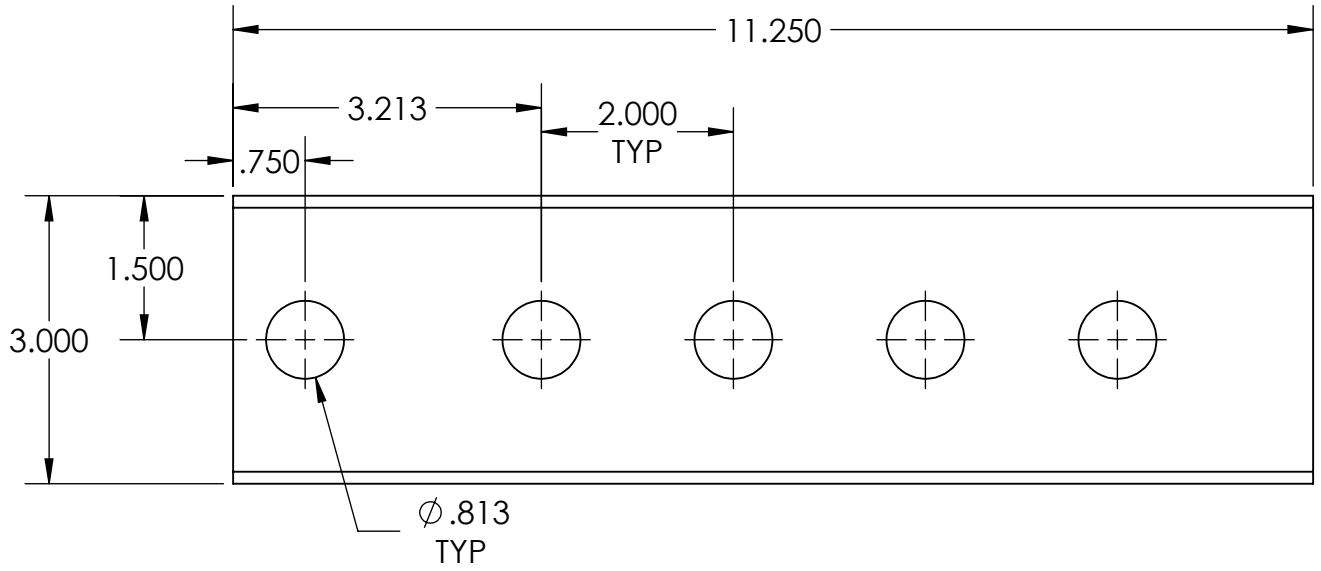
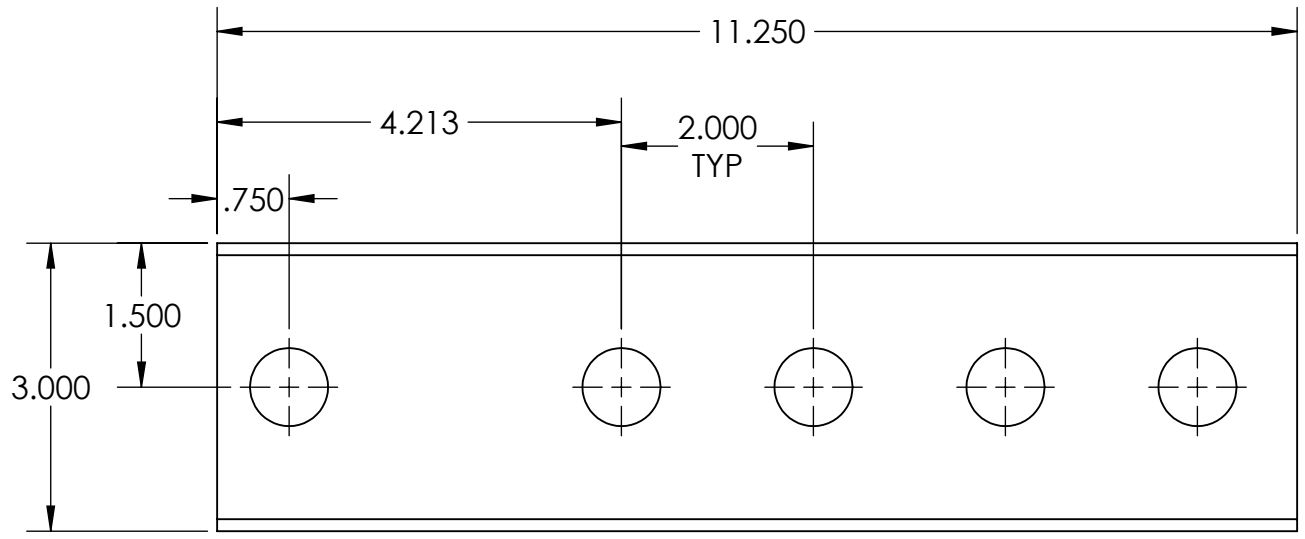
SHEET 6 OF 10



DRAWN BY: MNL

SPECIFICATIONS		PART #	DRAWN BY: MNL		
LENGTH	-	Q10116 PIVOT FOOT ASSY	MATERIAL: -	10/14/2022	REV
WIDTH	-		QUOTE #		-
HEIGHT	-		Q10116		
CAPACITY	-	PATENT #: -			
WEIGHT	-				

This drawing is the property of Heavy Duty Ramps. This drawing is not to be made public, copied, duplicated or shown to any unauthorized party. The information contained on this drawing is confidential and proprietary. This drawing must be returned, after the use thereof is completed. All intellectual property rights reserved.



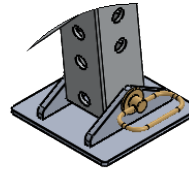
DESCRIPTION:
Q10116 3sq x .235 LEG TUBE

SHEET 7 OF 10

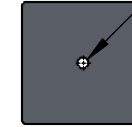


SPECIFICATIONS		PART #	
LENGTH	11.250	Q10116 LEG TUBE	
WIDTH			
HEIGHT			
CAPACITY		MATERIAL: 6005-A	10/14/2022
WEIGHT		PATENT #:	QUOTE #
			Q10116
			REV

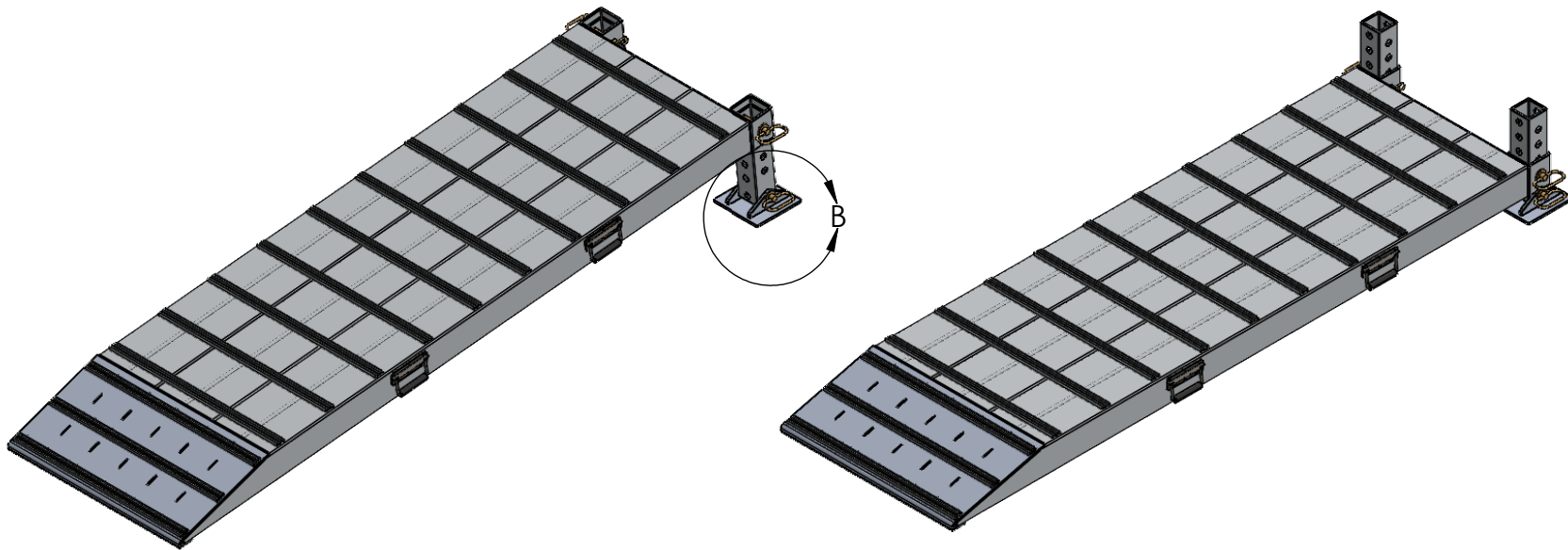
This drawing is the property of Heavy Duty Ramps. This drawing is not to be made public, copied, duplicated or shown to any unauthorized party. The information contained on this drawing is confidential and proprietary. This drawing must be returned, after the use thereof is completed. All intellectual property rights reserved.



DETAIL B



Ø .625 HOLE
IN CENTER FOR CONCRETE
FASTENER IF DESIRED.



DESCRIPTION:
S 40 27 090 RISER

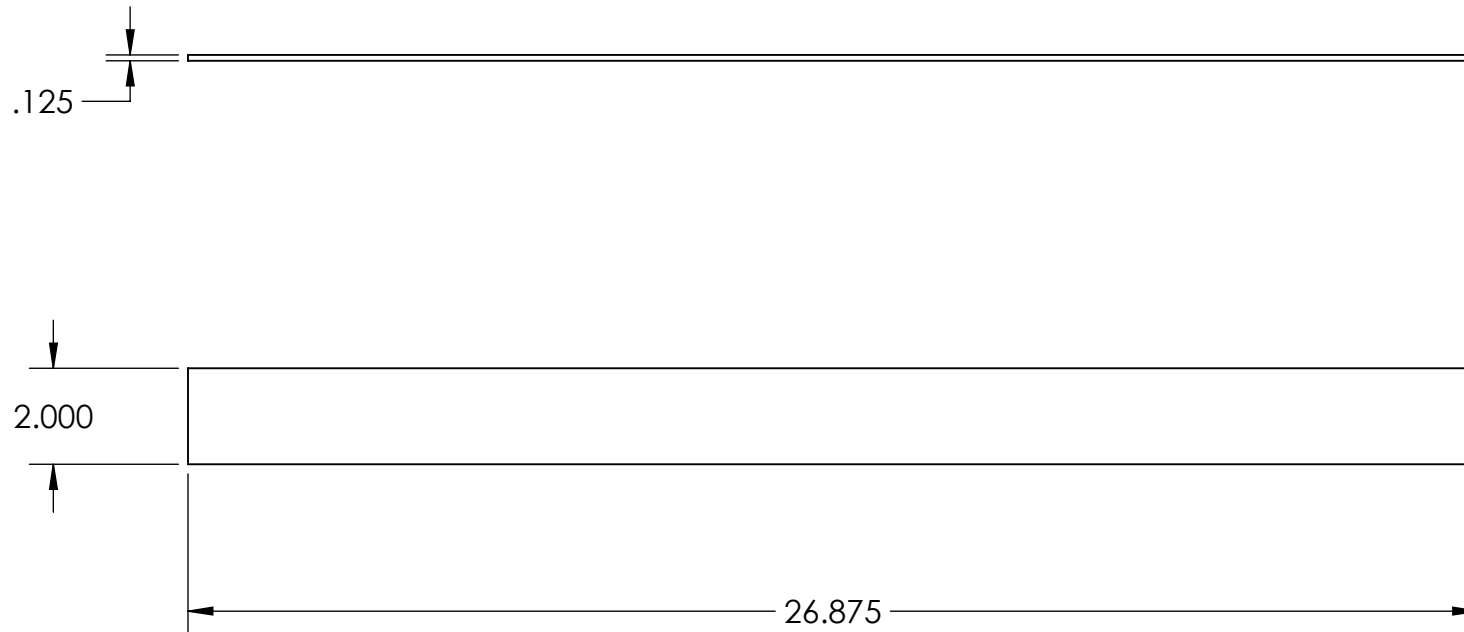
SHEET 8 OF 10




DRAWN BY: MNL

SPECIFICATIONS		PART #		
LENGTH	90"	S 40 27 090 RISER		
WIDTH	27"			
HEIGHT	6 1/16" - 12"	MATERIAL: -	10/14/2022	REV
CAPACITY	40,000 LBS		QUOTE #	
WEIGHT	150 LBS EACH		PATENT #: -	Q10116

This drawing is the property of Heavy Duty Ramps. This drawing is not to be made public, copied, duplicated or shown to any unauthorized party. The information contained on this drawing is confidential and proprietary. This drawing must be returned, after the use thereof is completed. All intellectual property rights reserved.



DESCRIPTION:			
Q10116 BOTTOM NOSE PLATE			
SPECIFICATIONS		PART #	DRAWN BY: MNL
LENGTH	26.875 X 2.000	Q10116 BOTTOM NOSE PLATE	
WIDTH			
HEIGHT	-		
CAPACITY	-	MATERIAL: 5052-H32	10/14/2022
WEIGHT	-	PATENT #: -	QUOTE #
			REV

This drawing is the property of Heavy Duty Ramps. This drawing is not to be made public, copied, duplicated or shown to any unauthorized party. The information contained on this drawing is confidential and proprietary. This drawing must be returned, after the use thereof is completed. All intellectual property rights reserved.

Q10116 MAKES ONE RAMP

QTY.	LENGTH	DESCRIPTION	NOTES	MATERIAL PART #
3	89.374	Default		AL5050
1	.125 X 15 5/8" X 26.875	Q10116 FOOT PLATE	MESSER - BEND	AL7020
2	4.000	Q10116 3.563sq x .250" LEG BRACKET	MACHINE	AL4011
13	26.250	Q10116 TALL CLEAT		AL6076
1	.150 X 4.125 X 26.875	Q10116 TUBE CAP		AL7021
1	26.875 X 2.000	Q10116 BOTTOM NOSE PLATE	MESSER	AL7020
2	11.250	Q10116 3sq x .235 LEG TUBE	MACHINE	AL4010
2	.250 X 7.000 X 7.000	Q10116 FOOT BASE PLATE	MESSER	AL7012
4	.375 X 2.174 X 6.000	Q10116 FOOT SIDE PLATE	MESSER	AL7006
4		.75" x 4.25" HITCH PIN	-	FW1003 (PARTS-STAND-PIN)
4		HAIR PIN		FW1004 (PARTS-HITCH-PIN-CLIP)
4	-	Q8550 STAINLESS STEEL DROP HANDLE		HW1046
15	-	3/16" STAINLESS STEEL RIVET	SSB6-6S - .251-.375" GRIP RANGE	H1410

DESCRIPTION:

SHEET 10 OF 10



DRAWN BY: MNL

SPECIFICATIONS		PART #		
LENGTH				
WIDTH				
HEIGHT				
CAPACITY				
WEIGHT				
		MATERIAL:	10/14/2022	REV
		PATENT #:	QUOTE #	

This drawing is the property of Heavy Duty Ramps. This drawing is not to be made public, copied, duplicated or shown to any unauthorized party. The information contained on this drawing is confidential and proprietary. This drawing must be returned, after the use thereof is completed. All intellectual property rights reserved.