

TABLE OF RATED LOADS (lbs.)

Ramp Length	Combined / Attached	Dual	Single
2'	1,600	1,600	800
4'	1,400	1,400	700
6'	1,200	1,200	600
8'	1,000	1,000	500

INSTALLATION

- Read and follow all labels, instructions, and warnings prior to use. For additional safety information, or to obtain a copy of labels, instructions, and warnings, call 1-800-258-8503, or visit www.ezaccess.com.
- Place ramp on the landing in the folded position, making sure that the top lip transition plate is resting securely on the support surface.
- Unfold ramp and position securely on support surfaces (FIG.1).
- Ensure that top lip transition plate fully overlaps the supporting surface and that the ramp is perpendicular (90°) to the edge of the support surface. If obstructions prevent the top lip transition plate from fully overlapping or being placed at 90° from support surface, reposition ramp as required.
 - ✎ Either end of ramp may be used as the top.
- Ramp is equipped with a safety attachment point underneath the upper portion of ramp as a method of securing ramp when in use (FIG. 4). Use a strap, chain, or rope (not supplied) to securely attach the ramp to a vehicle or other structure when in use to prevent the top lip transition plate from slipping off the supporting surface.
- In addition to safety attachment point, secure top lip transition plate of ramp to supporting surface with clevis pins (or other appropriate fasteners) to prevent top lip transition plate from slipping when in use (FIG. 4).
- Ramps can be separated to be used independently or singly. Ramps are shown combined (FIG. 1), dual use (FIG. 2) and single (FIG 3).
- Remove the #8 x 2-1/2" long flat head Phillips screws in both ends of the ramp side rail on one half of the ramp and slide ramp half off the flexible hinge (FIG. 5).
- To reassemble, slide the disconnected half of the ramp back onto the flexible hinge (use soapy water to lubricate if needed). Then reinstall the two #8 x 2-1/2" long flat head Phillips screws into the gap between the flexible hinge and the hinge channel in the ramp side rail (FIG. 5).

STORAGE

Prevent damage and injury, always store ramp securely.

MAINTENANCE

- Keep ramp surface clean and free of debris.
- Clean any oil or grease immediately.
- Clean ramp with mild detergent and warm water (consult manufacturer before using abrasives or chemical cleaners).

WARNINGS

- ⚠ Consult *Table of Rated Loads* for your ramp length. DO NOT exceed rated load.
- ⚠ Always enter and exit ramp along its centerline (Ⓛ) (FIG. 1).
- ⚠ Use only if sufficient maneuvering room is available at both ends of the ramp.
- ⚠ Never leave ramp unattended when deployed.
- ⚠ Ensure the top lip transition plate fully overlaps the supporting surface. Use only if both top lip transition plate and bottom transition plate of ramp are supported by level, stable surfaces.
- ⚠ Use only if support surfaces are capable of supporting, at minimum, the same loads as the ramp.
- ⚠ Avoid dragging ramp as this will rapidly wear the ramp and shorten useful life.
- ⚠ Always exercise caution when using ramp.
- ⚠ Inspect ramp before use for any damage. If any part of the ramp is unstable, damaged or defective, do not use.
- ⚠ Ramp will conduct heat rapidly. Do not place on or near open flame or hot objects as burns may result when using or handling.
- ⚠ If ramp is exposed to heat, hot weather or direct sunlight, use gloves when handling.
- ⚠ Ramps in subfreezing temperatures will readily freeze any water that falls on the walking surface, thereby increasing the risk of slipping.
- ⚠ Use only if ice, snow, wet leaves and/or other debris, which may decrease traction and increase the risk of slipping, have been removed from ramp.
- ⚠ Water on the ramp surface will decrease the traction and increase the risk of slipping. Use extreme caution when wet.
- ⚠ When using ramp in wet conditions, reduce weight, limit travel speed, and reduce ramp angle if possible. If angle, load, or traction conditions are deemed unsafe, DO NOT USE ramp!

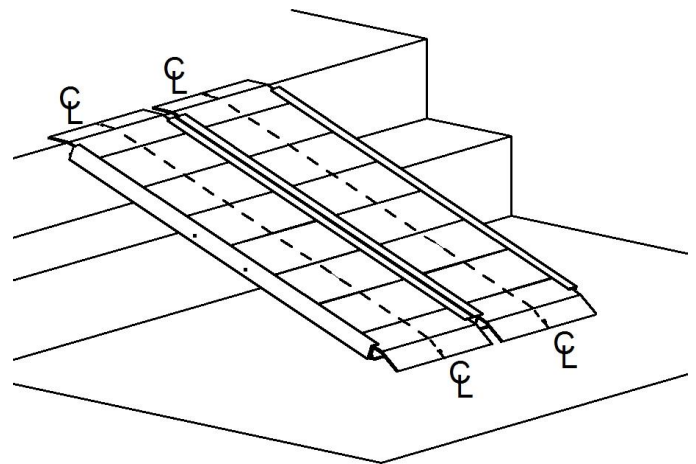


FIG. 1



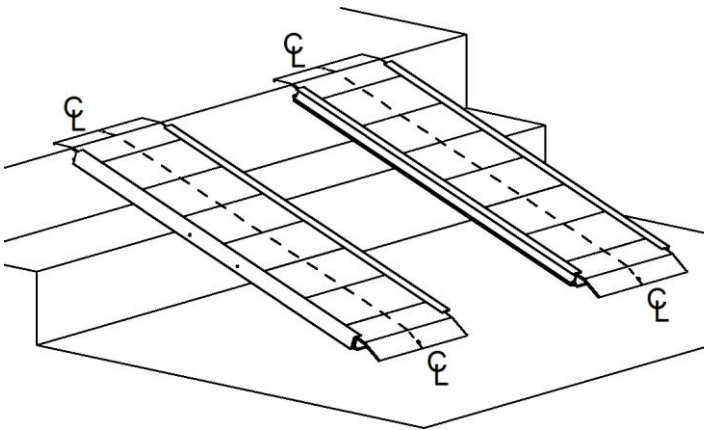


FIG. 2

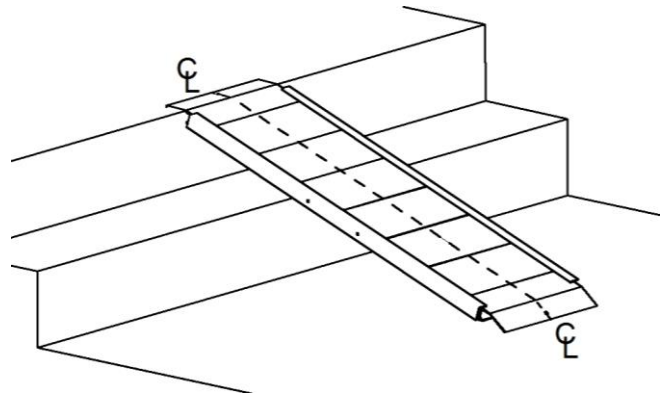


FIG. 3

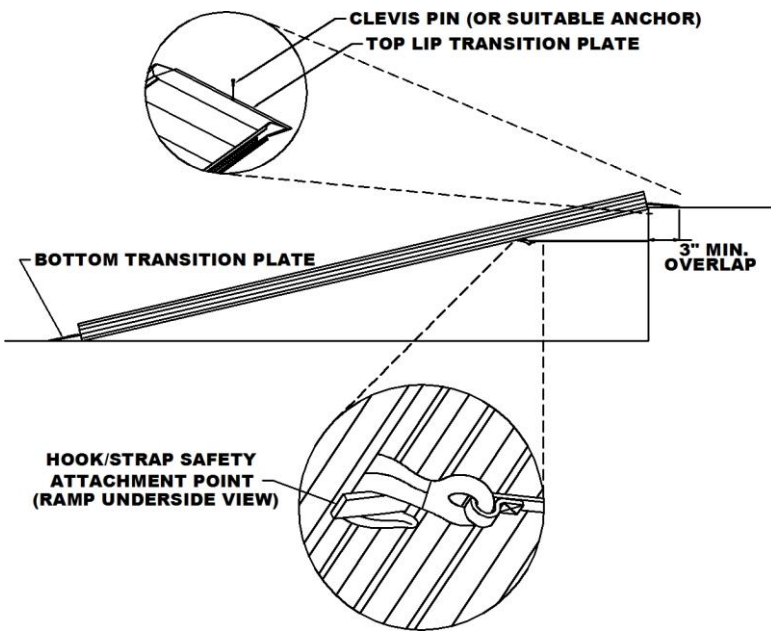


FIG. 4

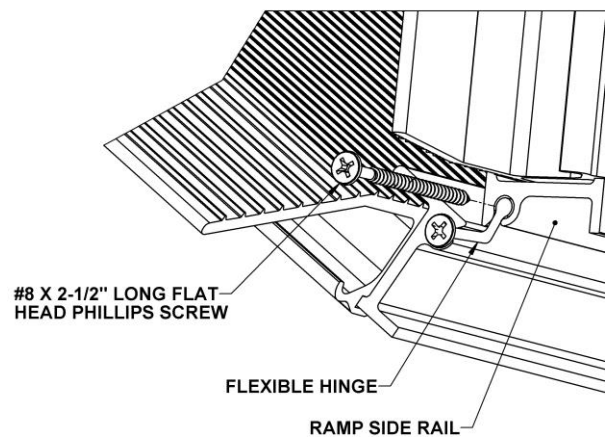


FIG. 5