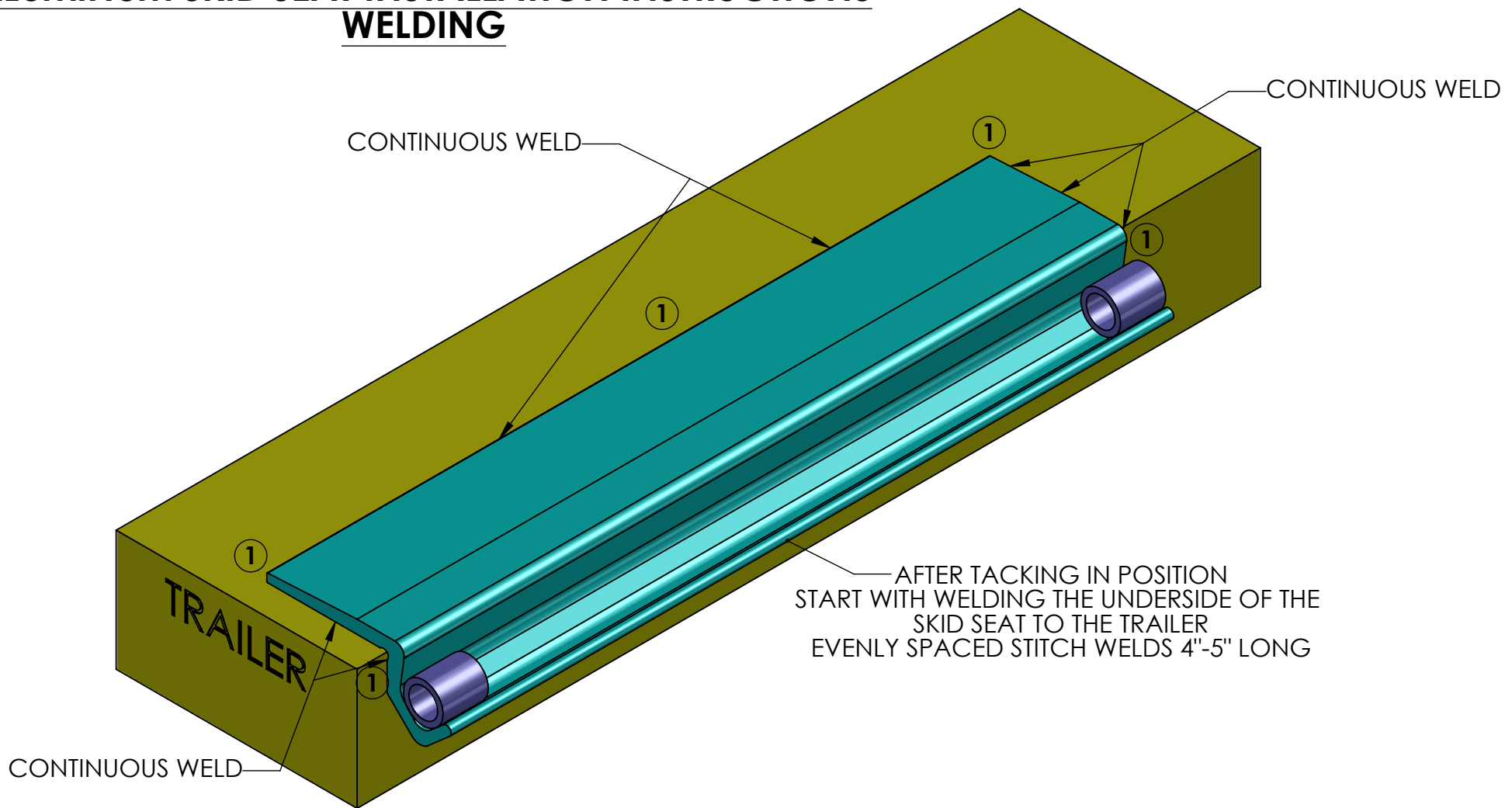


ALUMINUM SKID SEAT INSTALLATION INSTRUCTIONS WELDING



- 1) BEGIN WITH PLACING THE SKID SEAT IN THE DESIRED POSITION.
- 2) REMOVE REFLECTIVE TAPE AND CLEAN THE ENTIRE AREA WHERE THE SKID SEAT IS LOCATED.
A RIGHT ANGLE GRINDER WITH A LIGHT SANDING WHEEL IS RECOMMENDED FOR SURFACE PREPARATION.
- 3) TACK THE SKID SEAT TO THE TRAILER IN THE POSITIONS LABELED "1". (THIS KEEPS THE SKID SEAT SECURE WHILE WELDING.)
- 4) START WITH WELDING THE UNDERSIDE OF THE SKID SEAT. EVENLY SPACE STITCH WELDS THAT ARE 4"-5" LONG.
- 5) FINISH WELDING THE TOP AND SIDES WITH A CONTINUOUS WELD.
- 6) ADD A SPACER BEHIND THE REAR BUMPERS IF NEEDED. TO PREVENT DAMAGE, THE BUMPERS MUST EXTEND PAST THE END OF THE SKID SEAT.
- 7) CLEAN FINISHED WELDS WITH A WIRE BRUSH.