



General Guidelines ⚠

- It is the user's responsibility to read and follow all instructions.
- Keep these instructions with the product at all times and review before each use.
- It is the responsibility of this product's owner to furnish the instructions to any person that borrows or purchases the product.
- Inspect the product before use to ensure it is assembled properly and all parts are in safe working order and free of defects.
- Never modify this product in any way.
- All circumstances cannot be addressed in these instructions. Please use common sense and practice general safety measures when using this product.
- Parts and/or instructions are subject to change without notice.
- **Do not exceed the 500 lb weight capacity.**



Parts



A



B



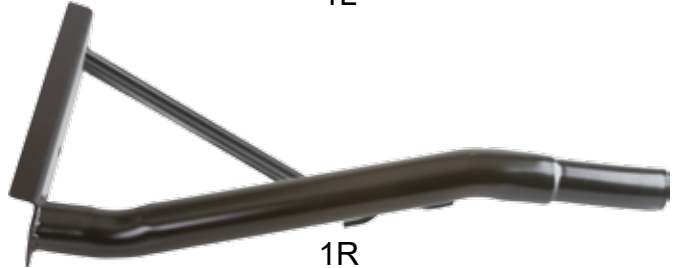
C



D



1L



1R



2L



2R



3

Part	Description	Quantity
A	Allen Head Bolt 3/8" x 1 3/4"	8
B	Flat Washer 3/8"	8
C	Nylock Nut 3/8"	8
D	Allen Head Set Screw 3/8" x 1/2"	8

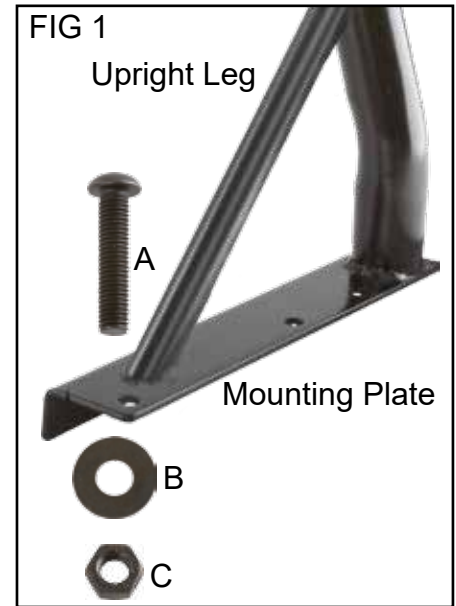
Part	Description	Quantity
1L	Left Upright	2
1R	Right Upright	2
2L	Left Crossbrace	2
2R	Right Crossbrace	2
3	Crossbrace Extension	2

Tools Required

- 5/8" wrench
- 3/16" Allen wrench
- 7/32" Allen wrench

Assembly

Step 1. Position the front mounting plate of the upright leg as close to the cab as possible. Locate the pre-drilled hole in the footplate that is furthest from the leg and drill a 3/8" hole through the truck's bed rail. (FIG 1) A second hole for a bolt must be drilled through the both the footplate and the truck's bed rail as close as possible to the front leg without sacrificing access to the bolt underneath the truck's bed rail. This bolt must be accessible in order to put on the washer and nut. Attach the footplate to the truck using bolts (A), washers (B), and nylock nuts (C).



Repeat Step 1 as you position the remain upright leg for this section.

DO NOT over tighten any bolts.

Step 2. Set the rack to the high (FIG 2) or low (FIG 3) position, whichever is best for the cargo and the truck, by flipping the crossbrace. For bowed canoes, the high position is recommended. If you choose to flip the crossbrace, you will have to remove and replace the caps.



Step 3. Insert the crossbrace into the crossbar extension (FIG 4) and set the entire assembly on top of the upright legs. Center the crossbrace left to right and secure it with the Allen head set screws (D). Secure the crossbrace to each upright leg with the included Allen head set screws.

To install the rear portion of the cargo truck rack on the truck bed, repeat the above steps. Before drilling the mounting plate, ensure that the plate does not overhang or interfere with the tail gate.

The Cargo Truck Rack is now ready for use.

Note: You may also use as a single front-mounted rack to support long items in the bed (FIG 5).

WARNING: DO NOT EXCEED 500 LB LOAD CAPACITY.

FIG 4

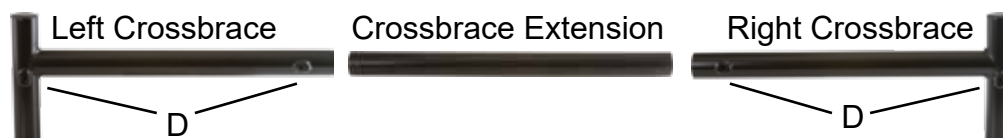


FIG 5



Product Warranty and Liability

GENERAL PRODUCT WARRANTY: Products purchased from the Authorized Dealer (original place of purchase) or Merchant (“Dealer”) will be free of defects in material and workmanship at the time of receipt, and will meet the specifications stated at the place of purchase transaction or online at the Dealer’s website, under normal use and service when correctly installed, operated and maintained. This product warranty is effective for the period of time stated below, unless otherwise stated in the product instructions or depicted in the product advertisement. **All Authorized Dealer warranties are NON-TRANSFERABLE** and cover only the original end purchaser. This limited warranty does not cover products purchased through non-authorized dealers. Non-authorized dealer receipts are not accepted for warranty verification.

*****Warranty claims must be made directly to the original place of purchase.*****

WARRANTY PERIOD: This warranty remains in force for one year from the date of the product’s accepted delivery. The Authorized Dealer offers a one year manufacturer’s warranty for most products unless otherwise specified on the product advertisement.

WARRANTY SERVICE: The Authorized Dealer will replace any defective or malfunctioning part at no charge, including payment of the shipping costs of parts or replacement product to and from the manufacturer. The purchaser is responsible for labor charges. If the product does not meet specifications as depicted in the advertisement, the Authorized Dealer will refund the full purchase price of the product.

Questions regarding the warranty on a specific product and warranty claims should be directed to the Authorized Dealer with whom the purchase transaction was made.

WARRANTY LIMITATIONS: The above warranty does not apply to products that are repaired, modified or altered by any party other than the Authorized Dealer; are subjected to unusual physical stress or conditions (such as overloaded ramps or corrosion), natural disaster, governmental actions, wars, strikes, labor disputes, riots, theft, vandalism, terrorism or any reason beyond reasonable control; are damaged due to improper installation, misuse, abuse, accident or negligence in use, storage, transportation or handling, or tampering; or to products that are considered consumable items or items requiring repair or replacement due to normal wear and tear.

Product should be inspected prior to signing for delivery. Product damage incurred during shipping, unless noted on the Bill of Lading at the time of delivery, renders this warranty void.

LIMITED LIABILITY: In no event shall THE AUTHORIZED DEALER be liable to the purchaser or any third party for any indirect, incidental, consequential, special, exemplary or punitive damages arising out of the use of the product, including, without limitation, property damage, loss of value of the product or any third party products that are used in or with the product, or loss of use of the product or any third party products that are used in or with the product.



DiscountRamps.com
1-888-651-3431
760 S. Indiana Ave.
West Bend, WI 53095