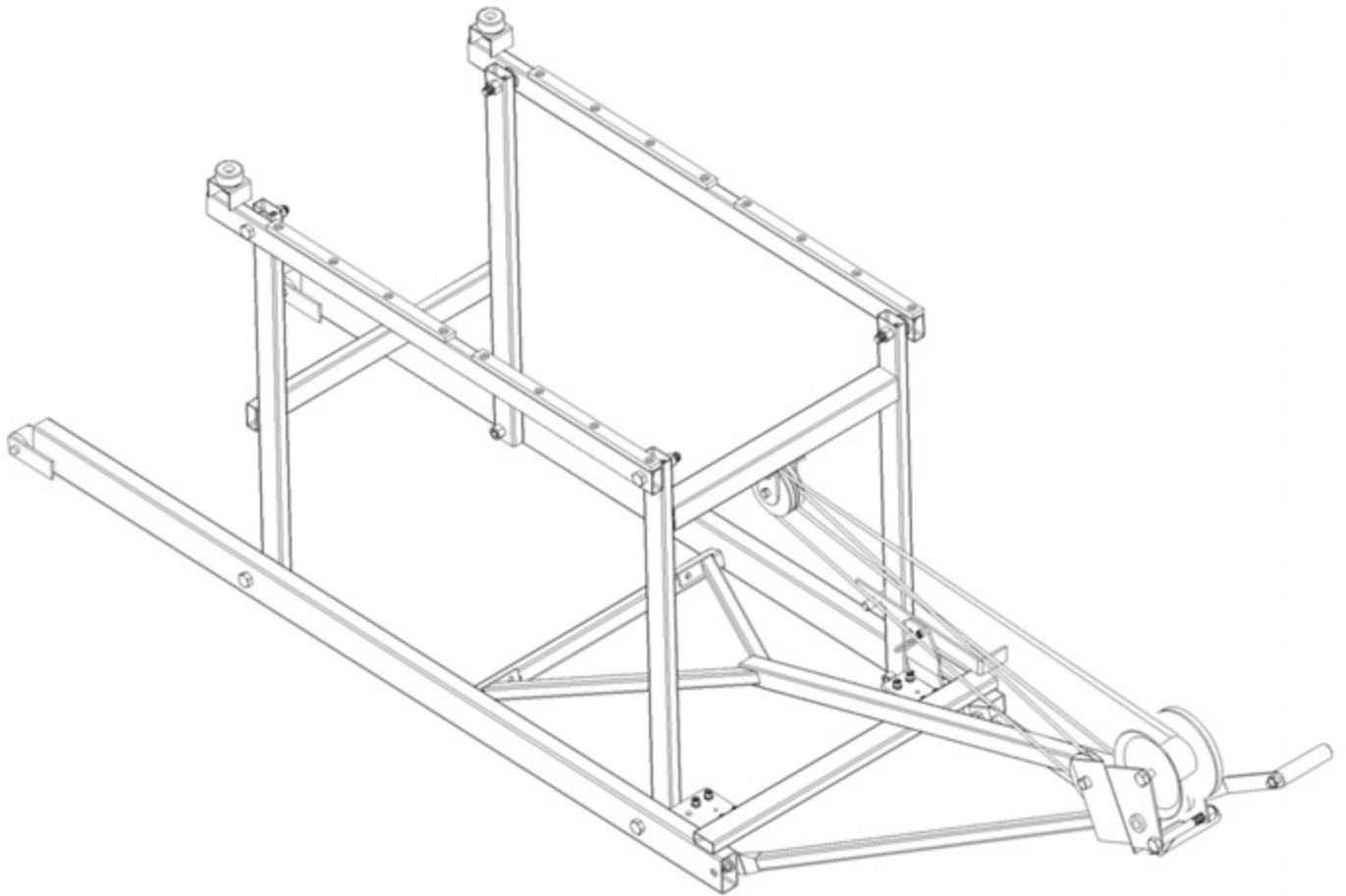


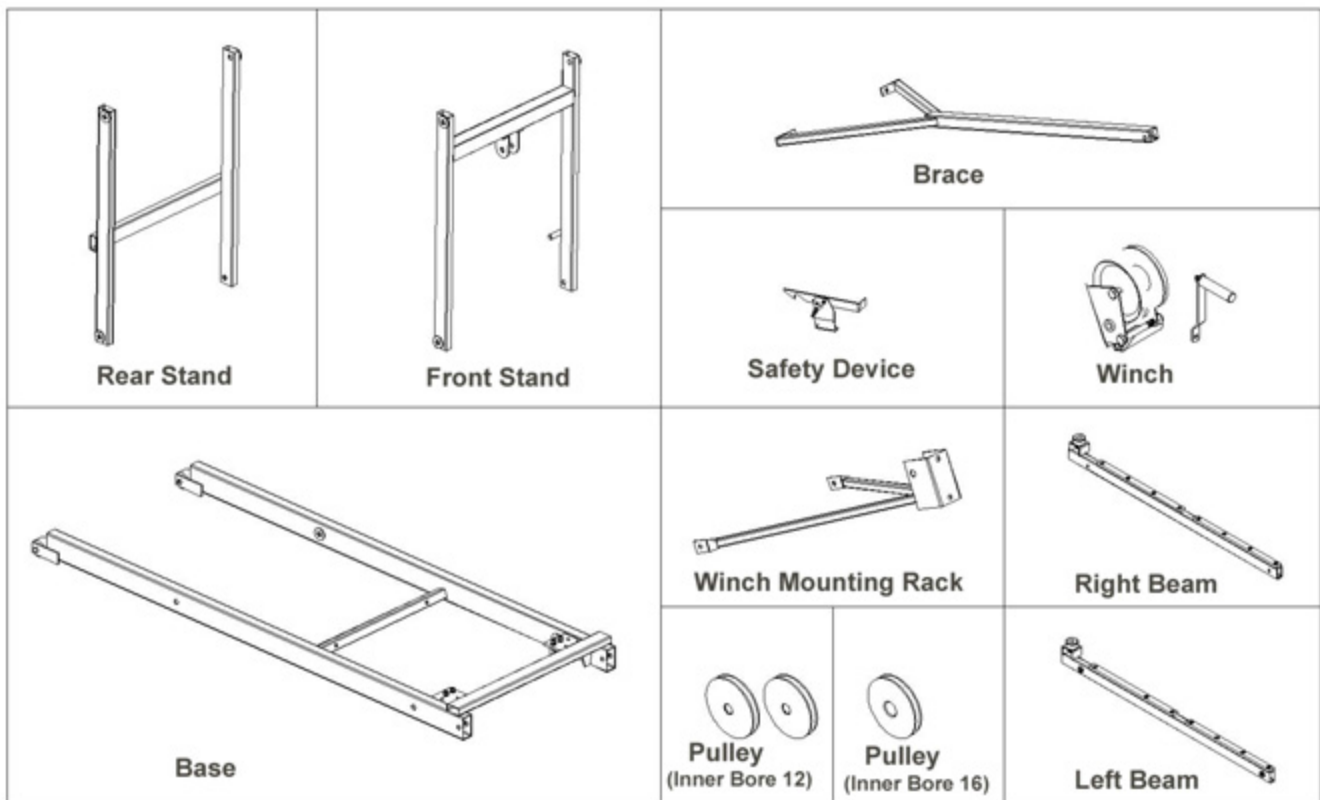
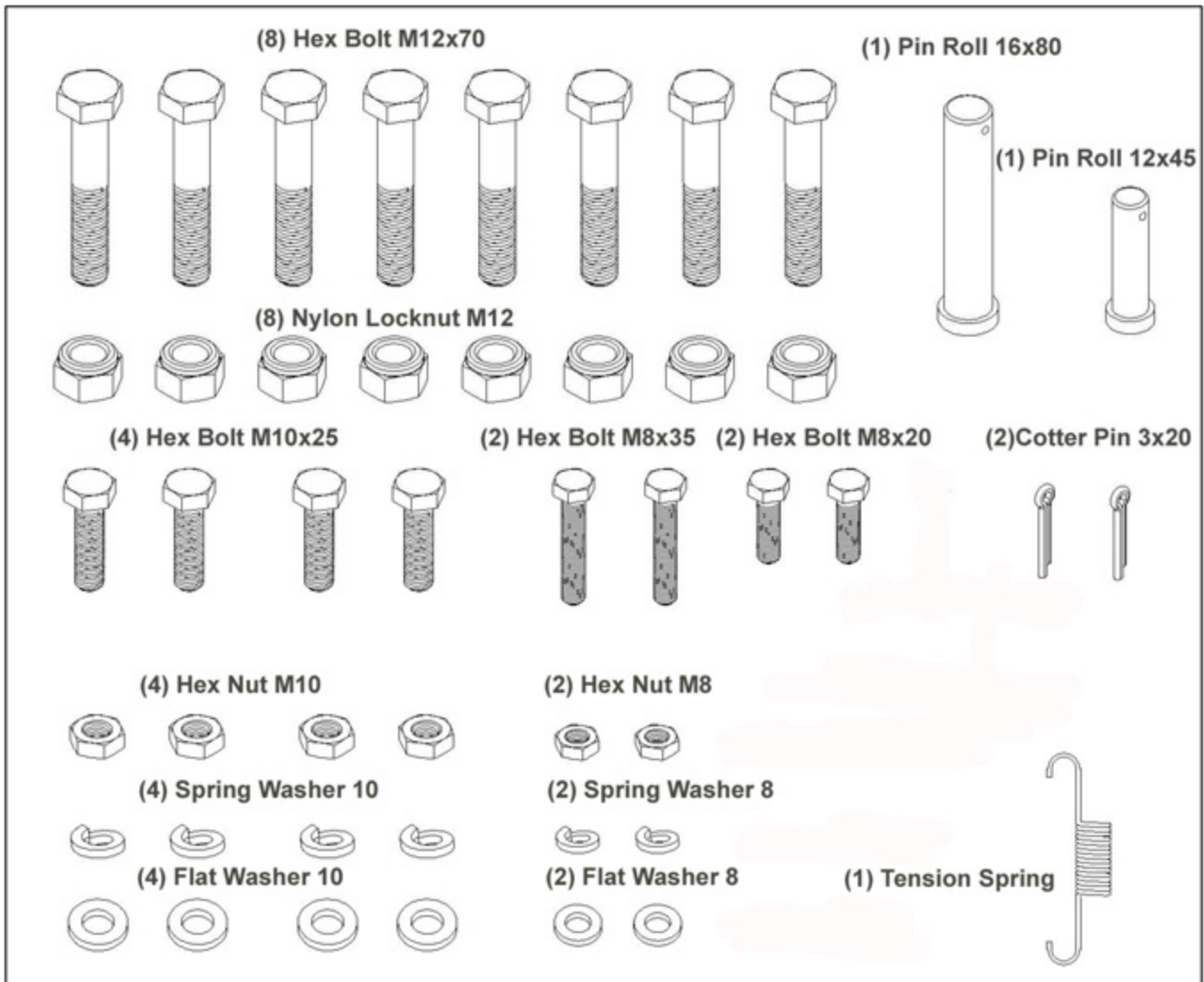
Snowmobile Lift

Assembly Instructions

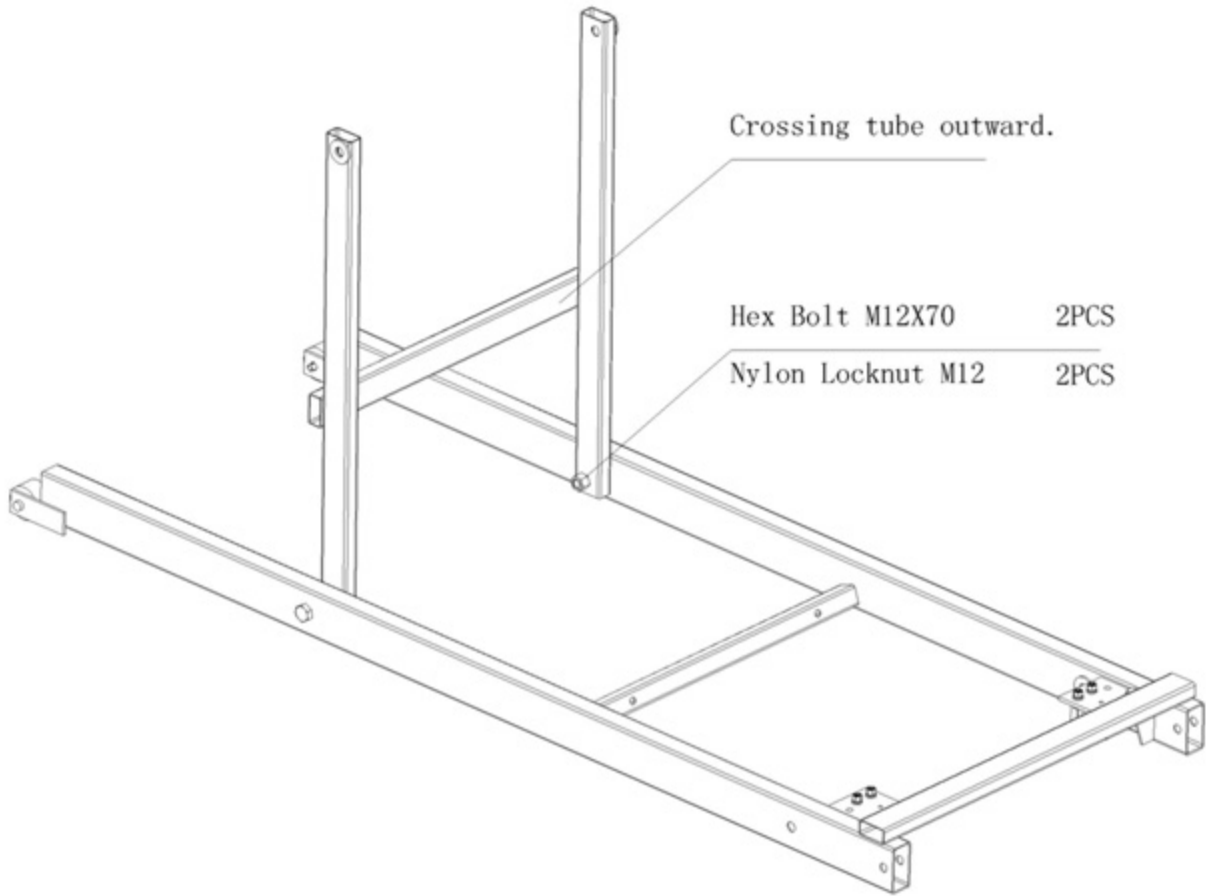


Read Assembly Instructions Completely Prior to Installation

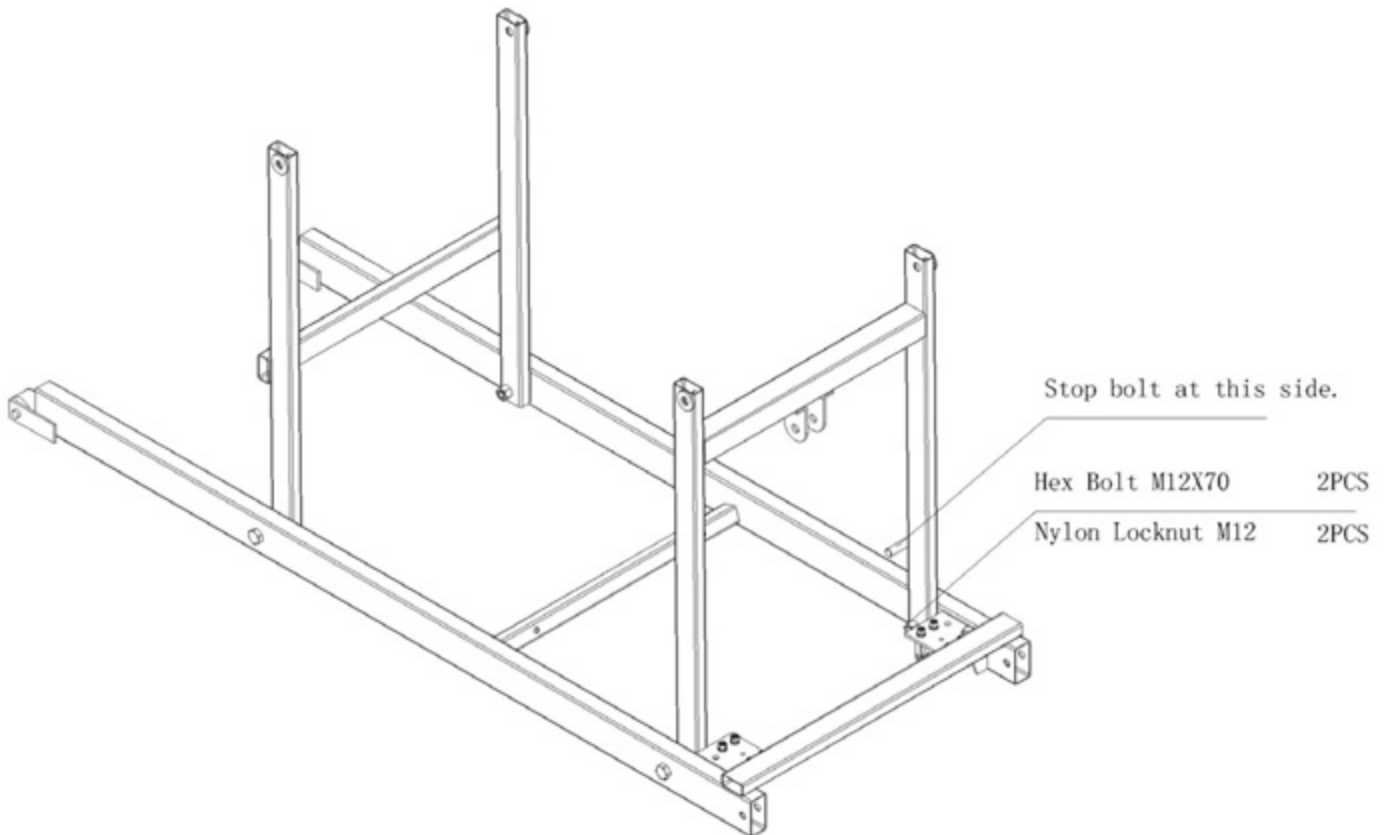
Parts List



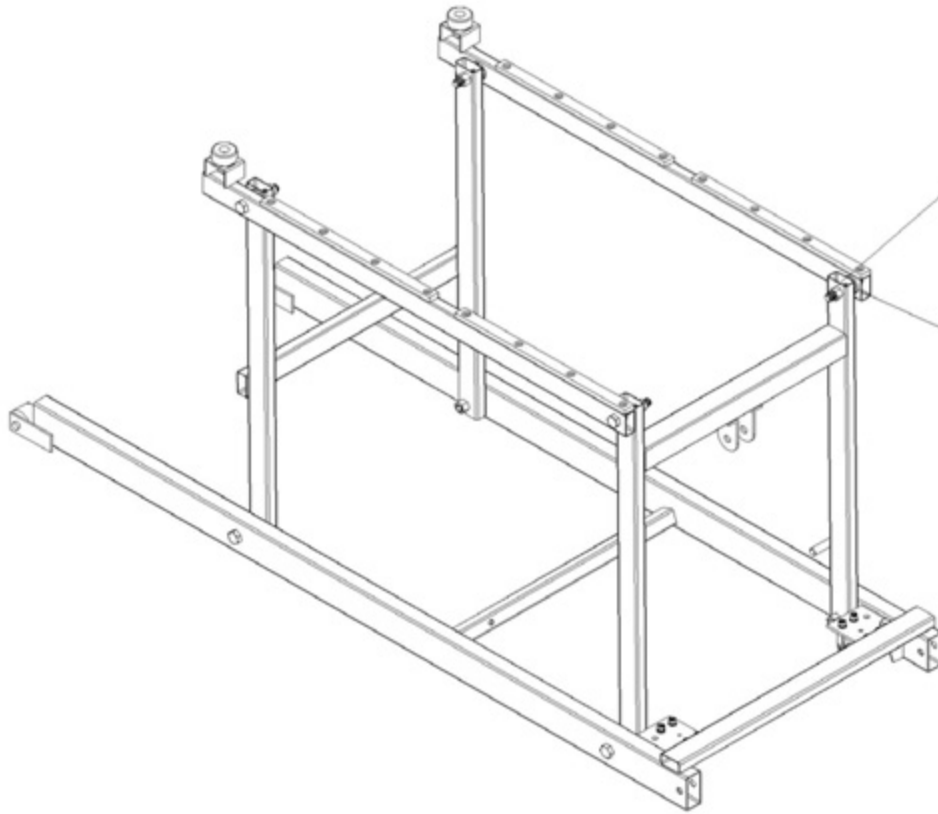
Step 1: Install Rear Stand to Base.



Step 2: Install Front Stand to Base.



Step 3: Install Right Beam & Left Beam to Base.

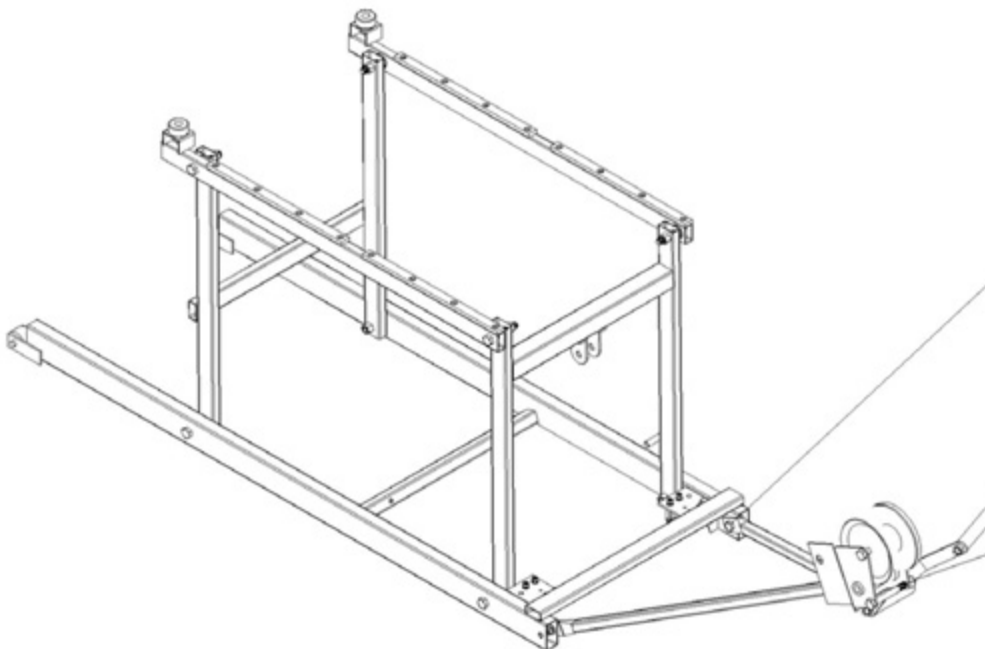


Hex Bolt M12X70 4PCS

Nylon Locknut M12 4PCS

Spacer inside

Step 4: Install Winch Mounting Rack to Base, install Winch to Winch Mounting Rack, install Winch Handle to Winch.



Hex Bolt M10X25 2PCS

Hex Nut M10 2PCS

Flat Washer 10 2PCS

Spring Washer 10 2PCS

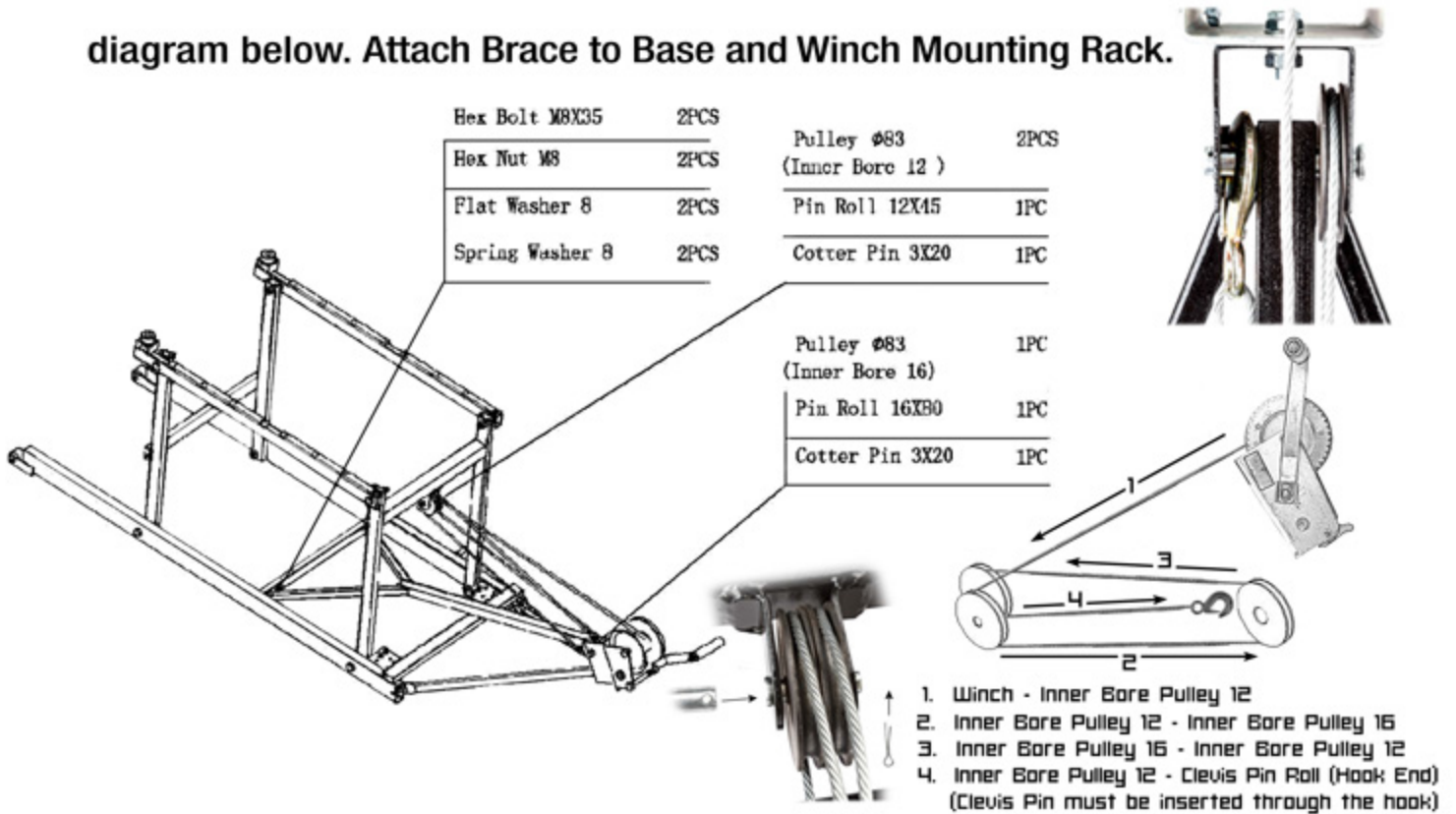
Hex Bolt M10X25 2PCS

Hex Nut M10 2PCS

Flat Washer 10 2PCS

Spring Washer 10 2PCS

Step 5: Install Pulley Ø83 (Inner Bore 16) to Winch and two Pulleys Ø83 (Inner Bore 12) to Front Stand. Wind Steel Wire around three Pulleys according to diagram below. Attach Brace to Base and Winch Mounting Rack.



Step 6: Install Security Device to Base. To raise the lift up, twist the Winch Handle clockwise. To lower the lift, twist the Winch Handle counter-clockwise.

