

## **Solid Surface Ramp- With or without handrails**

Instruction and Assembly Manual

---

### **WEIGHT CAPACITY**

Maximum weight limit is 850 pounds.

### **WARNING**

1. Never exceed the rated capacity of your ramp.
2. Never exceed the maximum height limit.
3. Use caution at all times when loading and unloading.
4. Only load and unload onto a stable, level surface.
5. Do not leave attached ramps unattended.

Ramp surfaces will have less traction when wet, use caution.

6. Always make sure the top ramp lip is secured onto step, landing, or vehicle before use.
7. Always follow equipment manufacturer's recommendations for proper degree of incline/decline.
8. Always use ramp with qualified helper and lap belt.
9. For wheelchairs and scooters only (not intended for commercial use).

### **FOR INSTALLER:**

1. For residential use only!
2. RATED LOAD: 850 pounds. NEVER EXCEED RATED LOAD.
3. Read all instructions, including MAINTENANCE AND SAFETY, prior to ramp assembly.
4. Please leave this ASSEMBLY MANUAL with the end user.

### **FOR END USER:**

1. RATED LOAD: 850 pounds. NEVER EXCEED RATED LOAD.
2. Please read and become familiar with the MAINTENANCE AND SAFETY section of this manual.

### **TOOLS TYPICALLY REQUIRED:**

1. 1/2" socket or 1/2" wrench
2. 1/4" drill bit (1/4" masonry drill bit when installing to concrete porch, step, etc.)
3. Rubber mallet
4. Power drill

### **PACKING LIST:**

1. Each system is shipped with a packing list. Be sure to check that all items are present before starting assembly/installation.

### **CONTENTS:**

|   |     |
|---|-----|
| SECTION 1: WARNINGS .....                             | 2   |
| SECTION 2: FASTENING RAMP TO THE LANDING .....        | 2-3 |
| SECTION 3: INSTALLING RAMP HANDRAILS (OPTIONAL) ..... | 3-4 |
| SECTION 4: FINAL STEPS .....                          | 5   |
| SECTION 5: MAINTENANCE & SAFETY.....                  | 5   |
| SECTION 6: MAXIMUM HEIGHT LIMITS.....                 | 5   |

## 1. WARNINGS

- 1.1. RATED LOAD: 850 pounds. NEVER EXCEED RATED LOAD.
- 1.2. Do not use ramp if the top lip transition plate is not secured to a structurally sufficient landing.
- 1.3. Avoid dragging ramp as this will rapidly wear the ramp, may cause damage, and may shorten useful life.
- 1.4. Always exercise caution when using a ramp.
- 1.5. Use ramp only if both top transition and bottom transition plates are properly supported by level, stable surfaces.
- 1.6. Use only if supporting surfaces are capable of supporting, at minimum, the same *Rated Load* (850 lbs.) as the ramp.
- 1.7. Use only if sufficient maneuvering room is available at both ends of the ramp to assure safe travel when entering and exiting the ramp.
- 1.8. If ramp is exposed to heat, hot weather or direct sunlight, use gloves when handling.
- 1.9. Ramps in freezing temperatures will readily freeze any moisture on the walking surface thereby increasing the risk of slipping.
- 1.10. Use only if ice, snow, wet leaves and/or other debris (that may decrease traction and increase the risk of slipping) have been removed from ramp.
- 1.11. Moisture on the ramp surface will decrease traction and increase the risk of slipping. Use extreme caution when wet.
- 1.12. Inspect ramp regularly for any damage, including bending and cracked or broken welds. If any part of the ramp is unstable, damaged, or otherwise defective, do not use.
- 1.13. Aluminum ramps will conduct electricity. Do not use or handle around live wiring or during electrical storms.
- 1.14. This ramp is intended for people and mobility equipment only. Do not use to transport freight.
- 1.15. Ramp is for residential use only. Do not use in commercial applications.
- 1.16. Use ramp only with a qualified helper.
- 1.17. Always use your lap belt.
- 1.18. Do not run, jump or play on or around ramp, including climbing on or between the handrails.
- 1.19. Do not use handrails or ramp to support planters, decorations, lights, etc.
- 1.20. It is important you refer to your equipment's (wheelchair or scooter) Owner Guide for the proper degree of incline/decline and chair direction before using ramp. Never exceed its recommendations.
- 1.21. If any part of the ramp is damaged or loose, do not use until repairs can be made by a certified installer or other qualified person.
- 1.22. Read and follow all safety and operating instructions provided by the manufacturer of the equipment that the ramp will be used with.

## 2. FASTENING THE RAMP TO THE LANDING

The Solid Surface Ramp's top lip transition plate must be fastened to the landing before use. If your ramp includes handrails, it is necessary to install end brackets on the ramp before fastening the ramp to the landing (refer to Section 3)

- 2.1. Place the ramp's top lip transition plate so it extends onto the landing as far as possible
- 2.2. If resting on a wooden landing:
  - 2.2.1. Fasten top lip transition plate by installing one ¼" x 1" long self-drilling, stainless steel wood screw (not supplied) through each hole.
- 2.3. If resting on concrete landing:
  - 2.3.1. Use the two pre-drilled holes in the top lip transition plate as a template to mark the positions to drill.
  - 2.3.2. Using a ¼" masonry bit, drill two holes at the marked locations. Drill to a depth specified by the pin drive anchor manufacturer's instructions.
  - 2.3.3. Align the top lip transition plate over the drilled holes.
  - 2.3.4. Install ¼" x 1 ½" pin drive concrete anchors (not supplied) into the holes of the upper transition per the pin drive concrete anchor manufacturer's instructions.
- 2.4. Temporary Installation:
  - 2.4.1. Use the two pre-drilled holes in the top lip transition plate as a template to mark the positions and drill two ¼" holes at least 1 ½" deep.
  - 2.4.2. After drilling, make sure that holes are free of any residue and/or debris.
  - 2.4.3. Insert the supplied clevis pins through the holes in the top lip transition plate and extending into the holes drilled in the previous step (FIG1).

2.5. Install protective caps over side rail corners by placing one cap on each side at both the top and bottom of the ramp. If necessary, use construction adhesive to bond the cap to the ramp (FIG 1).

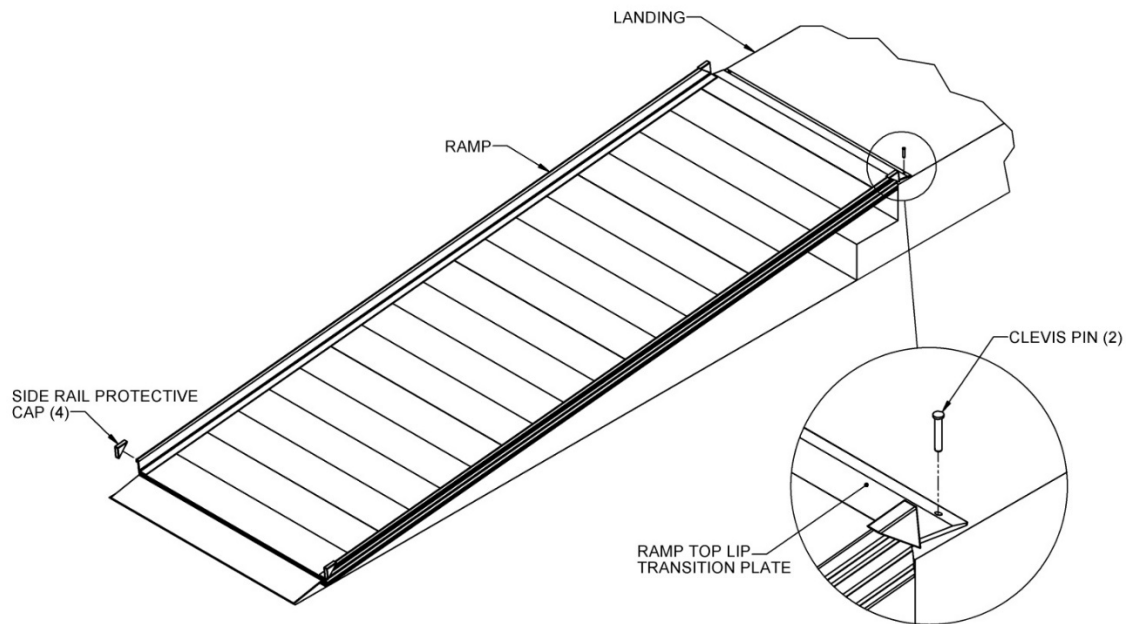


FIG 1

### 3. INSTALLING RAMP HANDRAILS (OPTIONAL)

3.1. Turn the ramp upside down on a flat surface. Do this on cardboard or a lawn so that the ramp is not damaged (scratched or dented).

3.2. Locate the two ramp handrail end bracket pairs and install one end bracket at each outside corner of the ramp using two hex bolts and washers into the two threaded inserts at the end of the ramp. As shown in FIG 2, the upper lip of the end bracket should extend into the groove under the ramp side rail.

3.3. Turn the ramp over to the upright position.

3.3.1. It is recommended you proceed with fastening the ramp to the landing (refer to Section 2) before continuing to install the ramp handrails.

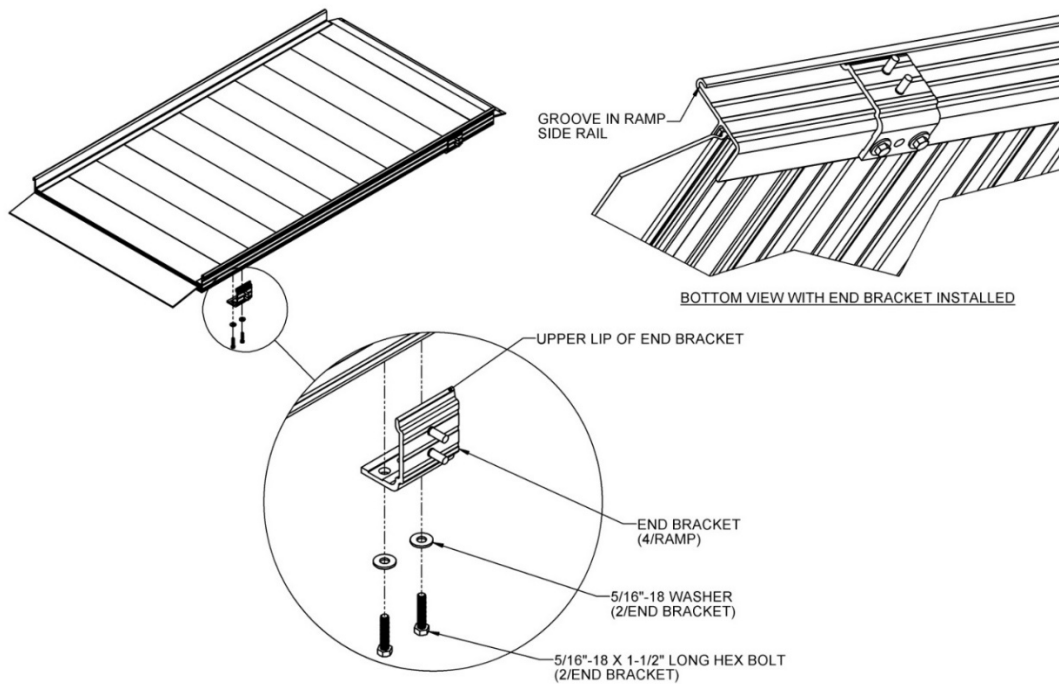
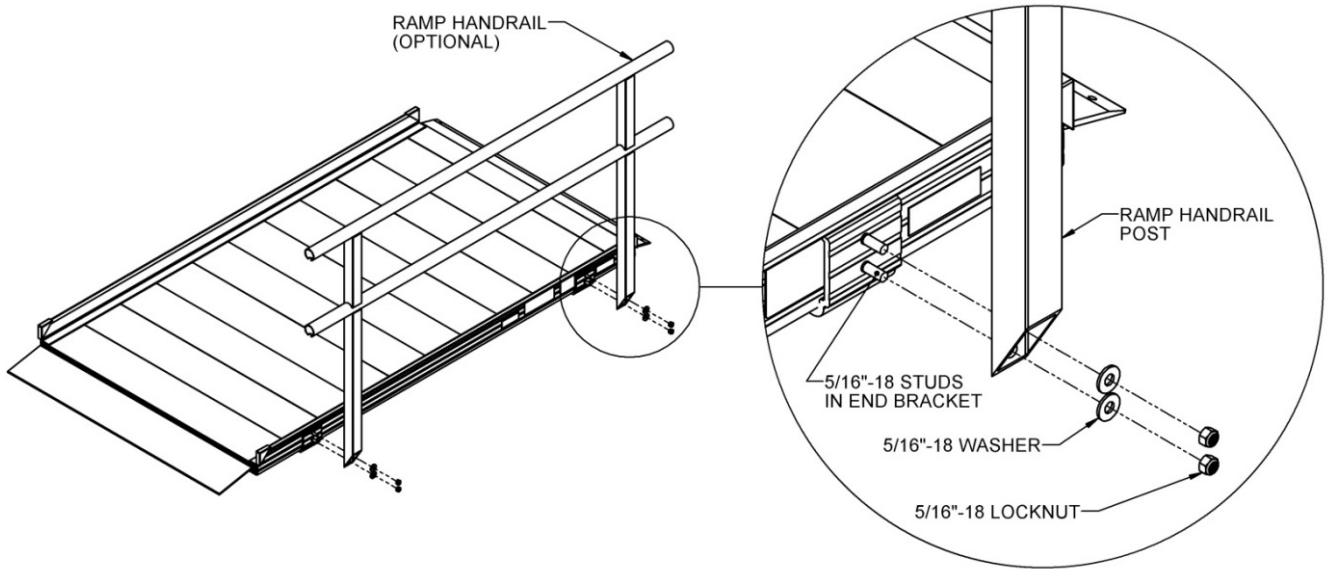


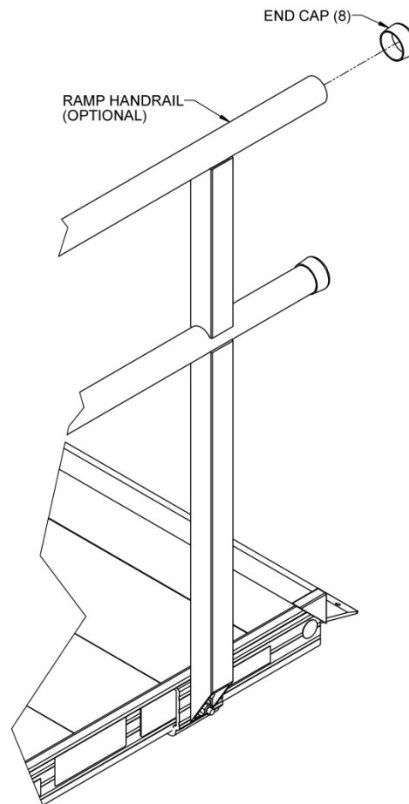
FIG 2

- 3.4. The vertical posts of the handrails each have two holes that correspond with the studs on end brackets (installed in previous steps). The side including the holes is installed adjacent to the end brackets.
- 3.5. Attach handrails to these studs using two washers and locknuts per handrail post (FIG 3).



**FIG 3**

- 3.6. Use the plastic end caps provided on all open ends on the handrails (FIG 4). Push them on by hand or use a rubber mallet. If necessary, use construction adhesive to bond the end cap to the ramp handrail.



**FIG 4**

## 4. FINAL STEPS

### 4.1. Touch-up Architecturally finished handrails:

- 4.1.1. Use sandpaper (180 grit or equivalent) for touching up scratches on architecturally finished handrails.
- 4.1.2. Sand in direction of the grain as shown (FIG 5).

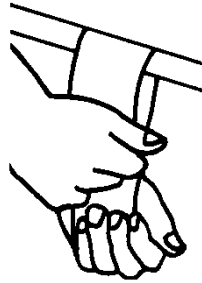


FIG 5

### 4.2. Final Checks:

- 4.2.1. Ensure that all fasteners are in place and secure.
- 4.2.2. Walk on the installed ramp checking for any undue movement.
- 4.2.3. Remove any debris and metal chips
- 4.2.4. Check that all handrail ends are covered with end caps.

## 5. MAINTENANCE & SAFETY

- 5.1. Proper maintenance and upkeep to the ramp is vital to the safety of people using the ramp and the longevity of the product.
- 5.2. Periodically check the ramp for damage and tighten any loose fasteners to ensure safety.
- 5.3. At all times, keep the ramp clear of dirt, leaves, and other debris which may accumulate on the surface. Remove accumulations and sweep ramp surface clean prior to use. If needed, use a damp cloth or soft brush with non-alkaline detergent and water. **Rinse well and use extra caution when the ramp surface is wet.**
- 5.4. If ramp surface is covered with ice and/or snow, remove before use. Snow accumulation should be shoveled and the tread surface swept clean. Magnesium Chloride salt substitute may be used to melt snow or ice accumulation on the ramp; however, after the snow and/or ice threat has cleared, be sure to clean the ramp surface with non-alkaline detergent and water to remove Magnesium Chloride residue. **Rinse well and use extra caution when the ramp surface is wet.**

## 6. MAXIMUM HEIGHT LIMITS

| Ramp Length | Occupied*   | Unoccupied** |
|-------------|-------------|--------------|
| 3'          | 6" maximum  | 9" maximum   |
| 4'          | 8" maximum  | 12" maximum  |
| 5'          | 10" maximum | 15" maximum  |
| 6'          | 12" maximum | 18" maximum  |
| 7'          | 14" maximum | 21" maximum  |
| 8'          | 16" maximum | 24" maximum  |
| 9'          | 18" maximum | 27" maximum  |
| 10'         | 20" maximum | 30" maximum  |

**IMPORTANT:** Refer to your equipment's (wheelchair or scooter) Owner Guide for the proper degree of incline/decline and chair direction before attempting ramp use. Never exceed its recommendations.